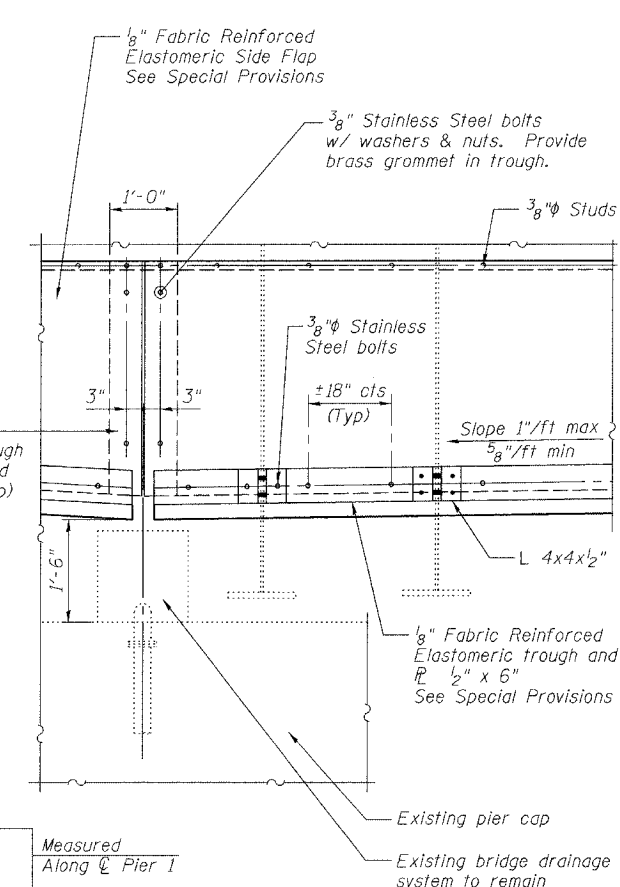
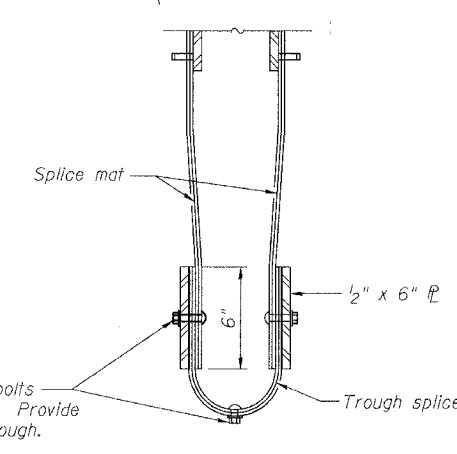
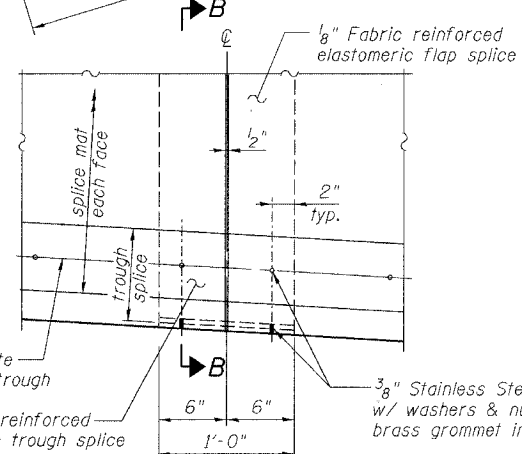
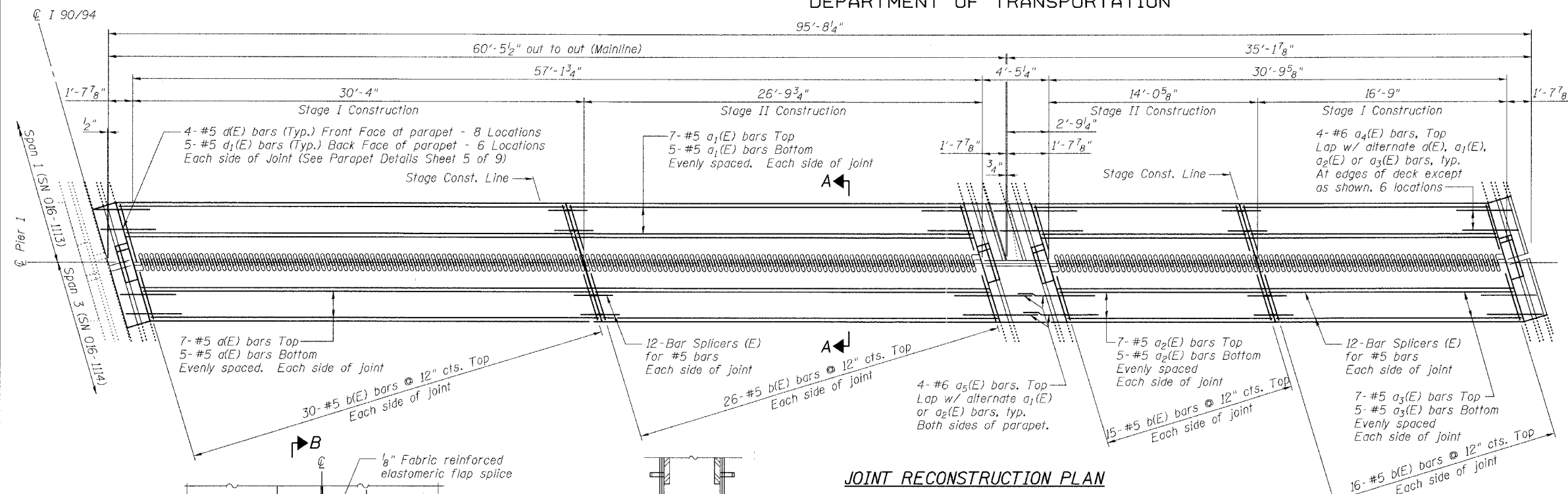
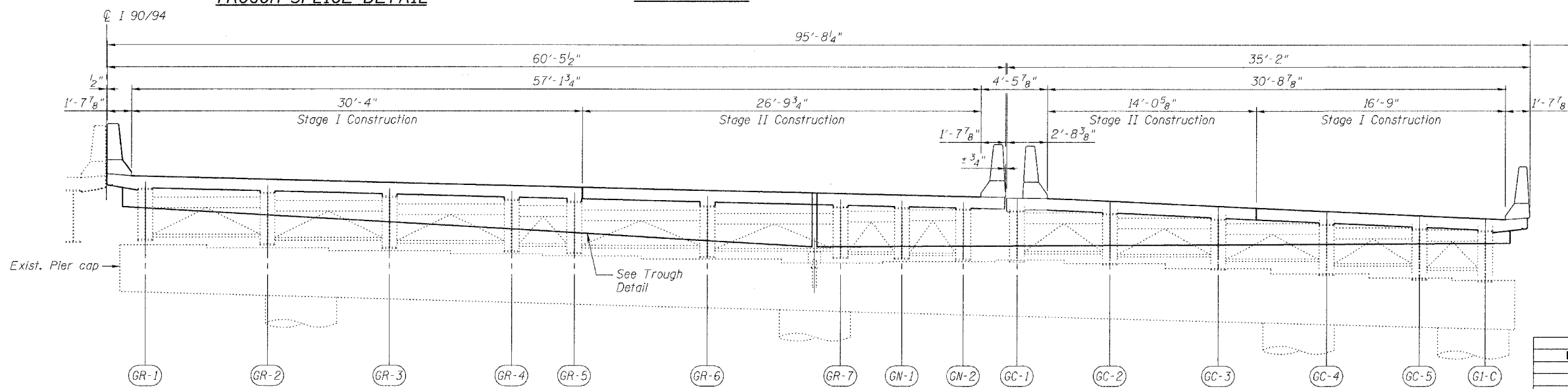


STATE OF ILLINOIS
DEPARTMENT OF TRANSPORTATION

ROUTE NO. FA1 90/94	SECTION *	COUNTY COOK	SHEET NO. 419	SHEET 205	SHEET NO. 3 9 SHEETS
FED. ROAD DIST. NO. 2005-008F Contract #62580		ILLINOIS	FED. AID PROJECT		



- Notes:
1. For Parapet Details and Superstructure Bill of Material, see Sheet 5 of 9.
 2. For Section A-A, see Sheet 4 of 9.



REVISIONS	
NAME	DATE

ILLINOIS DEPARTMENT OF TRANSPORTATION
PIER 1 JOINT DETAILS

F.A.I. ROUTE 90/94 NORTHBOUND (DAN RYAN EXPRESSWAY)
OVER SOUTH BRANCH - CHICAGO RIVER
COOK COUNTY
S.N. 016-1113 - PIER 1

SCALE: VERT. HORIZ.
DATE: 3/22/05

DRAWN BY: LANDREY
DESIGNED BY: SANFORD
CHECKED BY: -

GREENE & BRADFORD, INC.
OF SPRINGFIELD

COMPUTER FILE NO.
04286-W01-NB-PJ1
PROJECT 04286-W01
8/3/05-MML

FILE NAME = SP1TS0105.DRV = SPLOTTER.D
PLOT SCALE = 8/3/2005
PLOT DATE = 3:46:44 AM
PLOT TIME = 3:46:44 AM
OPERATOR = michelle