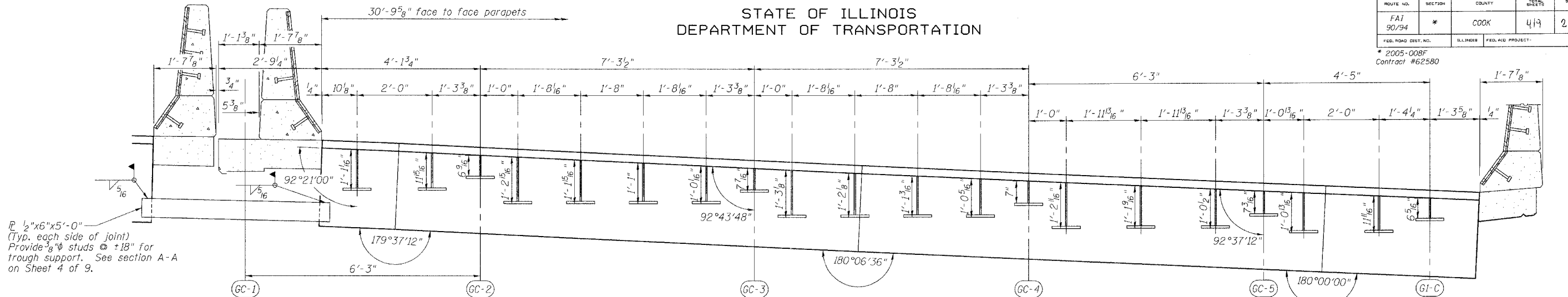


STATE OF ILLINOIS
DEPARTMENT OF TRANSPORTATION

ROUTE NO.	SECTION	COUNTY	TOTAL SHEETS	SHEET NO.
FAI 90/94	*	COOK	419	210
FED. ROAD DIST. NO.	ILLINOIS	FED. AID PROJECT-		

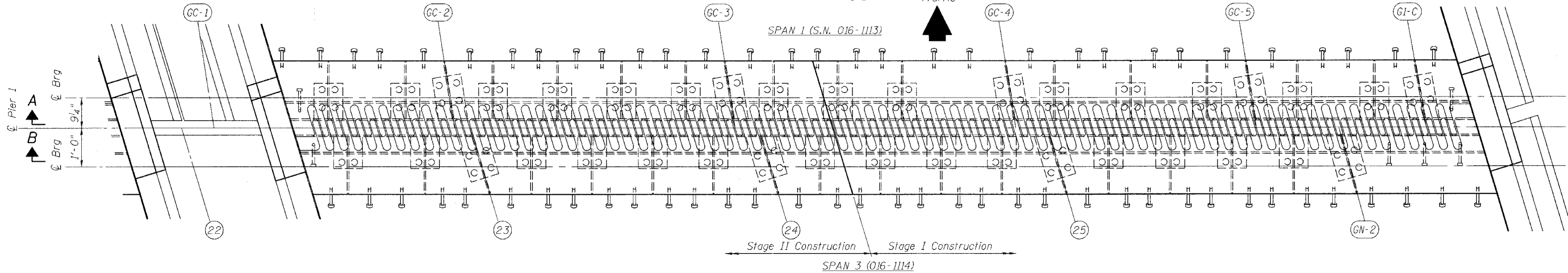
SHEET NO. 8
9 SHEETS

* 2005-008F
Contract #62580

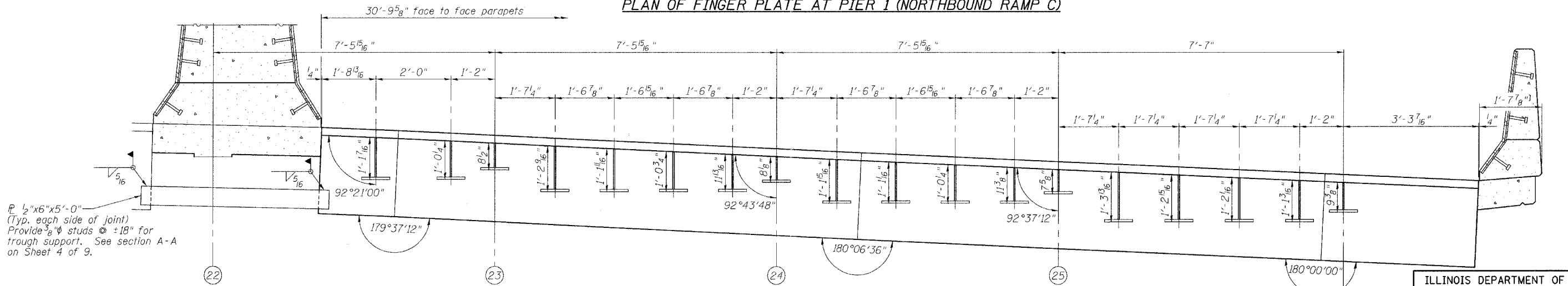


1/2"x6"x5'-0"
(Typ. each side of joint)
Provide 3/8" studs @ ±18" for
trough support. See section A-A
on Sheet 4 of 9.

SECTION A-A
(Dimensions are along C/Pier)



PLAN OF FINGER PLATE AT PIER 1 (NORTHBOUND RAMP C)



1/2"x6"x5'-0"
(Typ. each side of joint)
Provide 3/8" studs @ ±18" for
trough support. See section A-A
on Sheet 4 of 9.

SECTION B-B
(Dimensions are along C/Pier)

Note: Any structural steel prime coat removed for, or damaged by field welding shall be replaced in accordance with Section 506.05 of the Standard Specifications. Cost included with "Erecting Structural Steel".

REVISIONS	
NAME	DATE

ILLINOIS DEPARTMENT OF TRANSPORTATION
FINGER PLATE PLAN AND ELEVATION

F.A.I. ROUTE 90/94 NORTHBOUND (DAN RYAN EXPRESSWAY)
OVER SOUTH BRANCH - CHICAGO RIVER
COOK COUNTY
S.N. 016-1113 - PIER 1

SCALE: VERT. _____
HORIZ. _____
DATE: 3/22/05

DRAWN BY: LANDREY
DESIGNED BY: SANFORD
CHECKED BY: _____

GREENE & BRADFORD, INC.
OF SPRINGFIELD

COMPUTER FILE NO.
04286-W01-NB-PE3
PROJECT 04286-W01
8/3/05-MML

FILE NAME = 807322005.DRV = \$PLOTTERS
PLOT SCALE = 8/3/22005
PLOT DATE = 9:46:11 AM
PLOT TIME = 9:46:11 AM
OPERATOR = mitchell