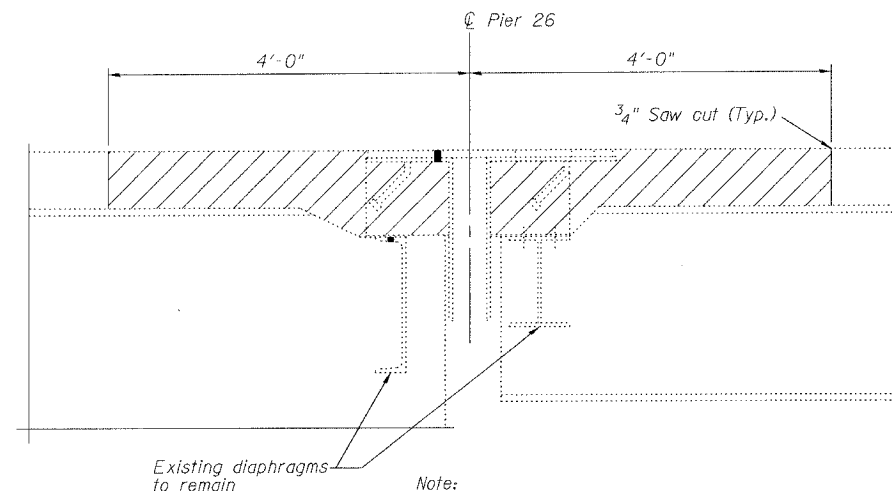
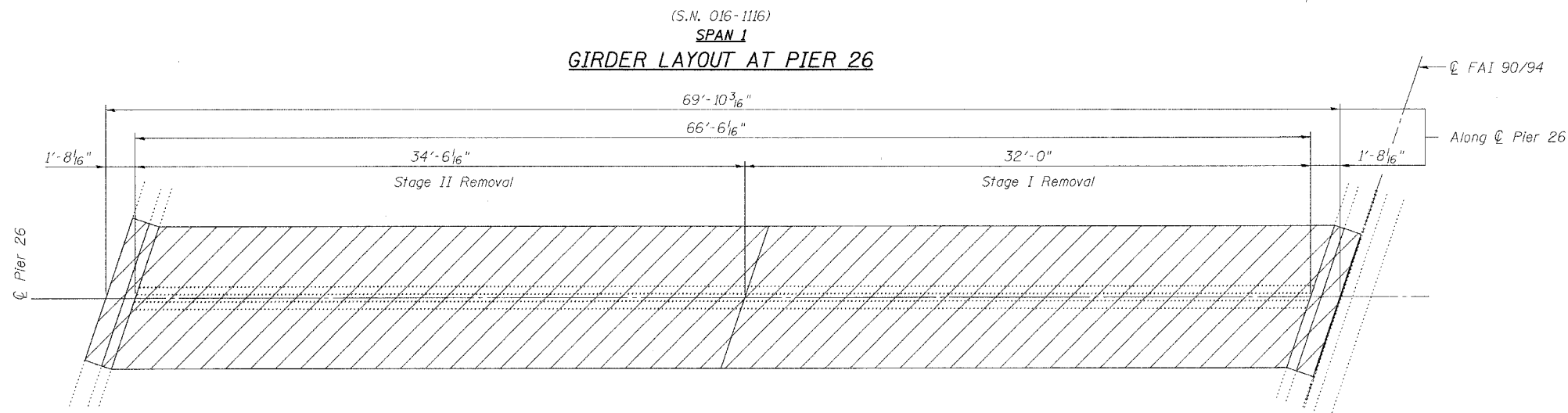
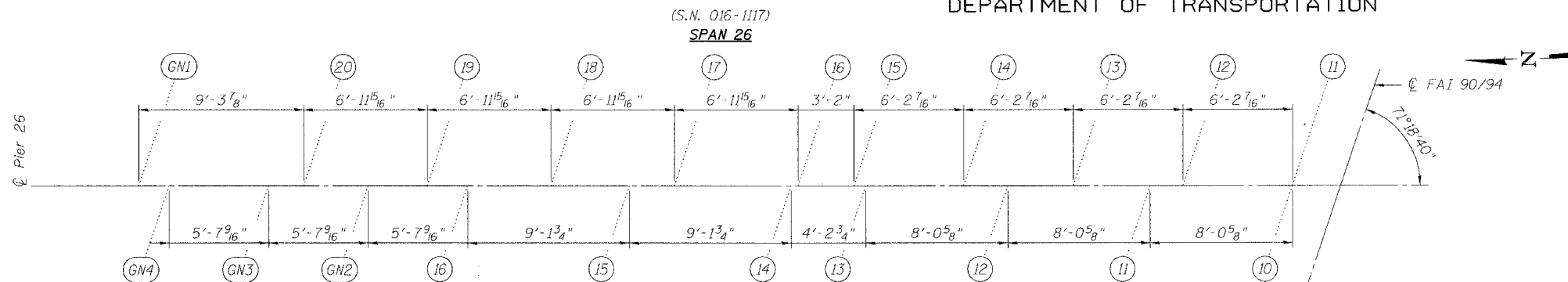


STATE OF ILLINOIS
DEPARTMENT OF TRANSPORTATION

ROUTE NO.	SECTION	COUNTY	SHEETS	SHEET NO.
FAI 90/94	*	COOK	419	213
FED. ROAD DIST. NO.	ILLINOIS	FED. AID PROJECT		
* 2005 - 008F Contract #62580				

SHEET NO. 2
8 SHEETS

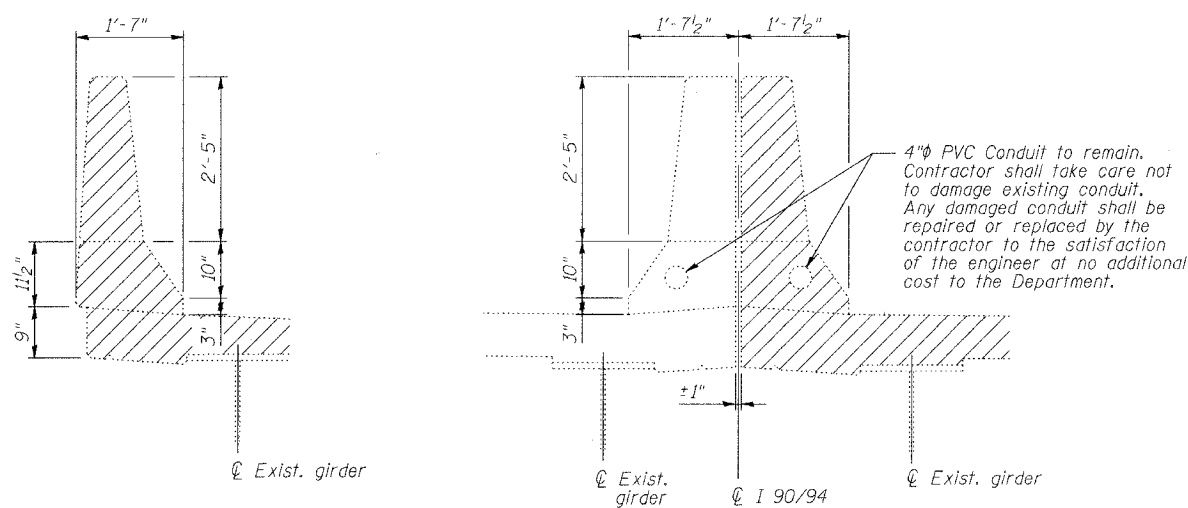


Note:
Any reinforcement bars that are damaged during concrete removal operations shall be repaired or replaced using an approved bar splicer or anchorage system. Cost included with "Concrete Removal".

Existing finger plates, stools, drainage trough and hardware shall be removed. Cost included with "Concrete Removal".

SECTION AT EXISTING FINGER PLATE
(Dimensions at Rt. L's)

JOINT REMOVAL PLAN AT PIER 26



Notes:

Hatched Area indicates "Concrete Removal". Existing transverse bars in the deck are placed at right angles to Roadway. Existing transverse bars extending into removal areas shall be cut to miss the new finger joint, cleaned and incorporated into the new construction.

Longitudinal reinforcement extending into removal areas shall be cleaned, straightened and incorporated into the new construction except as noted on Section A-A on Sheet 5.

REVISIONS	
NAME	DATE

ILLINOIS DEPARTMENT OF TRANSPORTATION
FINGER PLATE EXPANSION JOINT REMOVAL DETAILS
F.A.I. ROUTE 90/94 NORTHBOUND (DAN RYAN EXPRESSWAY)
OVER 28th ST. TO S. STEWART ST.
COOK COUNTY
S.N. 016-1117 - PIER 26

SCALE: VERT. DATE: 2/17/05
DRAWN BY: HEBERLING
DESIGNED BY: SANFORD
CHECKED BY: [Signature]
COMPUTER FILE NO. 04286-W03-REM
PROJECT 04286-W03
8/3/05-MML

GREENE & BRADFORD, INC.
OF SPRINGFIELD
CONSULTING ENGINEERS
PROFESSIONAL ENGINEERS
PROFESSIONAL ARCHITECTS
PROFESSIONAL LANDSCAPE ARCHITECTS
PROFESSIONAL SURVEYORS
PROFESSIONAL CIVIL ENGINEERS
PROFESSIONAL ELECTRICAL ENGINEERS
PROFESSIONAL MECHANICAL ENGINEERS
PROFESSIONAL CHEMICAL ENGINEERS
PROFESSIONAL INDUSTRIAL ENGINEERS
PROFESSIONAL AERONAUTICAL ENGINEERS
PROFESSIONAL AGRICULTURAL ENGINEERS
PROFESSIONAL METALLURGICAL ENGINEERS
PROFESSIONAL NUCLEAR ENGINEERS
PROFESSIONAL PETROLEUM ENGINEERS
PROFESSIONAL TRANSPORTATION ENGINEERS
PROFESSIONAL ENVIRONMENTAL ENGINEERS
PROFESSIONAL MARINE ENGINEERS
PROFESSIONAL POLYMER ENGINEERS
PROFESSIONAL RADIATION ENGINEERS
PROFESSIONAL THERMAL ENGINEERS
PROFESSIONAL WIND ENGINEERS
PROFESSIONAL ACOUSTICAL ENGINEERS
PROFESSIONAL VIBRATION ENGINEERS
PROFESSIONAL OPTICAL ENGINEERS
PROFESSIONAL LASER ENGINEERS
PROFESSIONAL MICROWAVE ENGINEERS
PROFESSIONAL RADIATION EFFECTS ENGINEERS
PROFESSIONAL RADIATION PROTECTION ENGINEERS
PROFESSIONAL RADIATION PHYSICS ENGINEERS
PROFESSIONAL RADIATION CHEMISTRY ENGINEERS
PROFESSIONAL RADIATION BIOLOGY ENGINEERS
PROFESSIONAL RADIATION MEDICINE ENGINEERS
PROFESSIONAL RADIATION PHYSICS ENGINEERS
PROFESSIONAL RADIATION CHEMISTRY ENGINEERS
PROFESSIONAL RADIATION BIOLOGY ENGINEERS
PROFESSIONAL RADIATION MEDICINE ENGINEERS

FILE NAME = 04286-W03-REM.DWG
PLOT SCALE = 1/8" = 1'-0"
PLOT DATE = 8/3/2005
PLOT TIME = 9:46:53 AM
OPERATOR = michelle