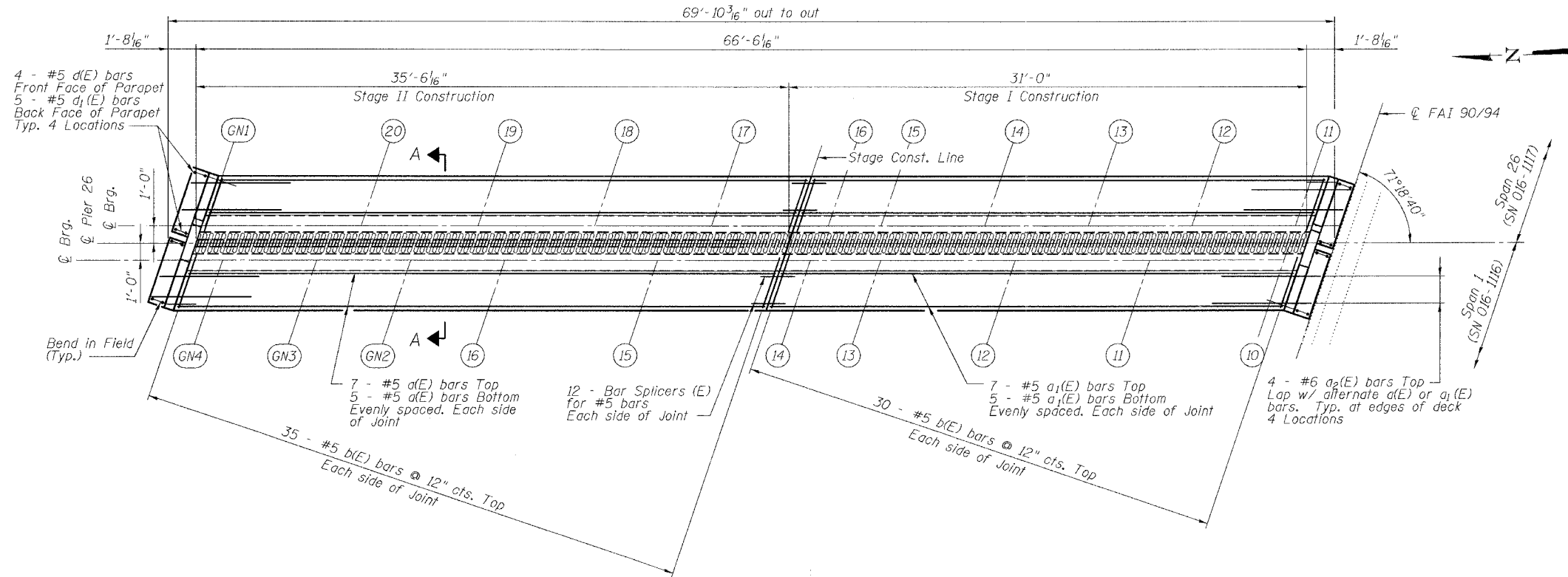


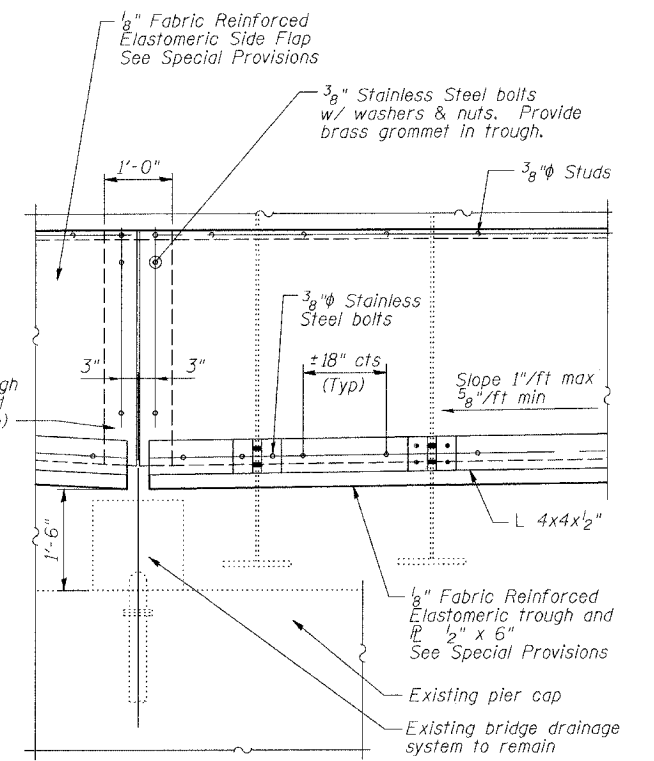
STATE OF ILLINOIS
DEPARTMENT OF TRANSPORTATION

ROUTE NO.	SECTION	COUNTY	TOTAL SHEETS	SHEET NO.	SHEET NO. 3
FAI 90/94	*	COOK	419	214	8 SHEETS
FED. ROAD DIST. NO.	ILLINOIS	FED. AID PROJECT			

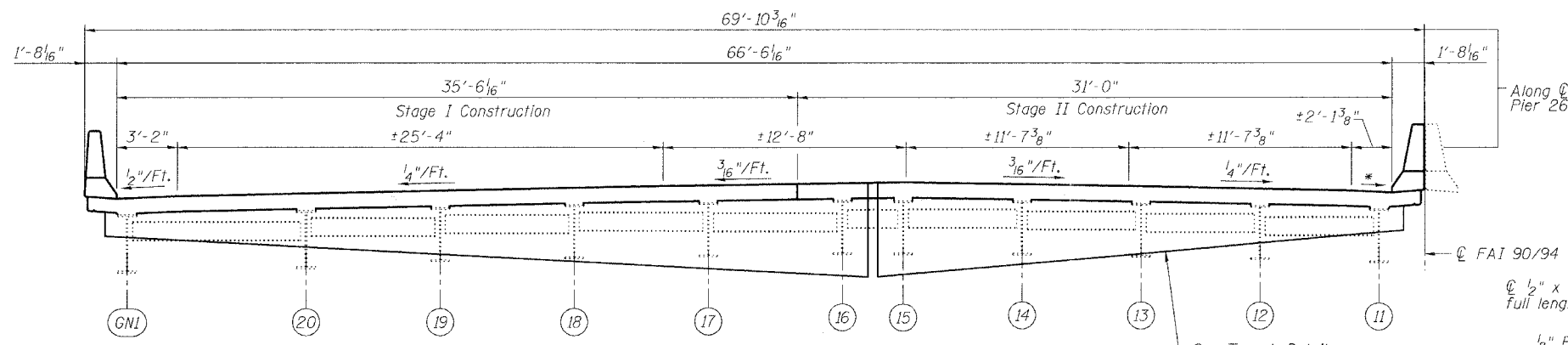
* 2005 - 008F
Contract #62580



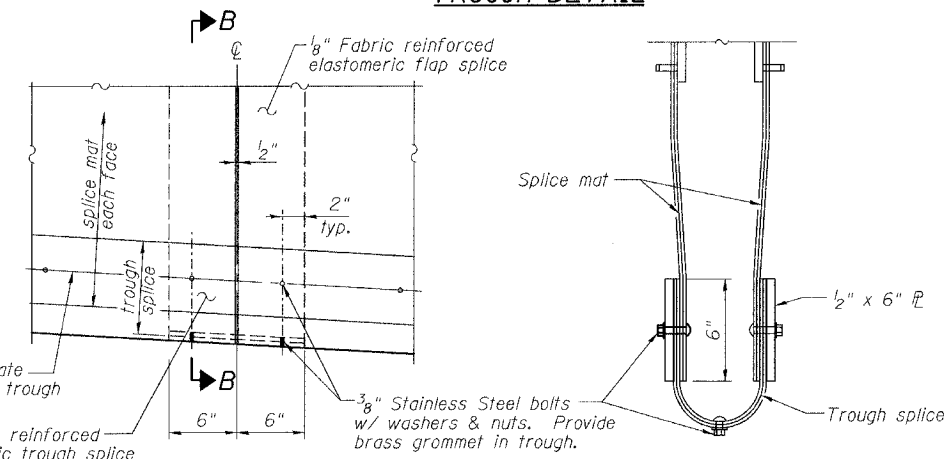
JOINT RECONSTRUCTION PLAN



TROUGH DETAIL



ELEVATION (LOOKING EAST)
(Showing Span 26 Configuration)



TROUGH SPLICE DETAIL

SECTION B-B

Notes:

1. For Parapet Details and Superstructure Bill of Material, see Sheet 5 of 8.
2. For Section A-A, see Sheet 4 of 8.
3. Deck cross slopes shown are at right angles to \bar{C} Rdwy.

REVISIONS	
NAME	DATE

ILLINOIS DEPARTMENT OF TRANSPORTATION
PIER 26 JOINT DETAILS

F.A.I. ROUTE 90/94 NORTHBOUND (DAN RYAN EXPRESSWAY)
OVER 28th ST. TO S. STEWART ST.
COOK COUNTY
S.N. 016-1117 - PIER 26

SCALE: VERT. _____
HORIZ. _____
DATE: 2/17/05

DRAWN BY: HEBERLING
DESIGNED BY: SANFORD
CHECKED BY: _____

GREENE & BRADFORD, INC.
CONSULTING ENGINEERS
OF SPRINGFIELD

COMPUTER FILE NO.
04286-W03-PJ1

PROJECT 04286-W03
8/3/05-MML

FILE NAME = 80116.dwg
PLOT SCALE = 8/3/2005
PLOT DATE = 8/3/2005
PLOT TIME = 9:46:49 AM
OPERATOR = michellel