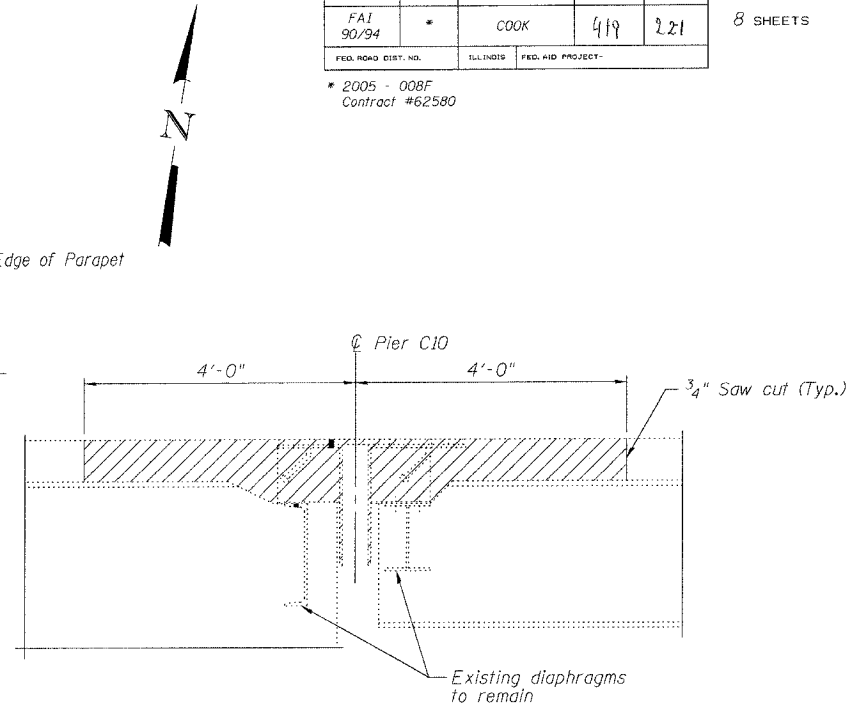
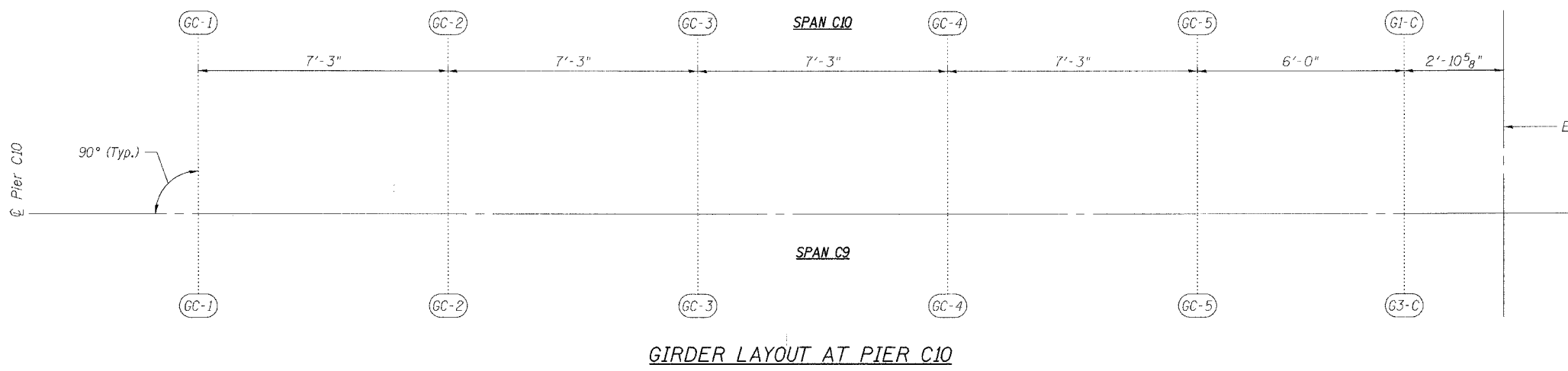


STATE OF ILLINOIS  
DEPARTMENT OF TRANSPORTATION

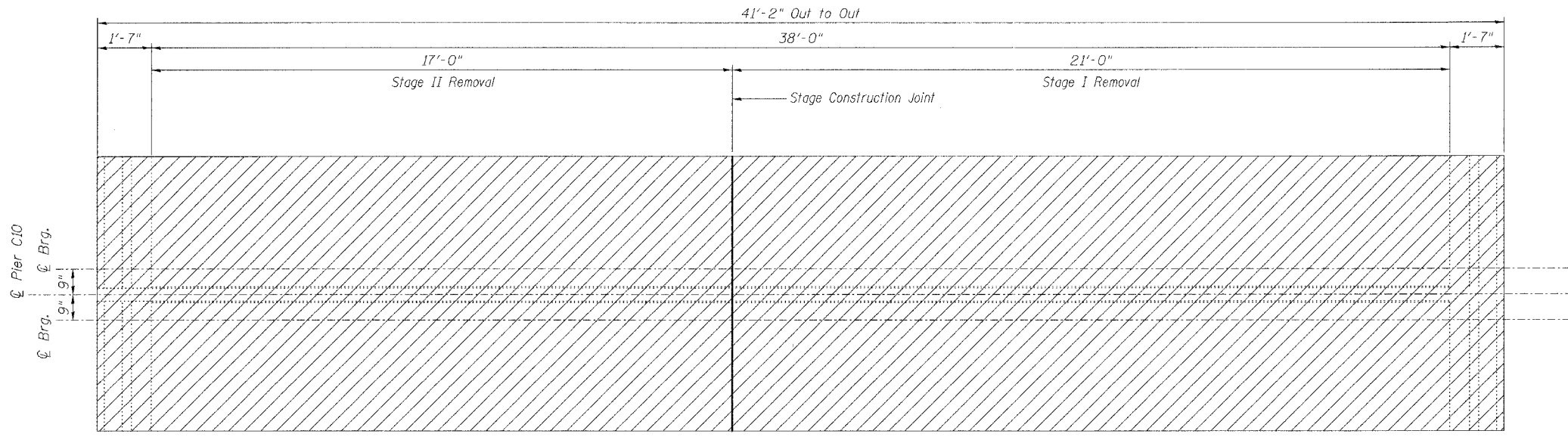
ROUTE NO.	SECTION	COUNTY	TOTAL SHEETS	SHEET NO.	SHEET NO. 2 8 SHEETS
FAI 90/94	*	COOK	419	221	
FED. ROAD DIST. NO.		ILLINOIS	FED. AID PROJECT		

\* 2005 - 008F  
Contract #62580

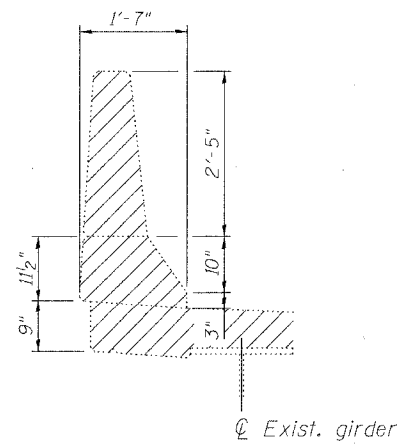


Note:  
Any reinforcement bars that are damaged during concrete removal operations shall be repaired or replaced using an approved bar splicer or anchorage system. Cost included with "Concrete Removal".  
Existing finger plates, stools, drainage trough and hardware shall be removed. Cost included with "Concrete Removal".

**SECTION AT EXISTING FINGER PLATE**



**JOINT REMOVAL PLAN AT PIER C10**



**DETAIL AT EXISTING OUTSIDE PARAPET**

Notes:  
Hatched Area indicates "Concrete Removal".  
Longitudinal reinforcement extending into removal areas shall be cleaned, straightened and incorporated into the new construction except as noted on Section A-A on Sheet 4.

REVISIONS	
NAME	DATE

ILLINOIS DEPARTMENT OF TRANSPORTATION  
**FINGER PLATE EXPANSION JOINT REMOVAL DETAILS**  
F.A.I. ROUTE 90/94 NORTHBOUND (DAN RYAN EXPRESSWAY)  
OVER SOUTH BRANCH - CHICAGO RIVER  
COOK COUNTY  
S.N. 016-1113 - PIER C10

SCALE: VERT.      DRAWN BY: HEBERLING  
                  HORIZ.      DESIGNED BY: SANFORD  
DATE: 2/17/05      CHECKED BY:      -

**GREENE & BRADFORD, INC.**  
CONSULTING ENGINEERS  
OF SPRINGFIELD  
PROFESSIONAL ENGINEERS  
011 781 8844, 202 775 9277 #1, #2, #3, #4, #5, #6, #7, #8, #9, #10, #11, #12, #13, #14, #15, #16, #17, #18, #19, #20, #21, #22, #23, #24, #25, #26, #27, #28, #29, #30, #31, #32, #33, #34, #35, #36, #37, #38, #39, #40, #41, #42, #43, #44, #45, #46, #47, #48, #49, #50, #51, #52, #53, #54, #55, #56, #57, #58, #59, #60, #61, #62, #63, #64, #65, #66, #67, #68, #69, #70, #71, #72, #73, #74, #75, #76, #77, #78, #79, #80, #81, #82, #83, #84, #85, #86, #87, #88, #89, #90, #91, #92, #93, #94, #95, #96, #97, #98, #99, #100

COMPUTER FILE NO.  
04286-W04-REM  
PROJECT 04286-W04  
8/3/05-MML

FILE NAME = \$FILES\$  
PLOT DATE = 8/17/2005  
PLOT TIME = 9:47:20 AM  
OPERATOR = mchelliel