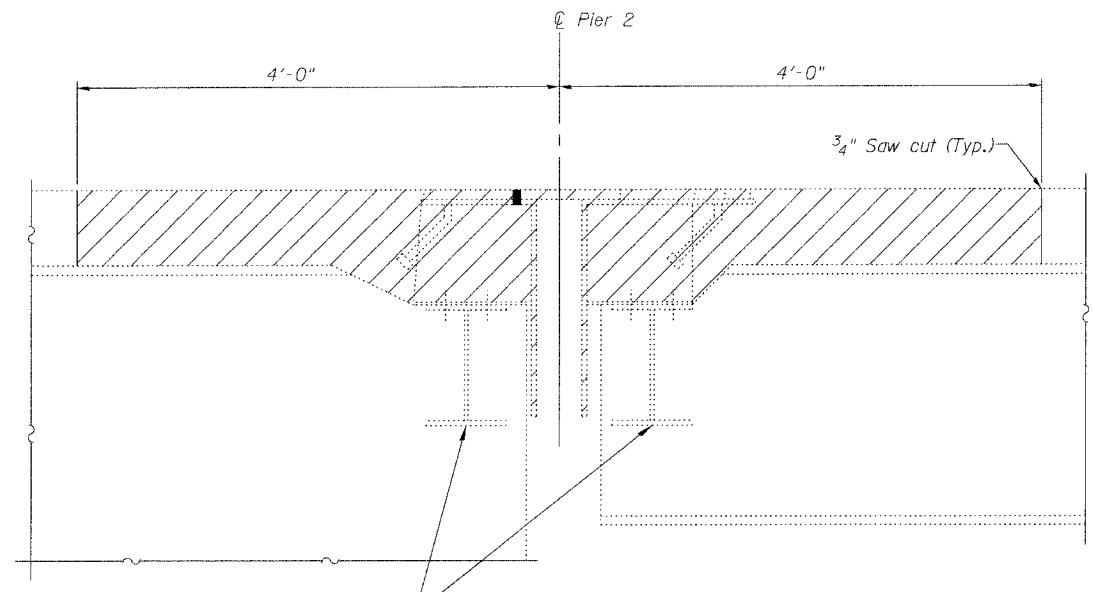
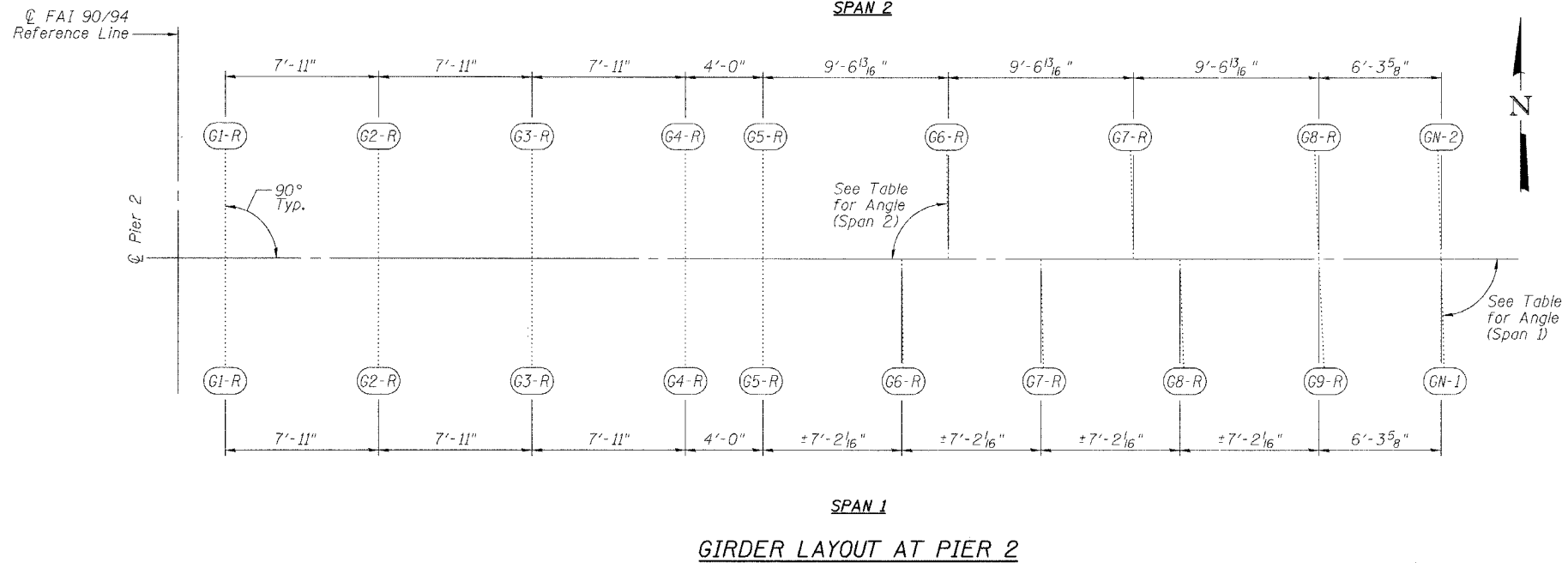


STATE OF ILLINOIS  
DEPARTMENT OF TRANSPORTATION

ROUTE NO.	SECTION	COUNTY	TOTAL SHEETS	SHEET NO.	SHEET NO. 2 8 SHEETS
FAJ 90/94	*	COOK	419	229	
FED. ROAD DIST. NO.		ILL. PROJ. NO.	FED. AID PROJECT NO.		
* 2005-008F		Contract #62580			

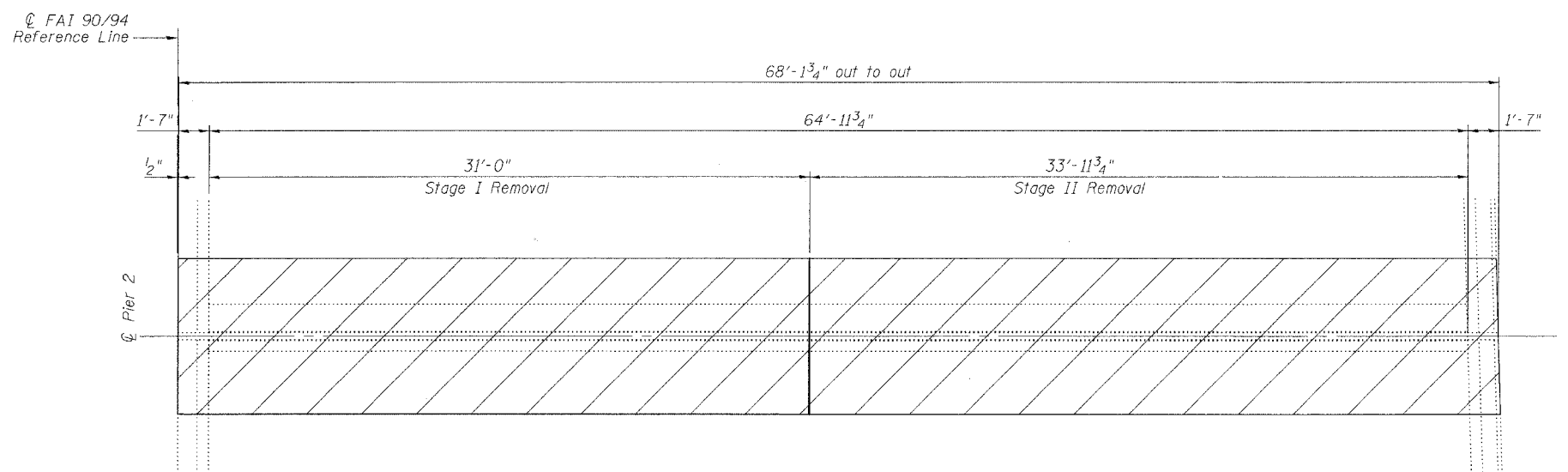
Girder	Angle	
	Span 1	Span 2
G6-R	89°17'55"	89°15'01"
G7-R	88°35'50"	88°30'03"
G8-R	87°53'47"	87°45'07"
G9-R	87°11'47"	-
GN-1	88°20'15"	-
GN-2	-	88°19'38"



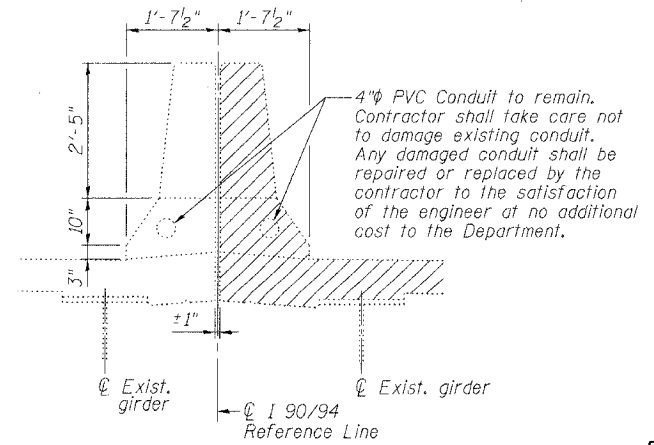
Note:  
Any reinforcement bars that are damaged during concrete removal operations shall be repaired or replaced using an approved bar splicer or anchorage system. Cost included with "Concrete Removal".

Existing finger plates, stools, drainage trough and hardware shall be removed. Cost included with "Concrete Removal".

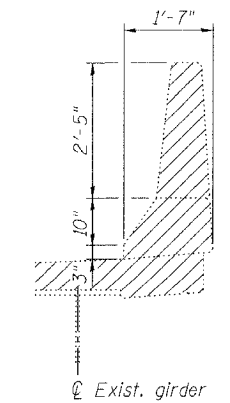
SECTION AT EXISTING FINGER PLATE



JOINT REMOVAL PLAN AT PIER 2



DETAIL AT EXISTING MEDIAN PARAPET



DETAIL AT EXISTING OUTSIDE PARAPET

Notes:  
Hatched Area indicates "Concrete Removal".  
Longitudinal reinforcement extending into removal areas shall be cleaned, straightened and incorporated into the new construction except as noted on Section A-A on Sheet 5.

REVISIONS	
NAME	DATE

ILLINOIS DEPARTMENT OF TRANSPORTATION  
**FINGER PLATE EXPANSION JOINT REMOVAL DETAILS**  
F.A.I. ROUTE 90/94 NORTHBOUND (DAN RYAN EXPRESSWAY)  
16TH STREET TO 18TH STREET  
COOK COUNTY  
S.N. 016-1111 - PIER 2

SCALE: VERT. \_\_\_\_\_  
HORIZ. \_\_\_\_\_  
DATE: 3/28/05

DRAWN BY: LANDREY  
DESIGNED BY: SANFORD  
CHECKED BY: \_\_\_\_\_

GREENE & BRADFORD, INC.  
CONSULTING ENGINEERS  
OF SPRINGFIELD  
1211 W. 84th, Ste. 100, P.O. Box 1000, Springfield, IL 62762  
TEL: 217-223-1111 FAX: 217-223-1112

COMPUTER FILE NO.  
04286-W05-NB-REM  
PROJECT 04286-W05  
6/28/05-MML

FILE NAME = \$FILES\$  
PLOT SCALE = \$PLOTSCALE\$  
PLOT DATE = \$PLOTDATE\$  
PLOT OPERATOR = \$PLOTOPERATOR\$