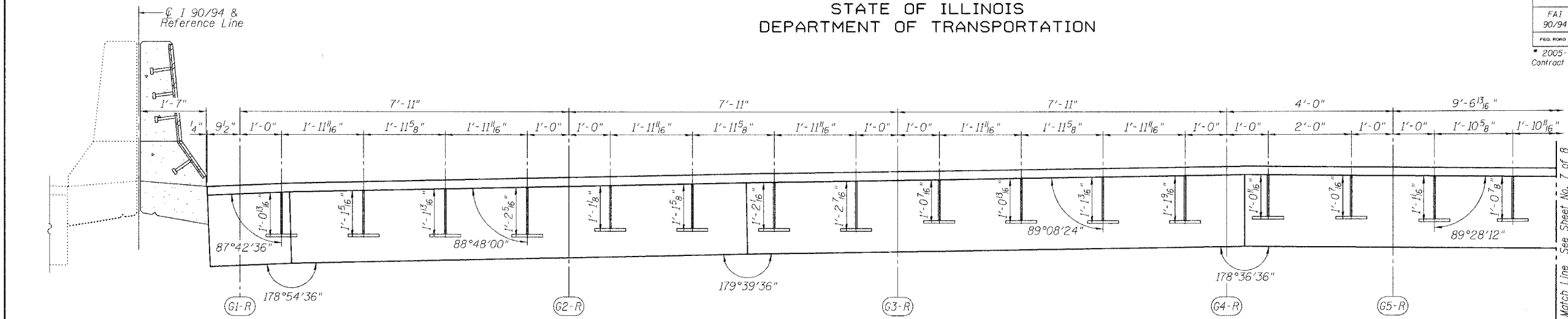


STATE OF ILLINOIS
DEPARTMENT OF TRANSPORTATION

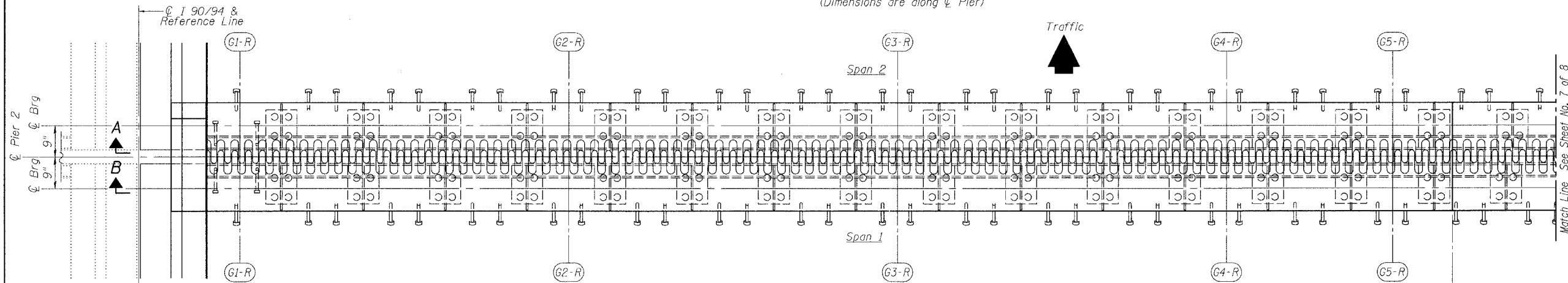
ROUTE NO. FA1 90/94	SECTION *	COUNTY COOK	TOTAL SHEETS 419	SHEET NO. 233
FED. ROAD DIST. NO.		ILLINOIS	FED. AID PROJECT	

SHEET NO. 6
8 SHEETS

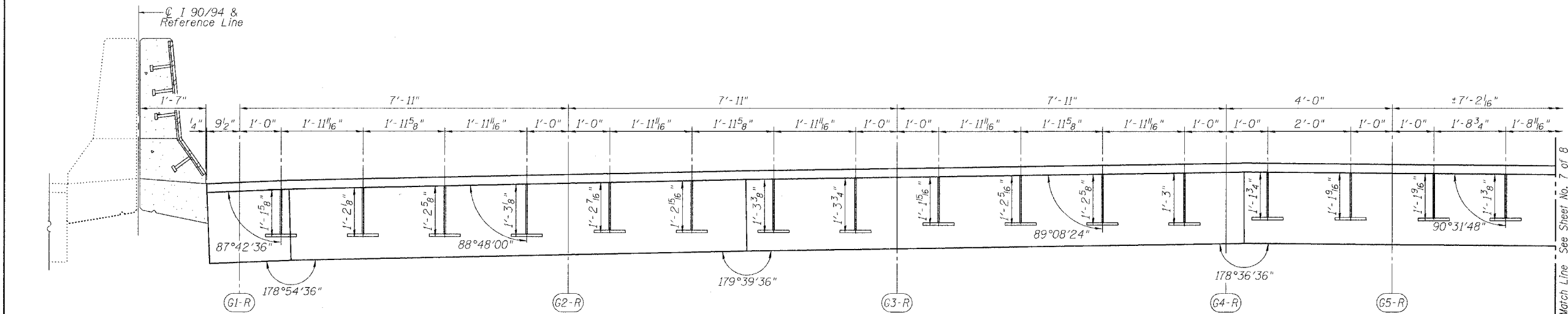
* 2005-008F
Contract #62580



SECTION A-A
(Dimensions are along Q Pier)



PLAN OF FINGER PLATE AT PIER 2



SECTION B-B
(Dimensions are along Q Pier)

REVISIONS	
NAME	DATE

ILLINOIS DEPARTMENT OF TRANSPORTATION
FINGER PLATE PLAN AND ELEVATION

F.A.I. ROUTE 90/94 NORTHBOUND (DAN RYAN EXPRESSWAY)
16TH STREET TO 18TH STREET
COOK COUNTY
S.N. 016-1111 - PIER 2

SCALE: VERT.
HORIZ.
DATE: 3/28/05

DRAWN BY: LANDREY
DESIGNED BY: SANFORD
CHECKED BY:



COMPUTER FILE NO.
04286-W05-NB-PE1
PROJECT 04286-W05
6/28/05-MML

FILE NAME = \$FILE\$
PLOT SCALE = \$PLOTSCALE\$
PLOT DATE = 8/3/2005
OPERATOR = MICHAEL