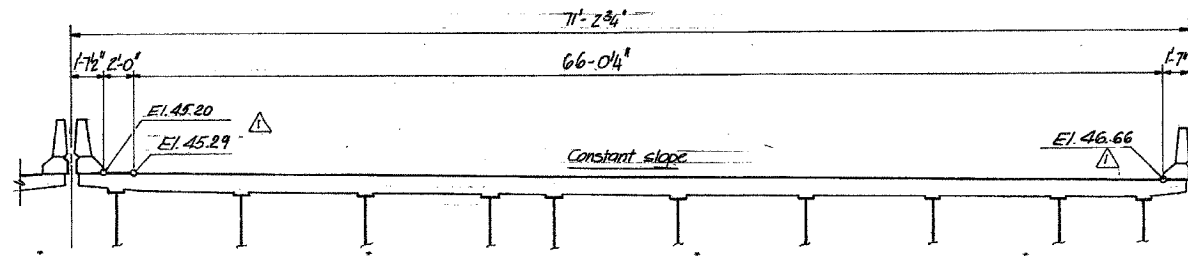
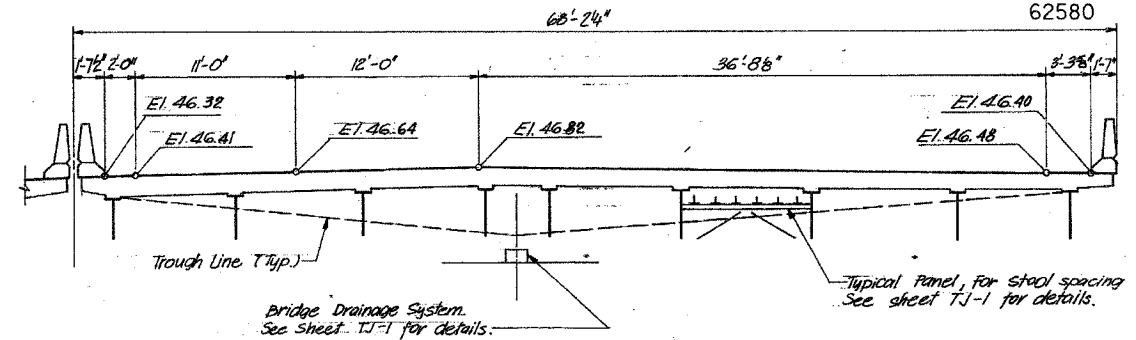


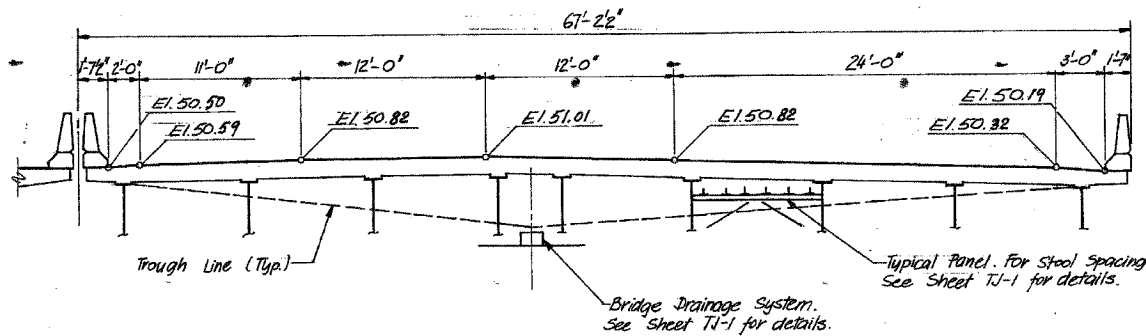
F.A.I.	SECTION	COUNTY	TOTAL SHEETS	SHEET NO.
94/90	2003-028F	COOK	419	317
STA.		TO STA.		
FED. ROAD DIST. NO.		ILLINOIS FED. AID PROJECT		



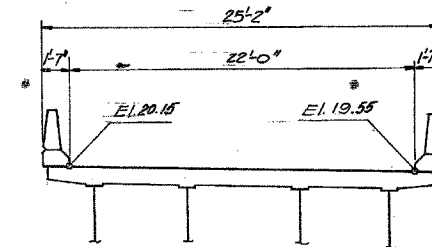
**EXPANSION JOINT AT PIER No. 1**  
2 1/2 in. PREFORMED JOINT SEAL



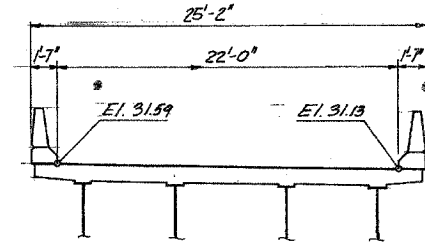
**EXPANSION JOINT AT PIER No. 2**  
4 1/2 in. FINGER PLATE



**EXPANSION JOINT AT PIER No. 7**  
4 1/2 in. FINGER PLATE



**EXPANSION JOINT AT PIER No. E5**  
2 in. NEOPRENE EXP. JOINT



**EXPANSION JOINT AT PIER No. E8**  
2 1/2 in. NEOPRENE EXP. JOINT

- Notes:
1. All dimensions are along Centerline of Joint.
  2. For details see sheets TJ1, TJ2 & TJ3.
  3. All Sections looking up-station.

SHEET C 28 OF C 51

REVISIONS	
Name	Date

STATE OF ILLINOIS  
DEPARTMENT OF TRANSPORTATION  
F.A.I. ROUTE 90/94 (DAN RYAN EXPRESSWAY)  
SECTION 1905 - OTTUM - COOK COUNTY  
N.B. MAINLINE RECONSTRUCTION  
STRUCTURE 016-1111  
TRANSVERSE DECK JOINT ELEVATION  
Scale: NONE  
Date: AUG., 1988  
Drawn By:  
Checked By:  
ENVIRONMENTAL ENGINEERS INC.  
Chicago, Illinois

REVISIONS	
NAME	DATE

ILLINOIS DEPARTMENT OF TRANSPORTATION  
F.A.I. 94/90 (DAN RYAN EXPRESSWAY)  
NB DAN RYAN ELEVATED BRIDGE  
REPAIR FROM 15TH TO 28TH STREETS  
EXISTING PLAN INFORMATION  
SN 016-1111  
SCALE: NTS  
DATE: 10/14/2005  
DRAWN BY: BDC  
CHECKED BY: BLU

BOWMAN, BARRETT & ASSOCIATES INC.  
CONSULTING ENGINEERS  
Chicago, Illinois  
312.228.0100  
www.bbainc.com

FOR INFORMATION ONLY

12-1-88