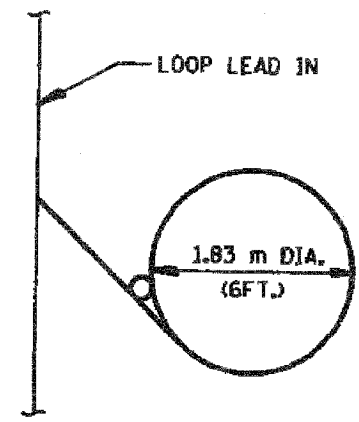
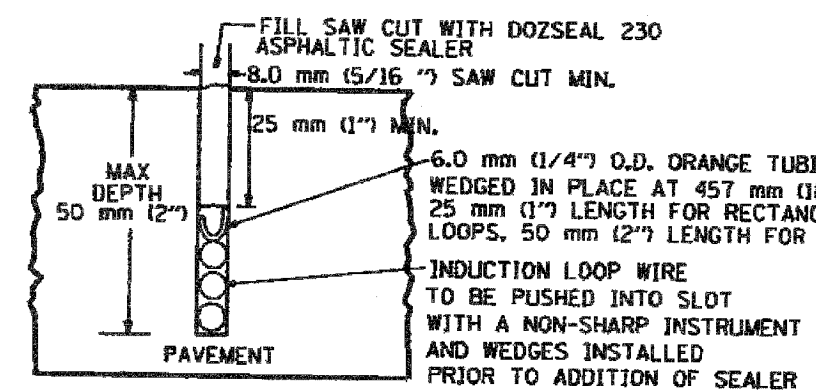
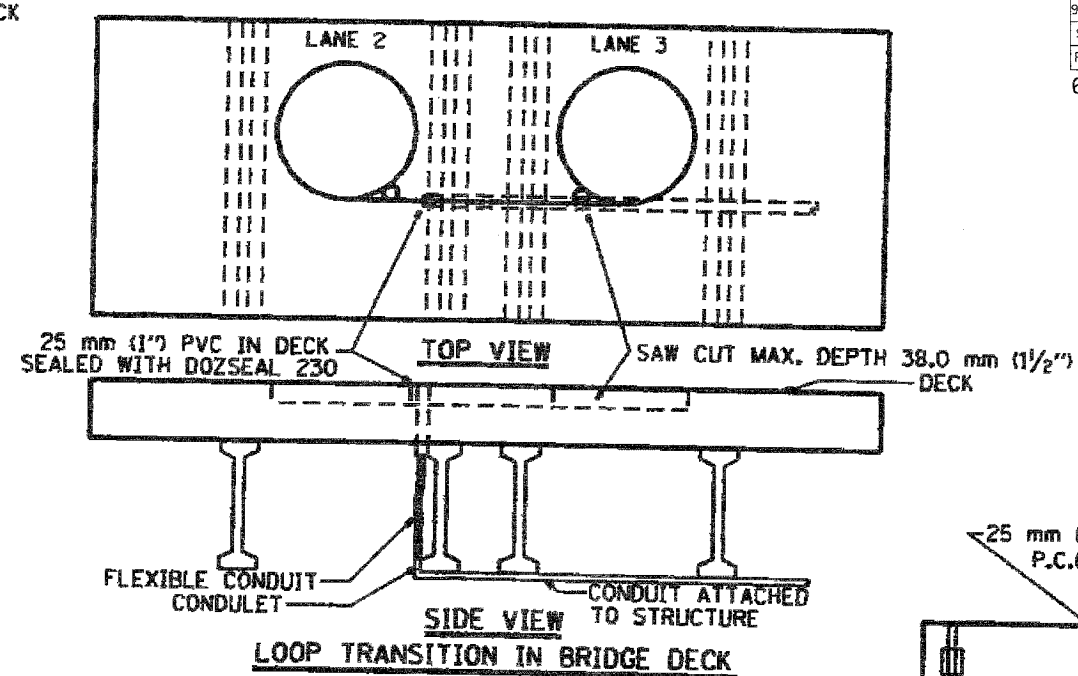
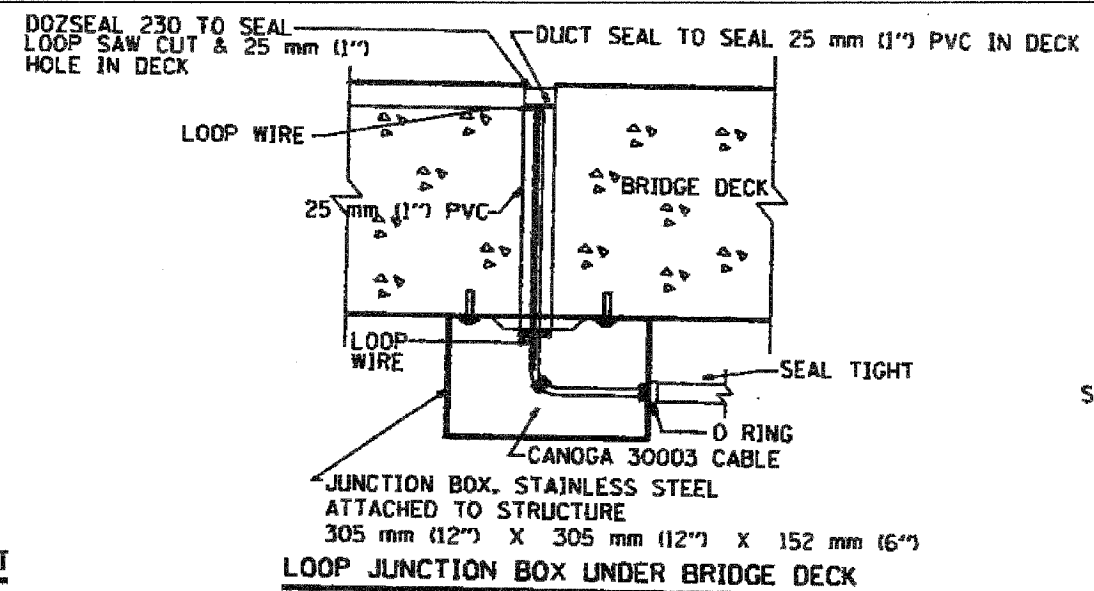


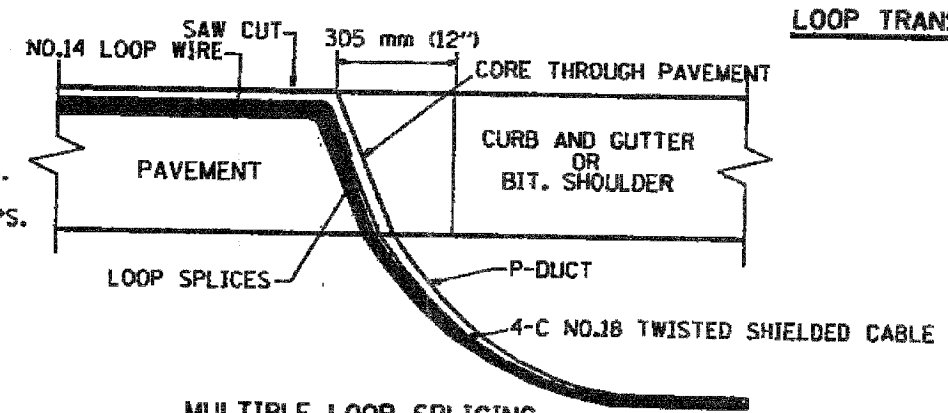
F.A.I.	SECTION	COUNTY	TOTAL SHEETS	SHEET NO.
94/90	2003-028F	COOK	419	409
STA.	TO STA.			
FED. ROAD DIST. NO.	ILLINOIS	FED. AID PROJECT		
62580				



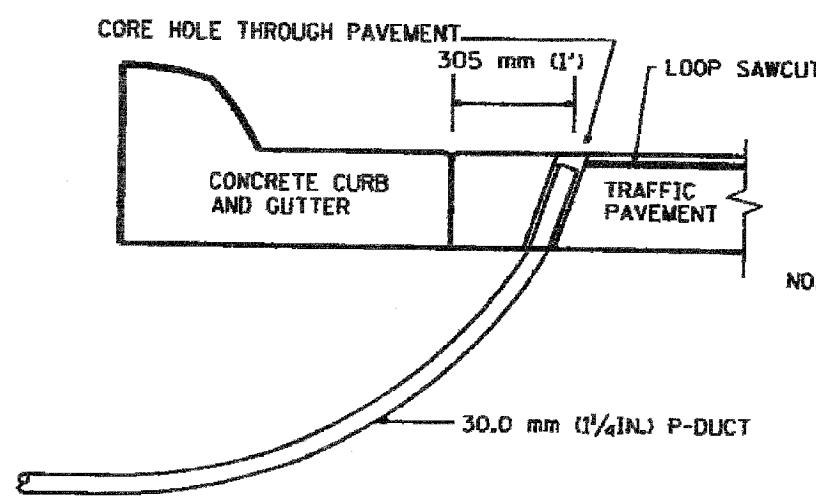
TYPICAL LOOP SAWCUT LAYOUT



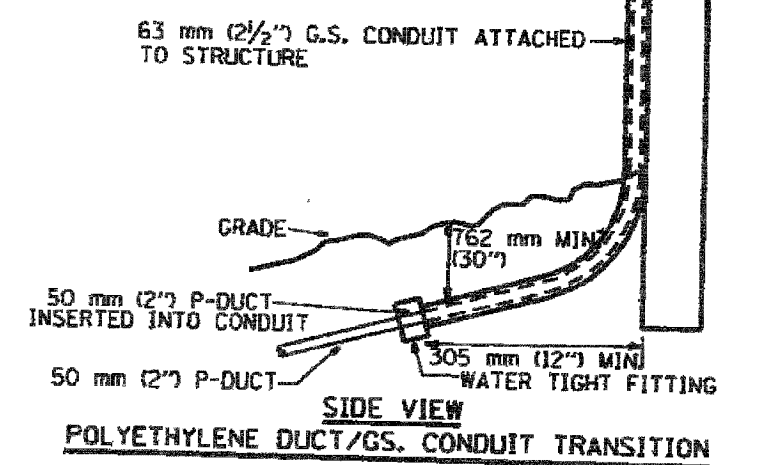
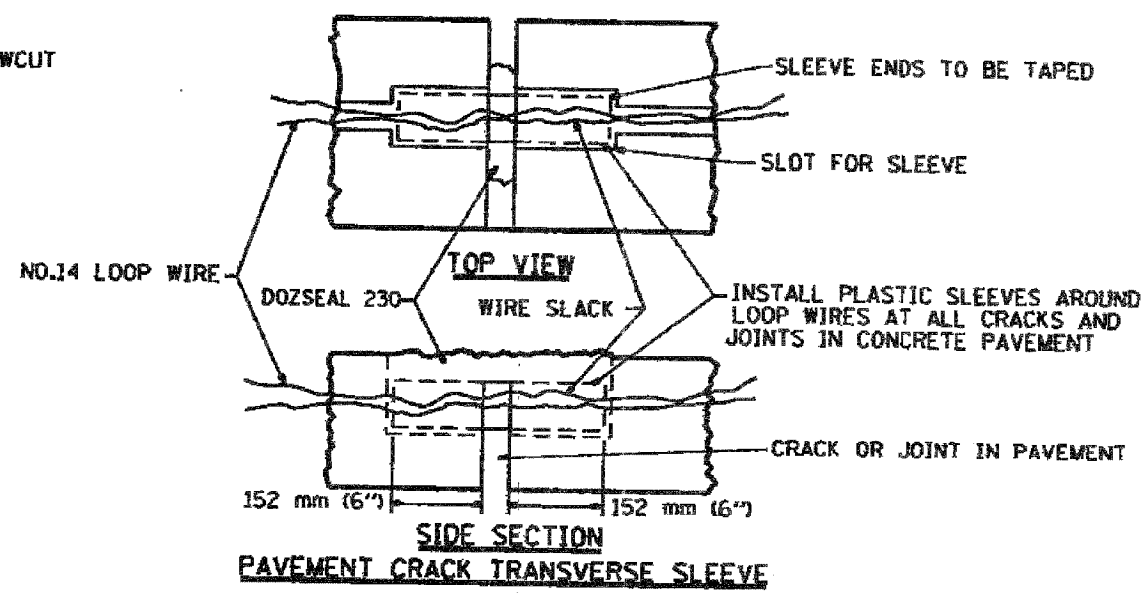
LOOP CROSS SECTION IN PAVEMENT



MULTIPLE LOOP SPLICING



SIDE SECTION LOOP LEAD-IN TRANSITION DETAIL



TSC26

REVISIONS		DATE
NAME		

ILLINOIS DEPARTMENT OF TRANSPORTATION  
 F.A.I. 94/90 (DAN RYAN EXPRESSWAY)  
 NB DAN RYAN ELEVATED BRIDGE  
 REPAIR FROM 15TH TO 28TH STREETS  
 LOOP, CONDUIT & DUCT  
 INSTALLATION DETAILS

SCALE: NTS  
 DATE: 8/12/2005

DRAWN BY:  
 CHECKED BY: