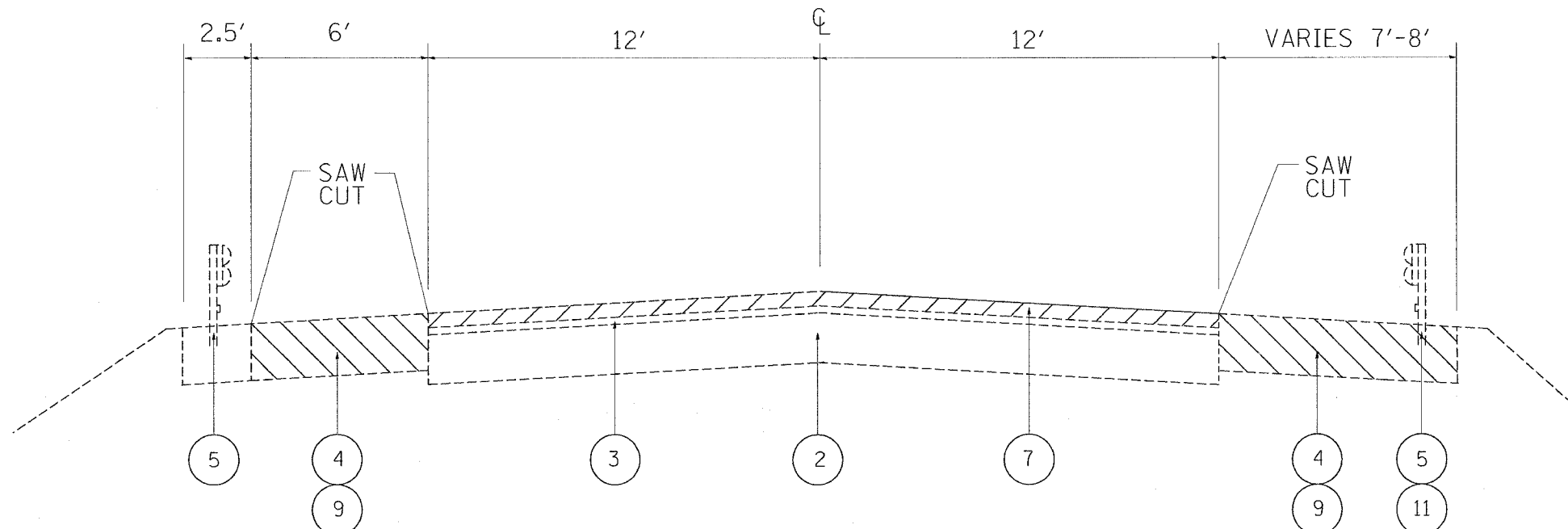
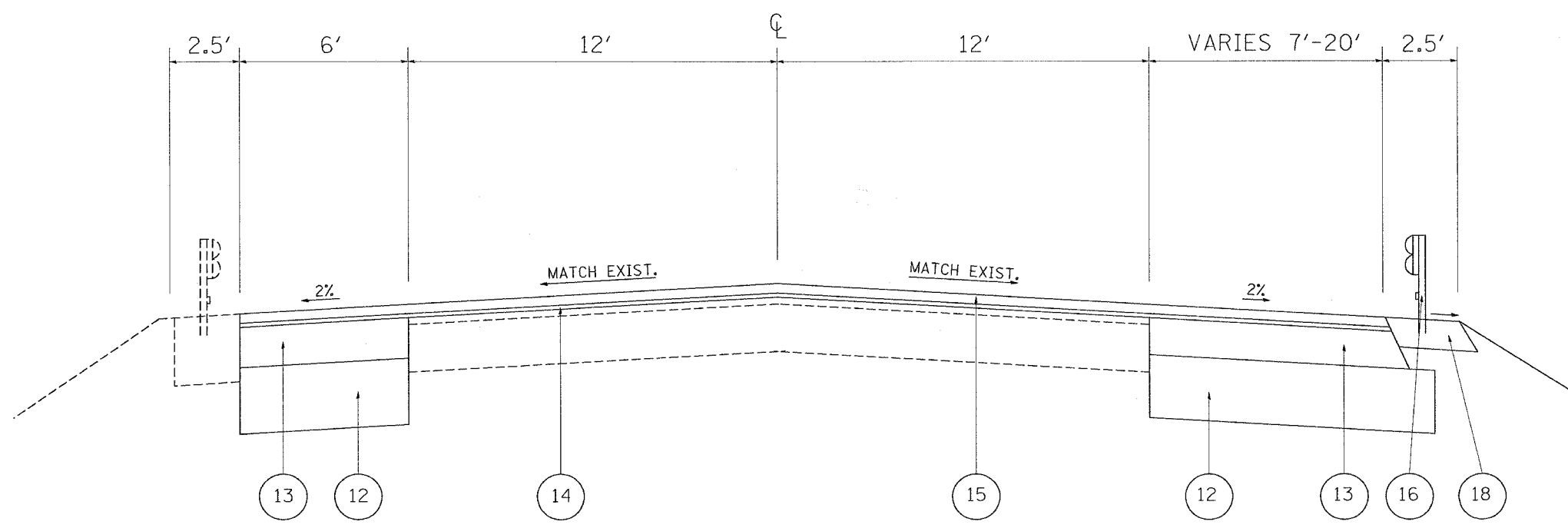


FAI	SECTION	COUNTY	TOTAL SHEETS	SHEET NO.
57	99-1-N	WILL	52	6
STA.		TO STA.		
FED. ROAD DIST. NO.	ILLINOIS	FED. AID PROJECT		

CONTRACT NO. 62834



EXISTING TYPICAL SECTION  
MANHATTAN-MONEE ROAD  
STA. 14030+71 TO STA. 14036+37



PROPOSED TYPICAL SECTION  
MANHATTAN-MONEE ROAD  
STA. 14030+71 TO STA. 14036+37

- LEGEND
- ① EXISTING P.C.C. PAVEMENT, 10.5"
  - ② EXISTING BITUMINOUS PAVEMENT, 14"
  - ③ EXISTING BITUMINOUS OVERLAY, 4"
  - ④ EXISTING BITUMINOUS SHOULDER, 12"
  - ⑤ EXISTING GUARDRAIL
  - ⑥ EXISTING CURB AND GUTTER
  - ⑦ PROPOSED BITUMINOUS SURFACE REMOVAL, 2 1/2 "
  - ⑧ PROPOSED PAVEMENT REMOVAL
  - ⑨ PROPOSED BITUMINOUS SHOULDER REMOVAL
  - ⑩ PROPOSED CURB AND GUTTER REMOVAL
  - ⑪ PROPOSED GUARDRAIL REMOVAL
  - ⑫ PROPOSED AGGREGATE SUB-GRADE, 12"
  - ⑬ PROPOSED BITUMINOUS BINDER COURSE, SUPERPAVE IL-19.0, N90, 8 1/2 "
  - ⑭ PROPOSED POLYMERIZED LEVELING BINDER (MACHINE METHOD) SUPERPAVE, IL-4.75, N50, 3/4 "
  - ⑮ PROPOSED POLYMERIZED BITUMINOUS CONCRETE SURFACE COURSE, SUPERPAVE, MIX "F", N90, 1 3/4 "
  - ⑯ PROPOSED STEEL PLATE BEAM GUARDRAIL, TYPE B
  - ⑰ PROPOSED COMBINATION CURB AND GUTTER-TYPE B-6.18
  - ⑱ PROPOSED BITUMINOUS SHOULDER, 6"
  - ⑲ PROPOSED PGES, 24"
  - ⑳ PROPOSED PIPE UNDERDRAINS, 4" (STA 14044+40 TO STA 14046+42)

REVISIONS	
NAME	DATE

ILLINOIS DEPARTMENT OF TRANSPORTATION  
FAI 57/ I-57  
@ MANHATTAN-MONEE ROAD  
EXISTING/ PROPOSED  
TYPICAL SECTIONS

SCALE: VERT. \_\_\_\_\_  
HORIZ. \_\_\_\_\_

DATE \_\_\_\_\_

DRAWN BY \_\_\_\_\_  
CHECKED BY \_\_\_\_\_

PLOT DATE = 10/16/2008  
 FILE NAME = s:\projects\14030+71\14030+71.dwg  
 PLOT SCALE = 1/4" = 1'-0"  
 REFERENCE = #REF#