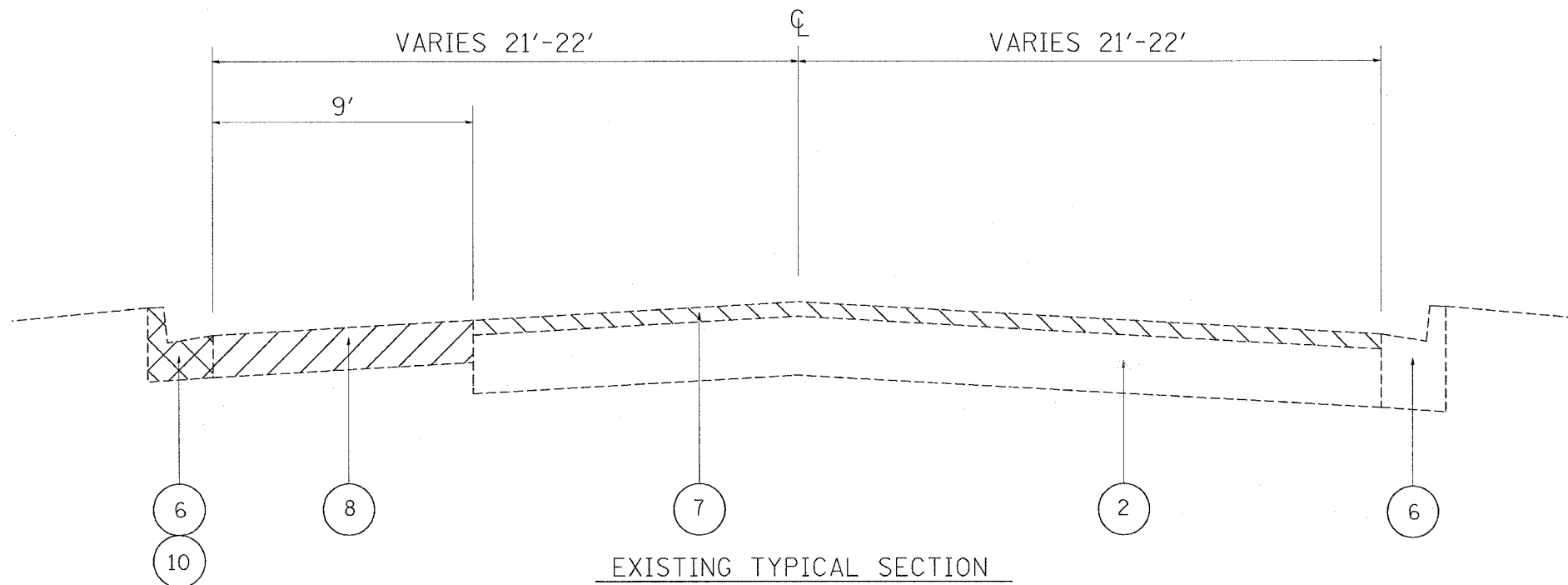


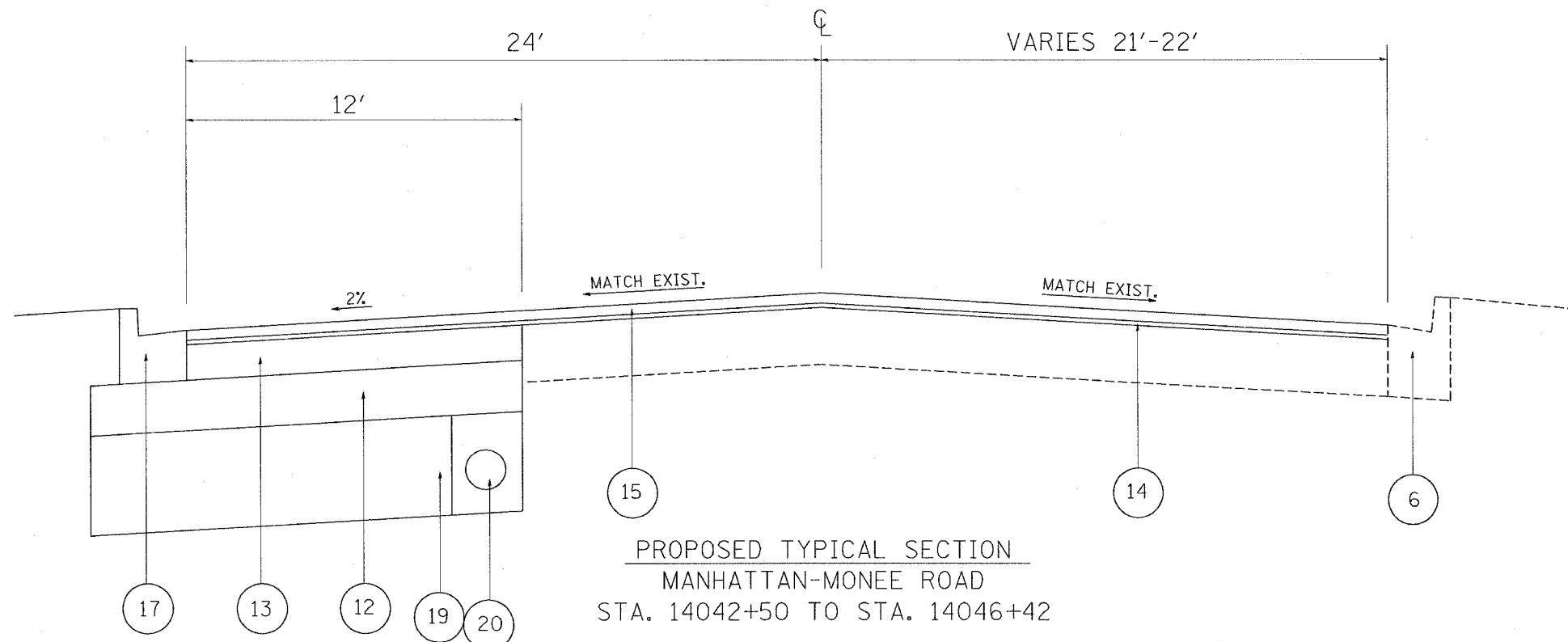
F.A.I. RTE.	SECTION	COUNTY	TOTAL SHEETS	SHEET NO.
57	99-1-N	WILL	52	8
STA.		TO STA.		
FED. ROAD DIST. NO.	ILLINOIS FED. AID PROJECT			
CONTRACT NO. 62834				



EXISTING TYPICAL SECTION
MANHATTAN-MONEE ROAD
STA. 14042+50 TO STA. 14046+42

LEGEND

- ① EXISTING P.C.C. PAVEMENT, 10.5"
- ② EXISTING BITUMINOUS PAVEMENT, 14"
- ③ EXISTING BITUMINOUS OVERLAY, 4"
- ④ EXISTING BITUMINOUS SHOULDER, 12"
- ⑤ EXISTING GUARDRAIL
- ⑥ EXISTING CURB AND GUTTER
- ⑦ PROPOSED BITUMINOUS SURFACE REMOVAL, 2 1/2 "
- ⑧ PROPOSED PAVEMENT REMOVAL
- ⑨ PROPOSED BITUMINOUS SHOULDER REMOVAL
- ⑩ PROPOSED CURB AND GUTTER REMOVAL
- ⑪ PROPOSED GUARDRAIL REMOVAL
- ⑫ PROPOSED AGGREGATE SUB-GRADE, 12"
- ⑬ PROPOSED BITUMINOUS BINDER COURSE, SUPERPAVE IL-19.0, N90, 8 1/2 "
- ⑭ PROPOSED POLYMERIZED LEVELING BINDER (MACHINE METHOD) SUPERPAVE, IL-4.75, N50, 3/4 "
- ⑮ PROPOSED POLYMERIZED BITUMINOUS CONCRETE SURFACE COURSE, SUPERPAVE, MIX "F", N90, 1 3/4 "
- ⑯ PROPOSED STEEL PLATE BEAM GUARDRAIL, TYPE B
- ⑰ PROPOSED COMBINATION CURB AND GUTTER-TYPE B-6.18
- ⑱ PROPOSED BITUMINOUS SHOULDER, 6"
- ⑲ PROPOSED PGES, 24"
- ⑳ PROPOSED PIPE UNDERDRAINS, 4" (STA 14044+40 TO STA 14046+42)



PROPOSED TYPICAL SECTION
MANHATTAN-MONEE ROAD
STA. 14042+50 TO STA. 14046+42

REVISIONS	
NAME	DATE

ILLINOIS DEPARTMENT OF TRANSPORTATION
FAI 57/ I-57
@ MANHATTAN-MONEE ROAD
EXISTING/ PROPOSED
TYPICAL SECTIONS

SCALE: VERT. _____
HORIZ. _____

DATE _____ DRAWN BY _____
CHECKED BY _____

PLOT DATE = 10/15/2005
 PLOT NAME = J:\13580A\13580A.dwg
 PLOT SCALE = 43.3333 / IN.
 REFERENCE = BREF