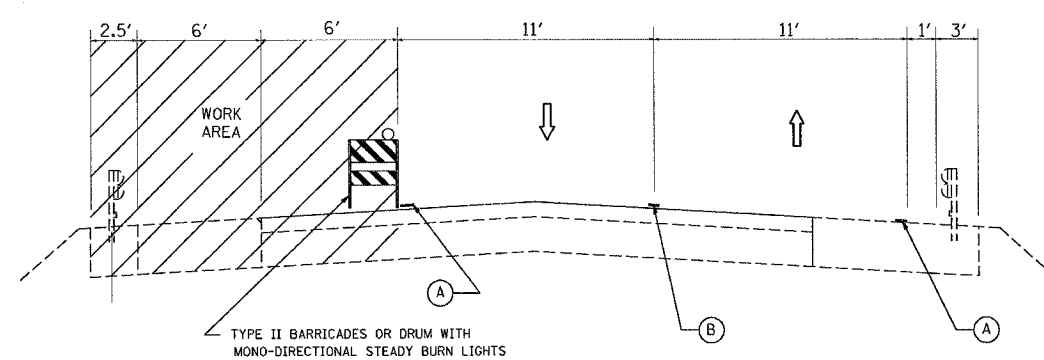
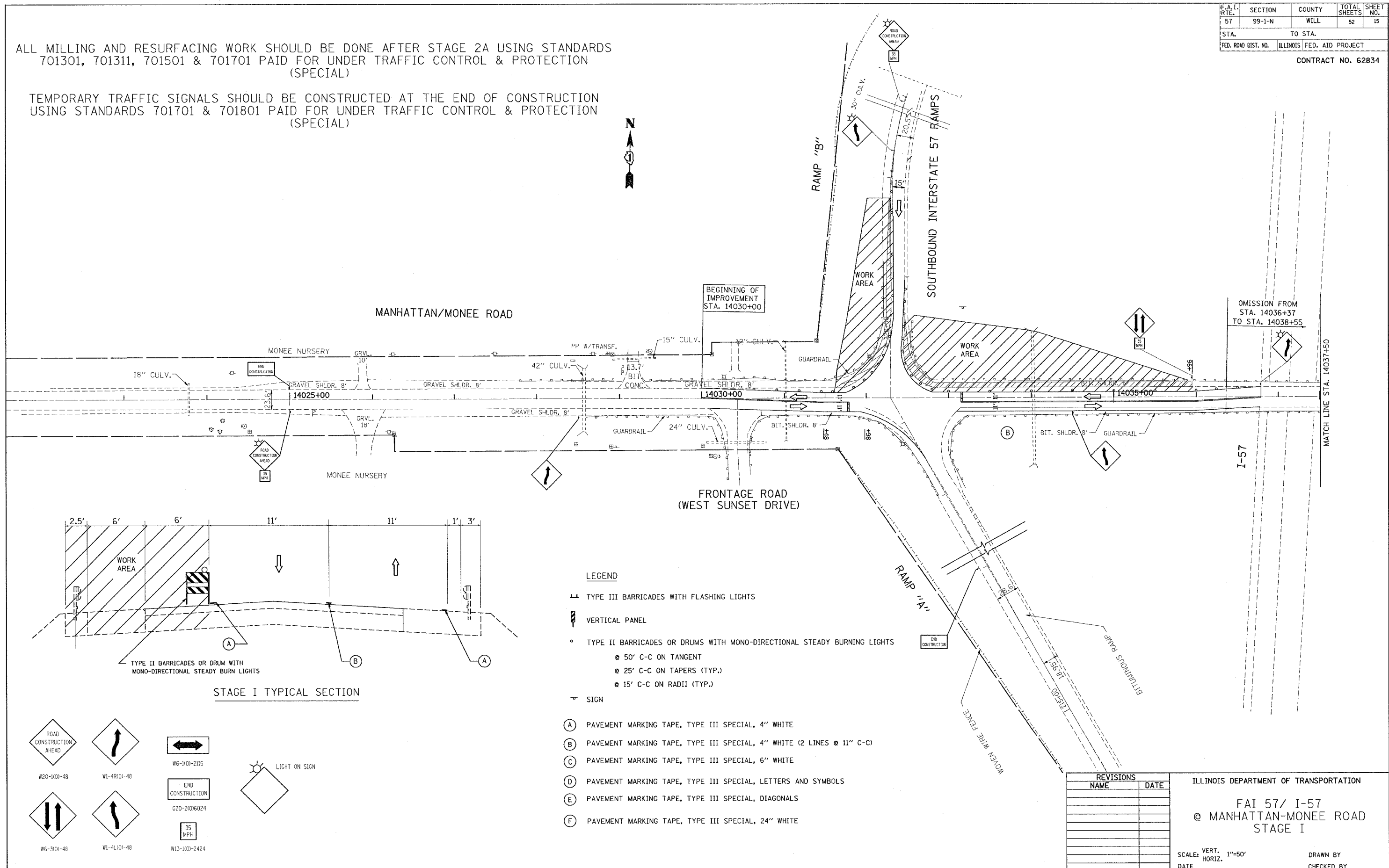


F.A.I. RTE.	SECTION	COUNTY	TOTAL SHEETS	SHEET NO.
57	99-1-N	WILL	52	15
STA.		TO STA.		
FED. ROAD DIST. NO.		ILLINOIS FED. AID PROJECT		
CONTRACT NO. 62834				

ALL MILLING AND RESURFACING WORK SHOULD BE DONE AFTER STAGE 2A USING STANDARDS 701301, 701311, 701501 & 701701 PAID FOR UNDER TRAFFIC CONTROL & PROTECTION (SPECIAL)

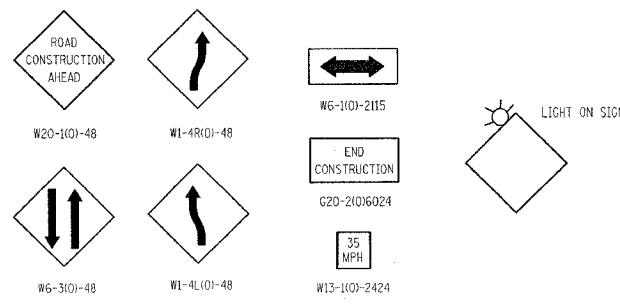
TEMPORARY TRAFFIC SIGNALS SHOULD BE CONSTRUCTED AT THE END OF CONSTRUCTION USING STANDARDS 701701 & 701801 PAID FOR UNDER TRAFFIC CONTROL & PROTECTION (SPECIAL)



STAGE I TYPICAL SECTION

LEGEND

- ⊥ TYPE III BARRICADES WITH FLASHING LIGHTS
- ▨ VERTICAL PANEL
- TYPE II BARRICADES OR DRUMS WITH MONO-DIRECTIONAL STEADY BURNING LIGHTS
 - 50' C-C ON TANGENT
 - 25' C-C ON TAPERS (TYP.)
 - 15' C-C ON RADII (TYP.)
- ⊥ SIGN
- (A) PAVEMENT MARKING TAPE, TYPE III SPECIAL, 4" WHITE
- (B) PAVEMENT MARKING TAPE, TYPE III SPECIAL, 4" WHITE (2 LINES @ 11" C-C)
- (C) PAVEMENT MARKING TAPE, TYPE III SPECIAL, 6" WHITE
- (D) PAVEMENT MARKING TAPE, TYPE III SPECIAL, LETTERS AND SYMBOLS
- (E) PAVEMENT MARKING TAPE, TYPE III SPECIAL, DIAGONALS
- (F) PAVEMENT MARKING TAPE, TYPE III SPECIAL, 24" WHITE



REVISIONS	
NAME	DATE

ILLINOIS DEPARTMENT OF TRANSPORTATION
 FAI 57/ I-57
 @ MANHATTAN-MONEE ROAD
 STAGE I
 SCALE: VERT. 1"=50'
 HORIZ. DATE
 DRAWN BY
 CHECKED BY

PLOT DATE = 10/7/2005
 FILE NAME = c:\proj\p05\ai35904\ai35904a.mxd
 PLOT SCALE = 50.00000 1/1 IN.
 REFERENCE = #REF#