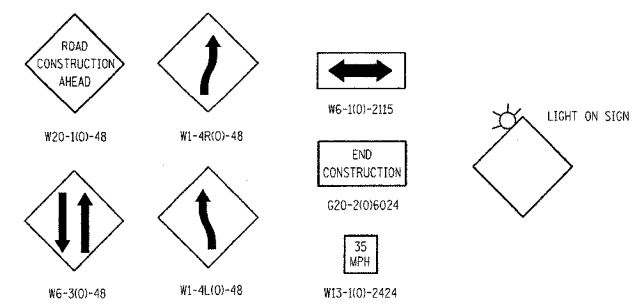
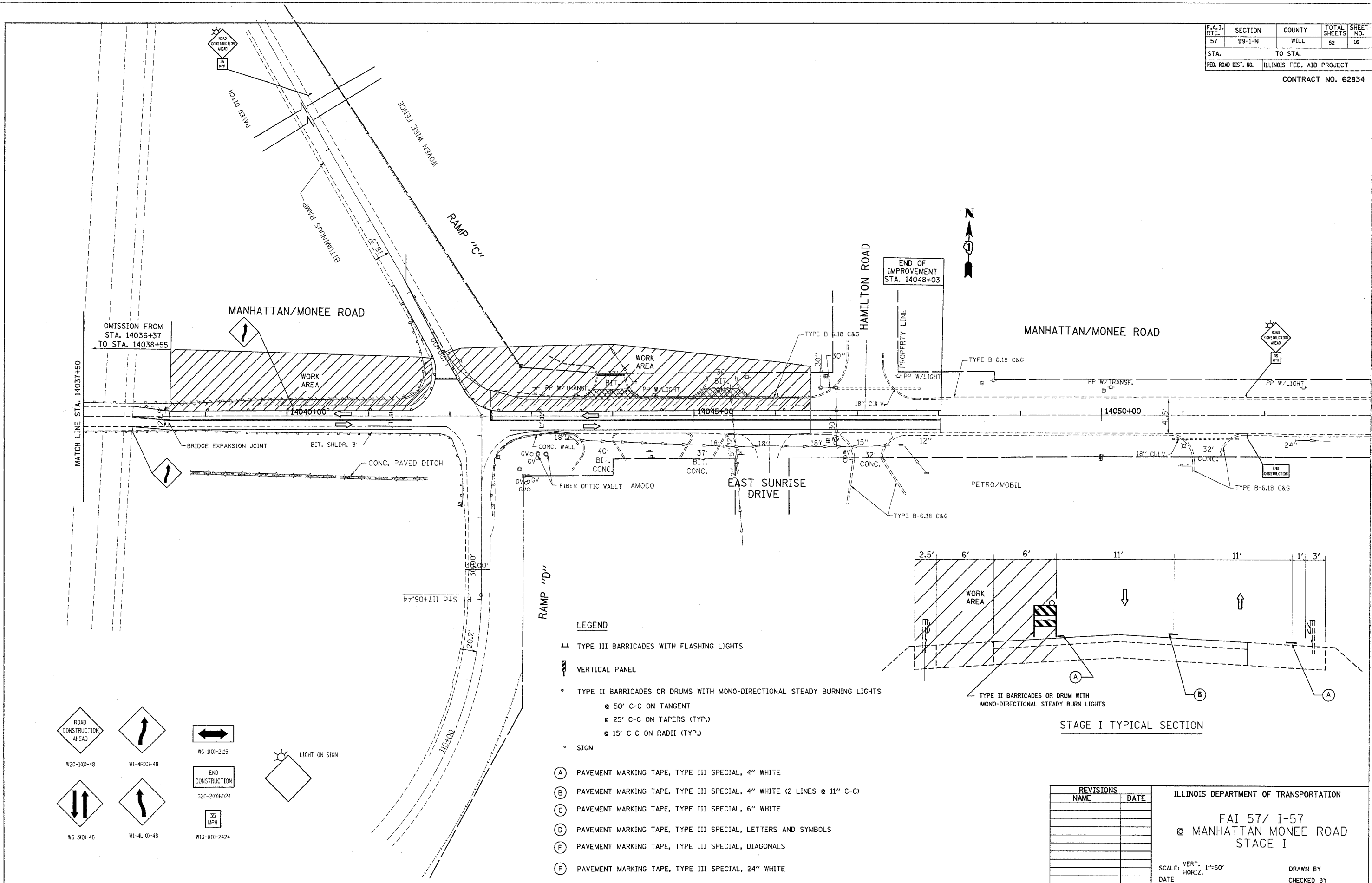


F.A.I. RTE.	SECTION	COUNTY	TOTAL SHEETS	SHEET NO.
57	99-1-N	WILL	52	16
STA.		TO STA.		
FED. ROAD DIST. NO.		ILLINOIS FED. AID PROJECT		

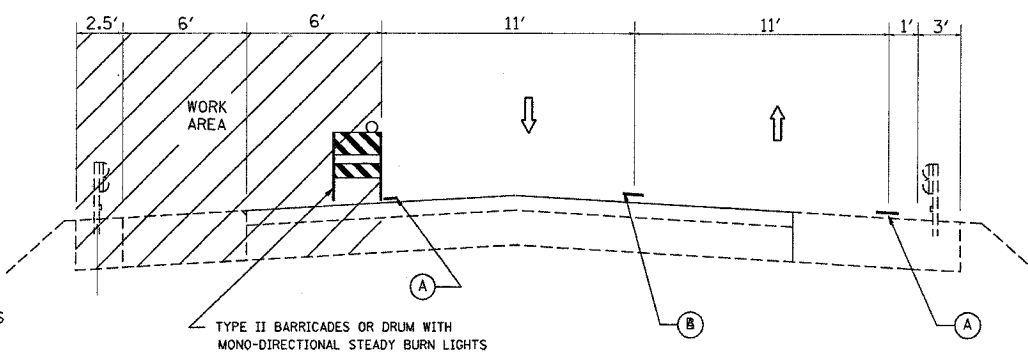
CONTRACT NO. 62834



RAMP "D"

**LEGEND**

- ▬ TYPE III BARRICADES WITH FLASHING LIGHTS
- ▬ VERTICAL PANEL
- TYPE II BARRICADES OR DRUMS WITH MONO-DIRECTIONAL STEADY BURNING LIGHTS
  - 50' C-C ON TANGENT
  - 25' C-C ON TAPERS (TYP.)
  - 15' C-C ON RADII (TYP.)
- ▽ SIGN
- (A) PAVEMENT MARKING TAPE, TYPE III SPECIAL, 4" WHITE
- (B) PAVEMENT MARKING TAPE, TYPE III SPECIAL, 4" WHITE (2 LINES @ 11" C-C)
- (C) PAVEMENT MARKING TAPE, TYPE III SPECIAL, 6" WHITE
- (D) PAVEMENT MARKING TAPE, TYPE III SPECIAL, LETTERS AND SYMBOLS
- (E) PAVEMENT MARKING TAPE, TYPE III SPECIAL, DIAGONALS
- (F) PAVEMENT MARKING TAPE, TYPE III SPECIAL, 24" WHITE



STAGE I TYPICAL SECTION

REVISIONS	
NAME	DATE

ILLINOIS DEPARTMENT OF TRANSPORTATION  
 FAI 57/ I-57  
 @ MANHATTAN-MONEE ROAD  
 STAGE I  
 SCALE: VERT. 1"=50'  
 DATE \_\_\_\_\_ DRAWN BY \_\_\_\_\_  
 CHECKED BY \_\_\_\_\_

PLOT DATE = 9/28/2005  
 PLOT NAME = I:\5896\1403888\1403888.dwg  
 PLOT SCALE = 5/8"=1'-0" / IN.  
 REFERENCE = #REF#