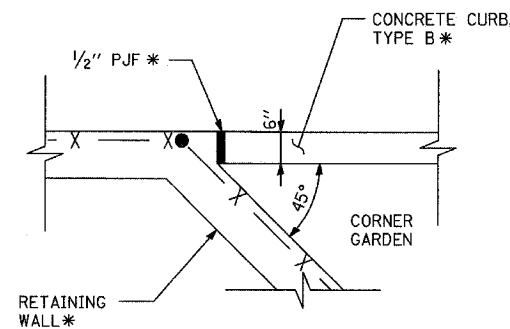
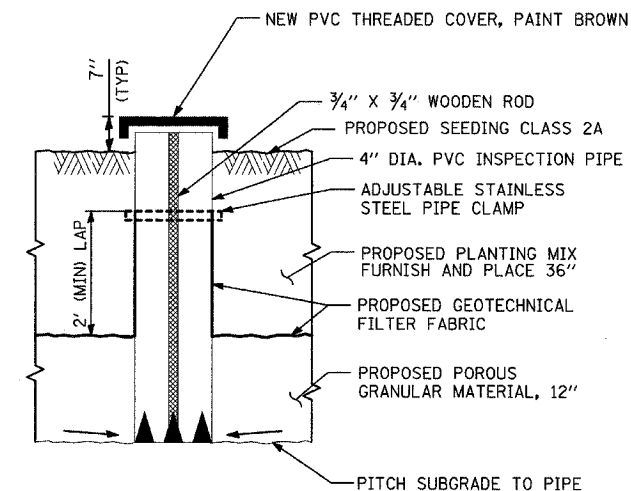


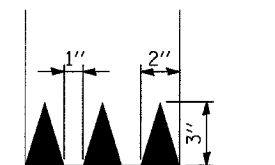
**CORNER GARDEN ALONG  
87th STREET AND LAFAYETTE AVENUE**



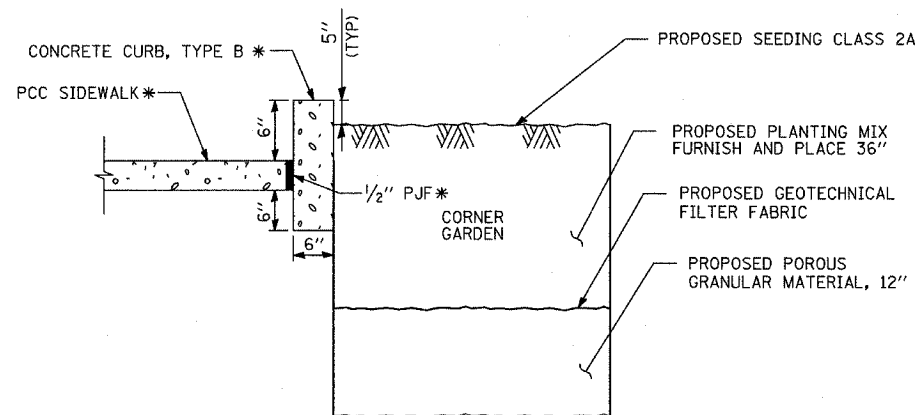
**DETAIL A**



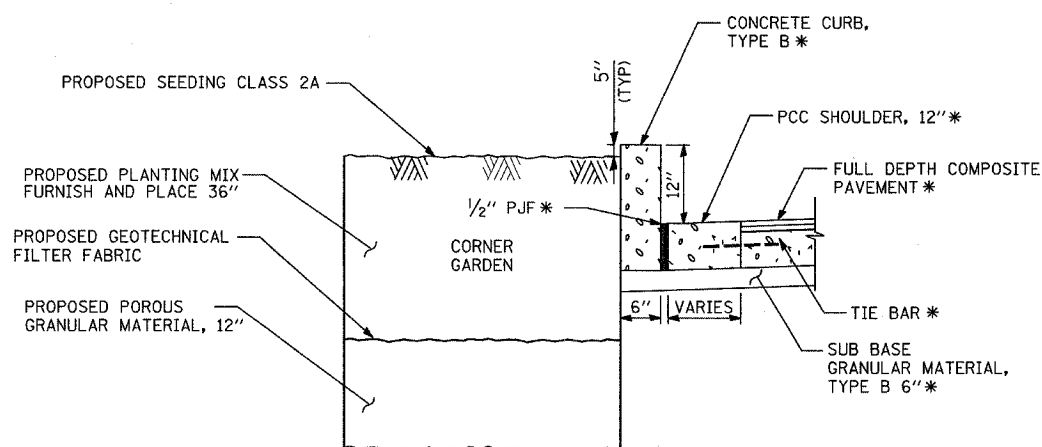
**INSPECTION PIPE, 4"**



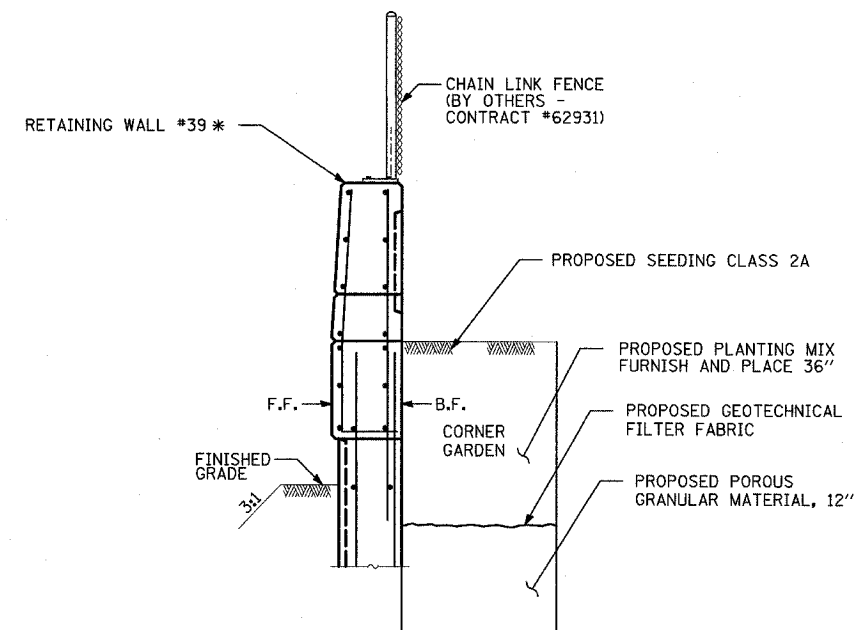
**CUT NOTCHES IN INSPECTION PIPE  
DRAIN SLEEVE ELEVATION**



**SECTION A-A**



**SECTION B-B**



**SECTION C-C**

**NOTE:**

\* - ITEMS BUILT BY OTHERS - CONTRACT #62695.

REVISIONS	
NAME	DATE

ILLINOIS DEPARTMENT OF TRANSPORTATION  
F.A.I. 94 (DAN RYAN EXPRESSWAY)

**CORNER GARDEN DETAIL  
87th STREET AND LAFAYETTE AVENUE**

SCALE: NOT TO SCALE      DRAWN BY: JDF  
DATE: SEPTEMBER 2, 2005      CHECKED BY: RTM