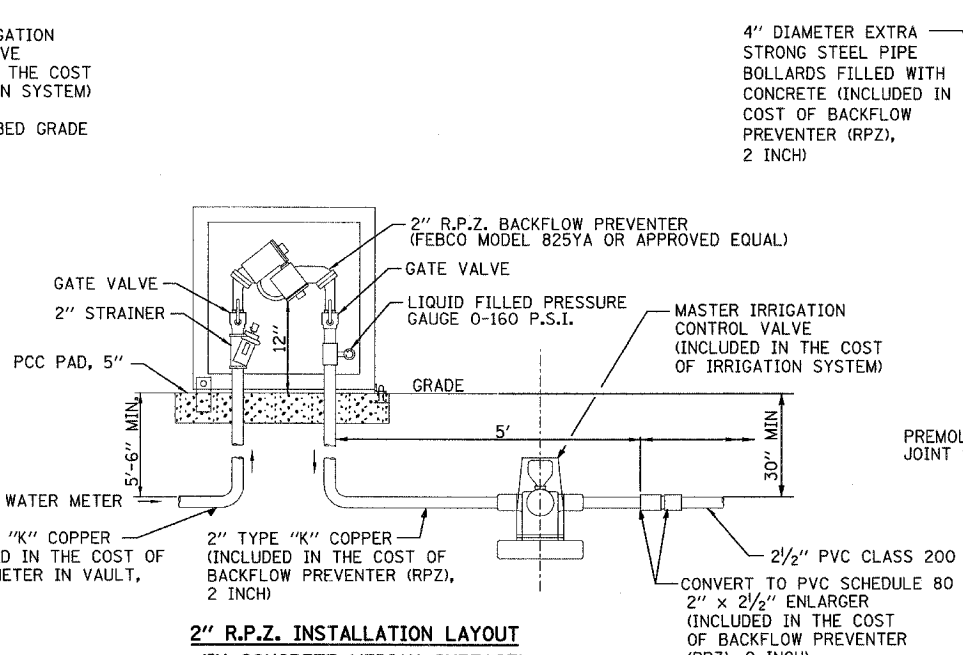
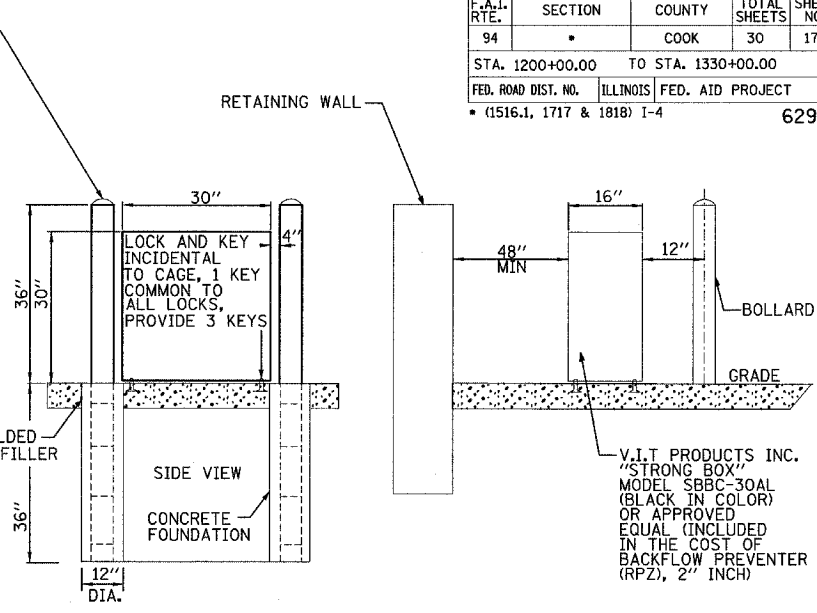


**TYPICAL METER INSTALLATION FOR 2" WATER SERVICE WITH BACK FLOW PREVENTER**

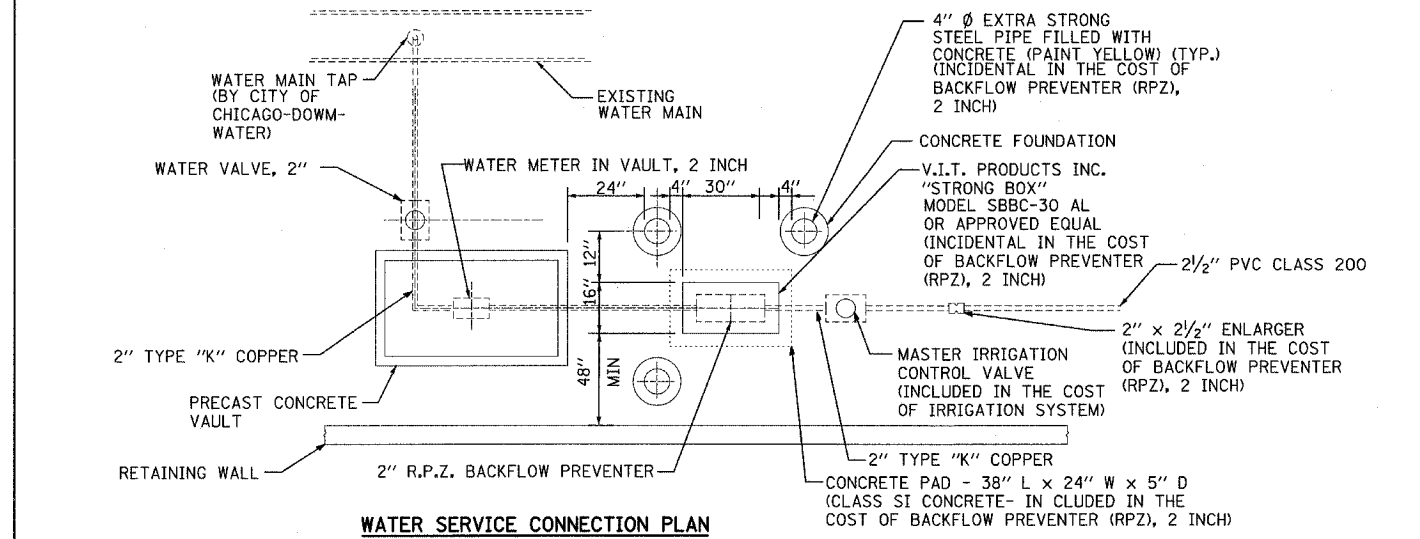


**2" R.P.Z. INSTALLATION LAYOUT (IN CONCRETE MEDIAN SURFACE)**

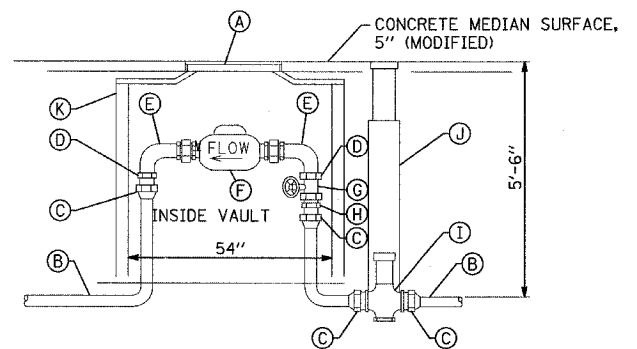


**DETAIL OF BACKFLOW PREVENTER ENCLOSURE AND BOLLARDS**

- TO PROTECT WATER SYSTEM FROM FREEZING**
1. SHUTOFF WATER AT ROADWAY.
  2. REMOVE AND STORE RPZ AND KEEP FROM FREEZING.
  3. OPEN LAWN HYDRANT AND LOOSEN METER NUT.
  4. BLOWOUT WATER LINES FROM RPZ TO METER AND FROM RPZ TO LAWN HYDRANT.
  5. IN SPRING REINSTALL RPZ AND HAVE RPZ TESTED BY LICENSED PERSONAL WITH A PERMIT FROM ROOM 900 CITY HALL.
  6. EACH RPZ MUST BE IDENTIFIED OR NUMBERED SO THAT RPZ WILL BE REINSTALLED IN THE SAME LOCATION AT ALL TIMES.
  7. EACH LAWN HYD. HOSE CONNECTION MUST BE MARKED "NON POTABLE WATER DO NOT DRINK".

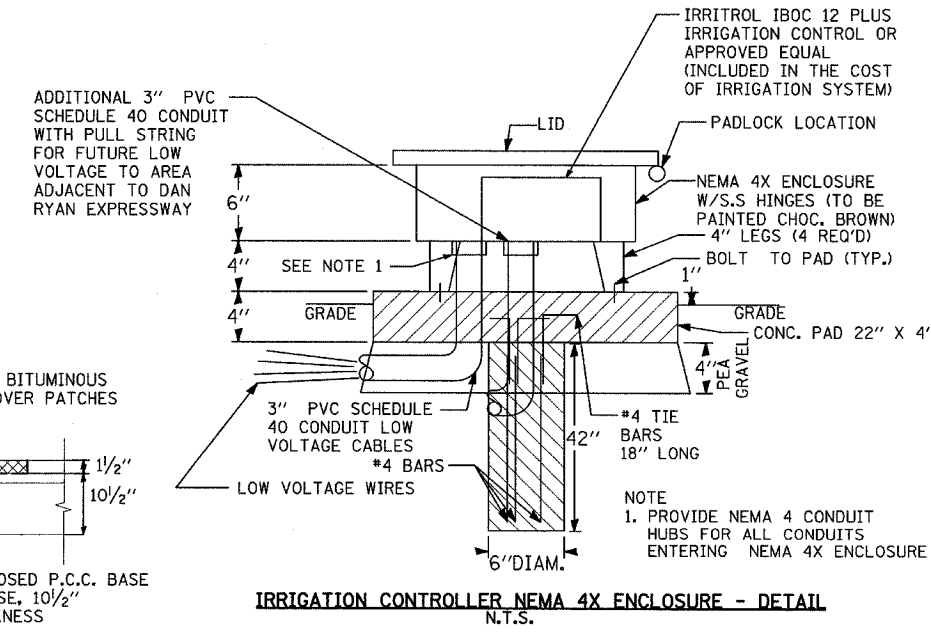


**WATER SERVICE CONNECTION PLAN (WATER METER IN CONCRETE MEDIAN SURFACE)**



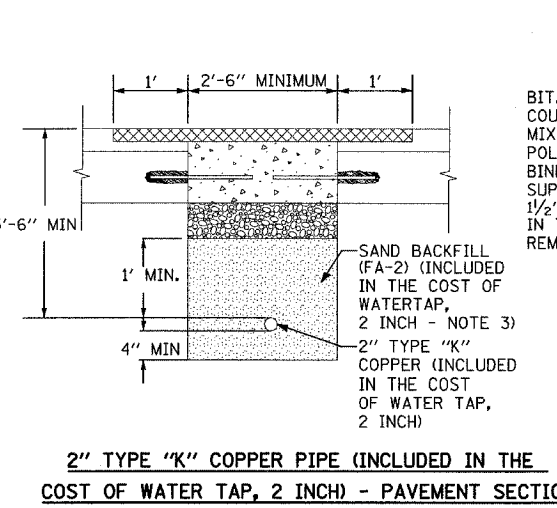
A	FRAME AND LID (NEENAH R6662)
B	2" TYPE K COPPER PIPE
C	FEMALE FLARED FITTING
D	BRASS BUSHING
E	BENT METER COUPLING
F	METER
G	FULL PORT CONTROL VALVE
H	MALE I.P.S. TO FLARED ADAPTER
I	ROUNDWAY
J	WATER VALVE ASSEMBLY
K	PRECAST CONCRETE VAULT

**NEW COPPER 2" WATER SERVICE STANDARD METER VAULT**

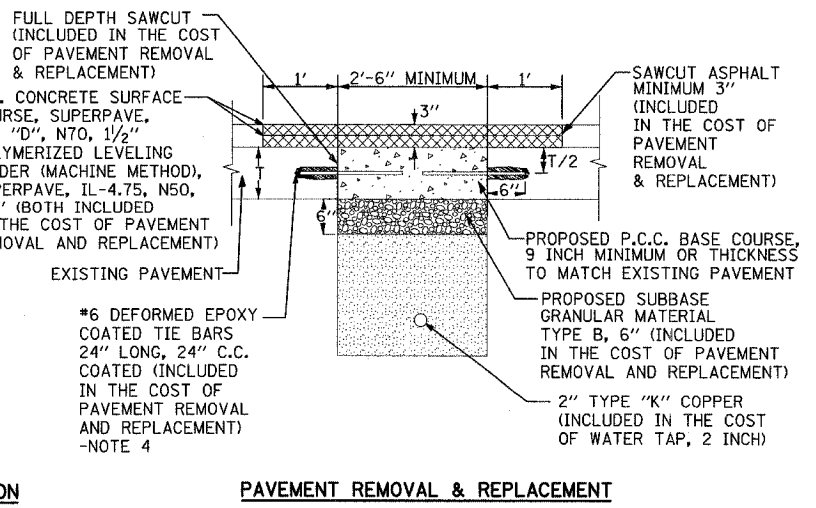


**IRRIGATION CONTROLLER NEMA 4X ENCLOSURE - DETAIL**

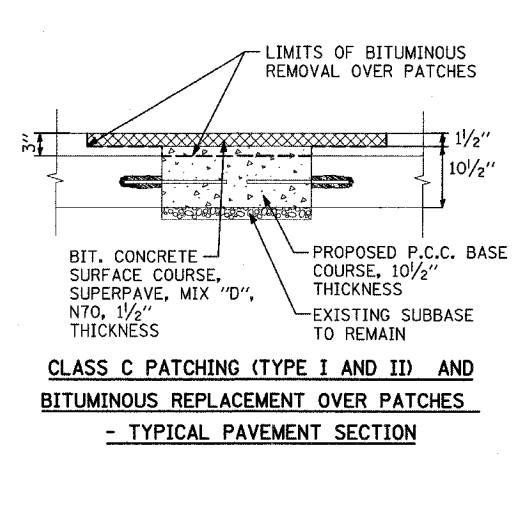
- NOTES:**
1. ALL TIE BARS AND DOWEL BARS TO BE EPOXY COATED (INCLUDED IN THE COST OF PAVEMENT REMOVAL AND REPLACEMENT).
  2. ADDITIONAL ONE FOOT (1') OF BITUMINOUS SURFACE REMOVAL ON EITHER SIDE OF CONCRETE PATCH SHALL BE REMOVED PRIOR TO PLACING BITUMINOUS SURFACE COURSE.
  3. PIPE BEDDING, TAMPED IN PLACE 4" MINIMUM UNDER PIPE AND 1'-0" ABOVE TOP OF PIPE, SHALL BE WELL SPADED ON BOTH SIDES OF PIPE.
  4. DOWEL BARS MAY BE DELETED SUBJECT TO APPROVAL BY ENGINEER.



**2" TYPE "K" COPPER PIPE (INCLUDED IN THE COST OF WATER TAP, 2 INCH) - PAVEMENT SECTION**



**PAVEMENT REMOVAL & REPLACEMENT**



**CLASS C PATCHING (TYPE I AND II) AND BITUMINOUS REPLACEMENT OVER PATCHES - TYPICAL PAVEMENT SECTION**

REVISIONS	
NAME	DATE

ILLINOIS DEPARTMENT OF TRANSPORTATION  
**F.A.I. 94 (DAN RYAN EXPRESSWAY)**  
 PLANTING BEDS - STANDARD METER VAULTS,  
 WATER SERVICE INSTALLATION, AND PAVEMENT  
 REMOVAL AND REPLACEMENT DETAILS

SCALE: NONE DRAWN BY: JF  
 DATE: SEPTEMBER 2, 2005 CHECKED BY: TGB