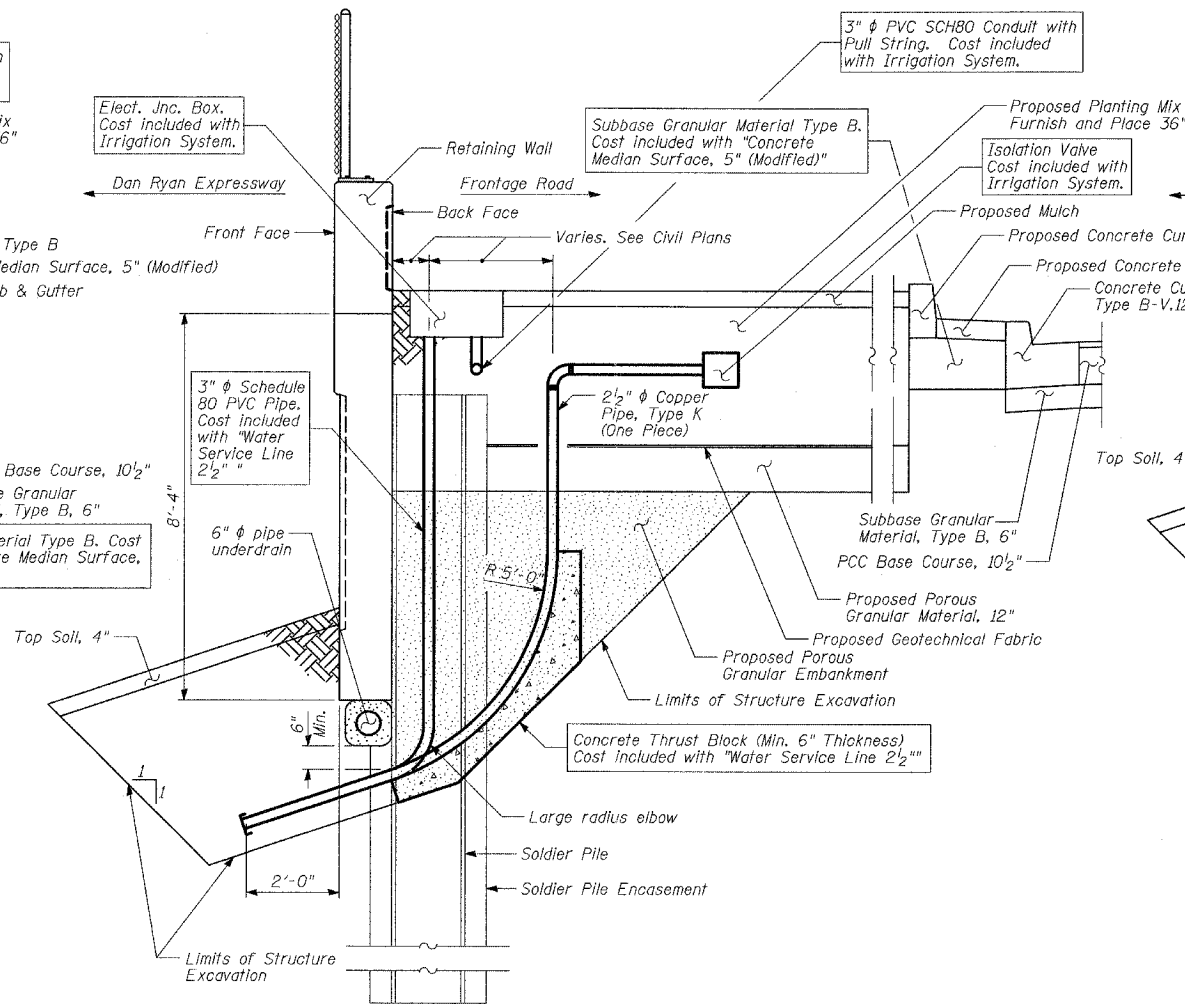
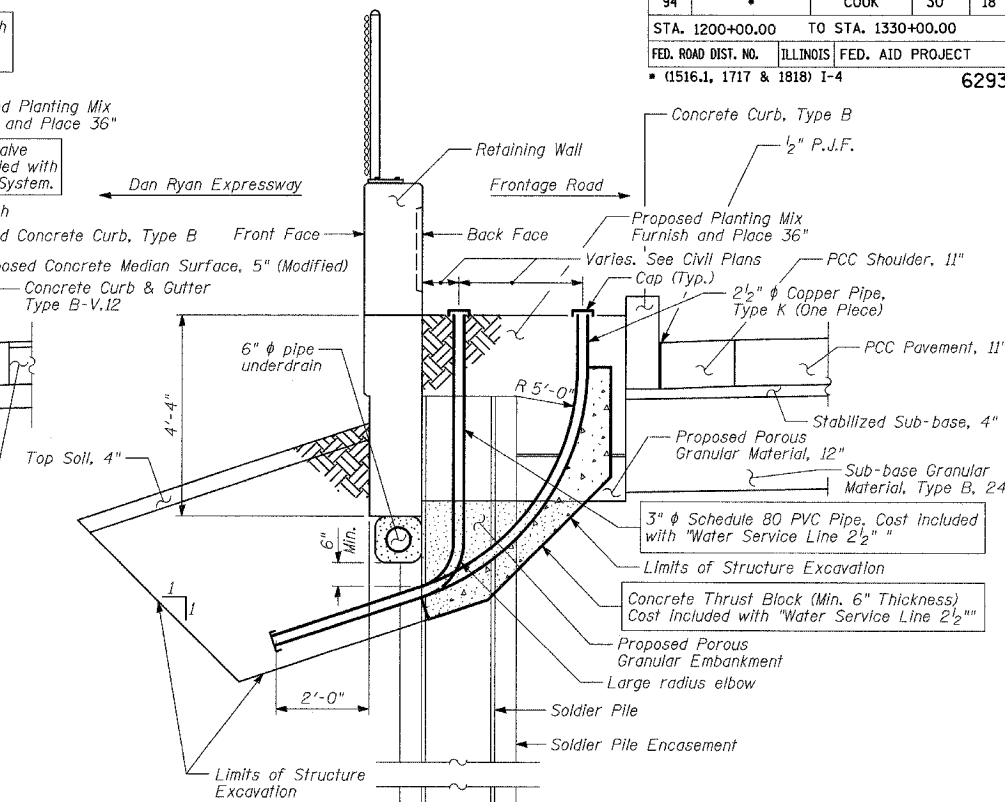


**ELEVATION - WATER SERVICE & ELECTRICAL LINES AT SOLDIER PILE RETAINING WALL 33**  
(95th Street)



**ELEVATION - WATER SERVICE & ELECTRICAL LINES AT SOLDIER PILE RETAINING WALL 34**  
(CTA Bus Turn-around)

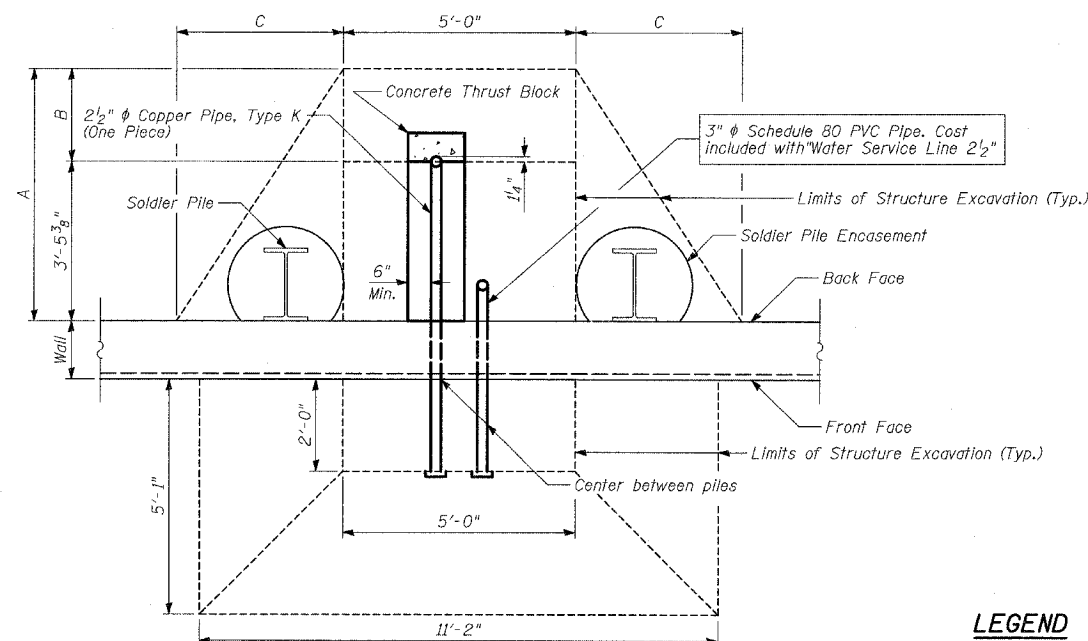


**ELEVATION - WATER SERVICE & ELECTRICAL LINES AT SOLDIER PILE RETAINING WALL 39**  
(87th Street)

**NOTES:**

1. Fill material used in backfilling the excavation behind the wall shall be structural fill material, IDOT gradation CA-6. Fill material shall be free of organic matter and debris. Fill shall be placed in loose lifts not exceeding 8-inch thickness and compacted to minimum 95 percent maximum dry density, as determined in accordance with AASHTO T-99, Standard Proctor Method.

Wall	A	B	C
33	7'-10"	4'-5"	7'-8"
34	7'-9"	4'-3"	6'-9"
39	3'-7"	-	2'-7"



**PLAN - WATER SERVICE & ELECTRICAL LINES AT SOLDIER PILE RETAINING WALL**

**LEGEND**

Porous Granular Embankment

**BILL OF MATERIAL**

ITEM	UNIT	Wall 33 016-W959	Wall 34 016-W946	Wall 39 016-W951	TOTAL
Structure Excavation	CU YD	22	19	7	48
Porous Granular Embankment	CU YD	15	12	2	29
Water Service Line 2 1/2"	FOOT	17	17	11	45

REVISIONS	
NAME	DATE

ILLINOIS DEPARTMENT OF TRANSPORTATION  
F.A.I. 94 (DAN RYAN EXPRESSWAY)  
CORNER GARDEN AND PLANTING BED  
UTILITY DROP DOWN DETAIL

S.N.  
SCALE: N.T.S.  
DATE: SEPTEMBER 2, 2005  
DESIGNED BY: MI, DJR  
DRAWN BY: DJR, MAF  
CHECKED BY: DAK, TGB