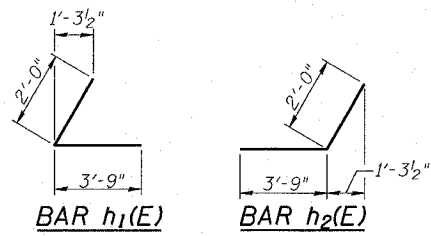


STATE OF ILLINOIS
DEPARTMENT OF TRANSPORTATION

ROUTE NO.	SECTION	COUNTY	TOTAL SHEETS	SHEET NO.
S.A. 646	(102)BR-3	Whiteside	57	25
FED. ROAD DIST. NO. 7 ILLINOIS FED. AID PROJECT-				

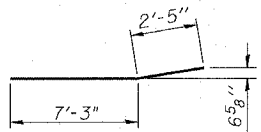
CONTRACT NO. 64426

SHEET NO. 13
24 SHEETS

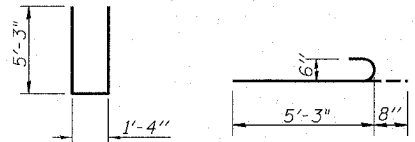


BAR h₁(E)

BAR h₂(E)

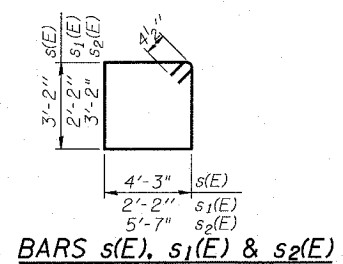


BAR h₄(E)

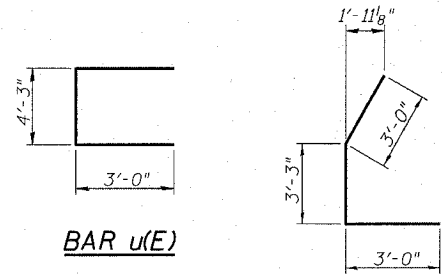


BAR n(E)

BAR n₁(E)

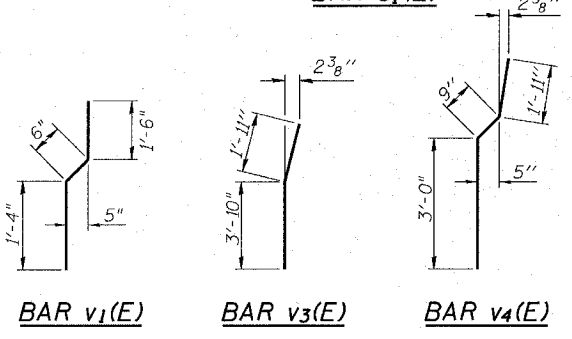


BARS s(E), s₁(E) & s₂(E)



BAR u(E)

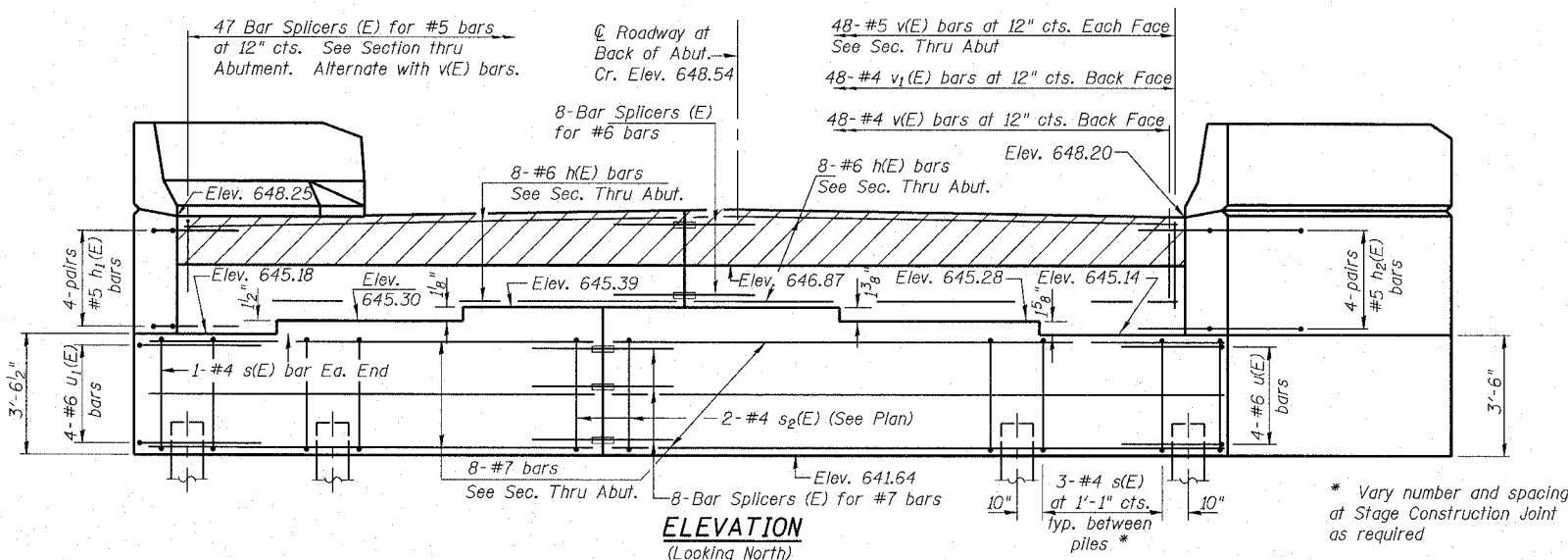
BAR u₁(E)



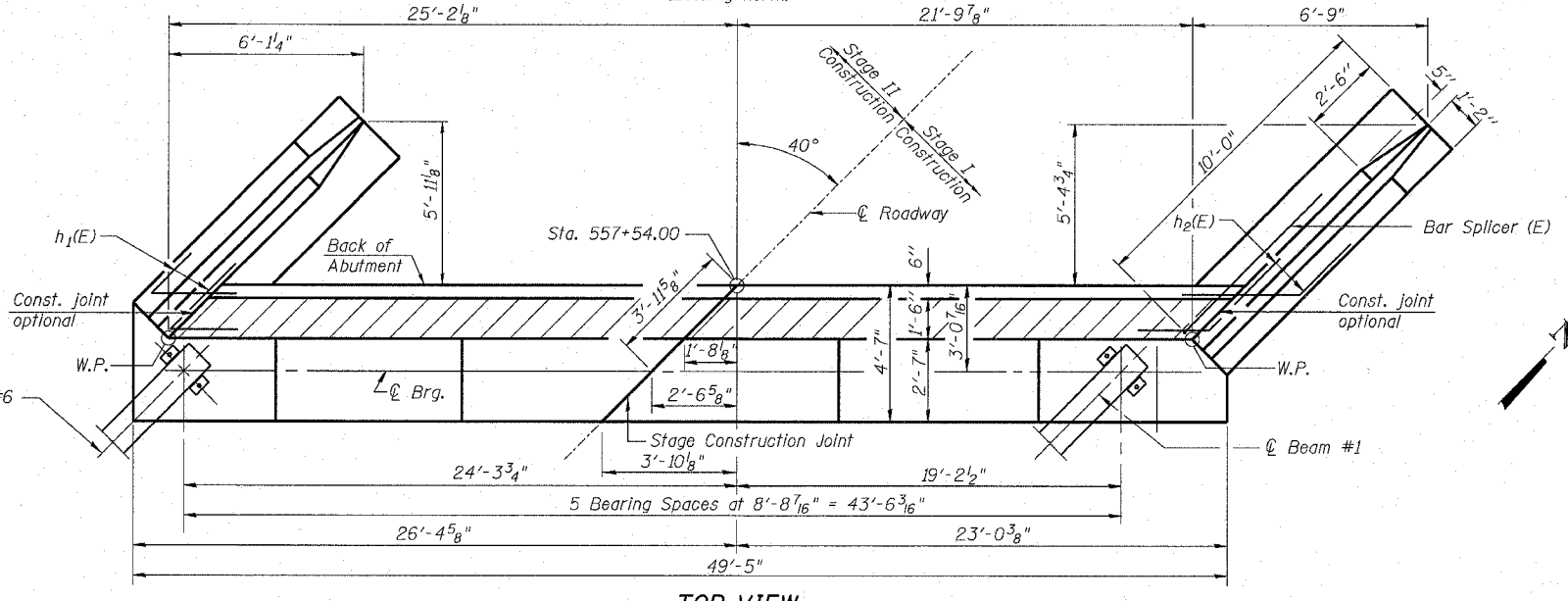
BAR v₁(E)

BAR v₃(E)

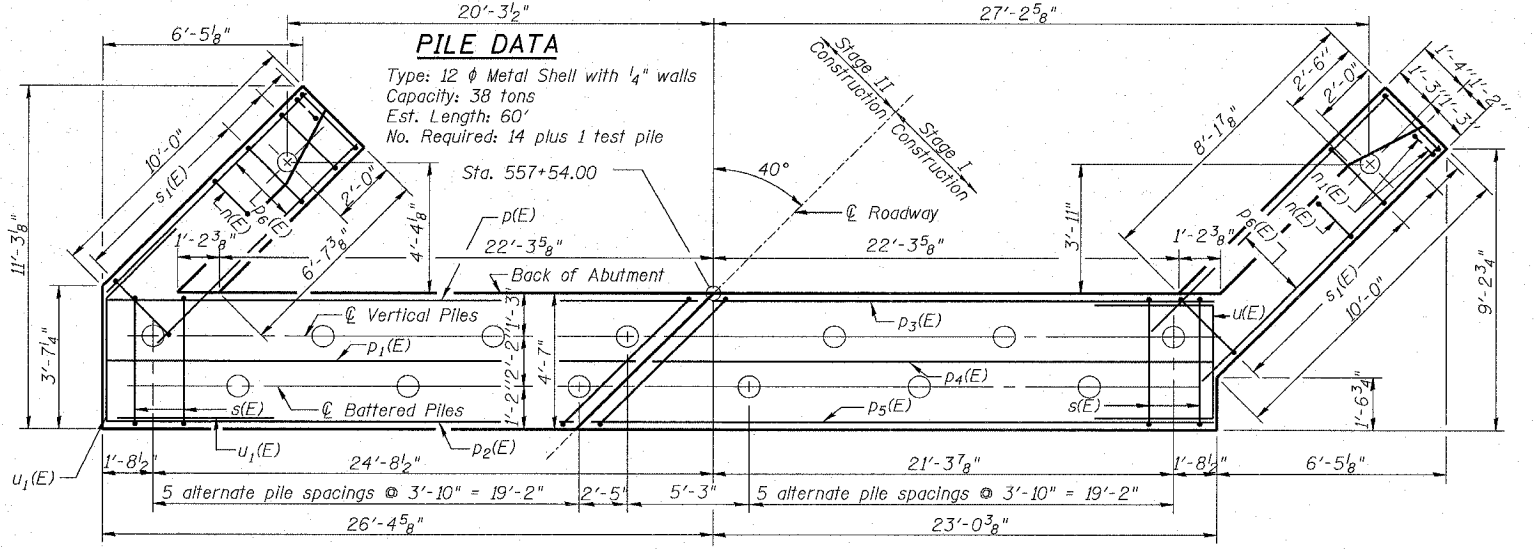
BAR v₄(E)



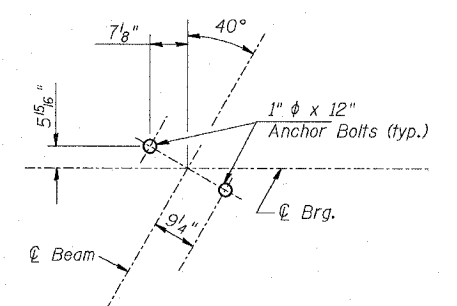
ELEVATION
(Looking North)



TOP VIEW



PLAN-PILE CAP



ANCHOR BOLT LAYOUT DETAIL

ABUTMENT
BILL OF MATERIAL

Bar	No.	Size	Length	Shape
h(E)	16	#6	23'-2"	
h ₁ (E)	8	#5	5'-9"	
h ₂ (E)	8	#5	5'-9"	
h ₃ (E)	20	#4	9'-8"	
h ₄ (E)	12	#4	9'-8"	
n(E)	16	#6	11'-10"	
n ₁ (E)	12	#6	5'-11"	
p(E)	3	#7	26'-0"	
p ₁ (E)	2	#7	24'-2"	
p ₂ (E)	3	#7	22'-4"	
p ₃ (E)	3	#7	22'-10"	
p ₄ (E)	2	#7	24'-8"	
p ₅ (E)	3	#7	26'-6"	
p ₆ (E)	12	#7	9'-9"	
s(E)	38	#4	15'-7"	
s ₁ (E)	20	#4	9'-5"	
s ₂ (E)	2	#4	18'-3"	
u(E)	4	#6	10'-3"	
u ₁ (E)	4	#6	9'-3"	
v(E)	96	#5	4'-10"	
v ₁ (E)	48	#4	3'-4"	
v ₂ (E)	22	#6	5'-6"	
v ₃ (E)	6	#6	5'-9"	
v ₄ (E)	16	#6	5'-8"	
v ₅ (E)	48	#5	3'-8"	
Structure Excavation		Cu. Yd.	162	
Concrete Structures		Cu. Yd.	44.5	
Reinforcement Bars, Epoxy Coated		Pound	4090	
Test Piles Metal Shells		Each	1	
Furnishing Metal Pile Shells 12"		Ft.	840	
Driving and Filling Shells		Ft.	840	
Bridge Seat Sealer		Sq. Ft.	128	

Notes:
1. Reinforcement bars designated (E) shall be epoxy coated.
2. For details of Bar Splicers, see sheet 20 of 24.

NORTH ABUTMENT
IL RTE 40 OVER WINNEBAGO DITCH
F.A.P. 646 SECTION (102)BR-3
WHITESIDE COUNTY
STATION 558+38
S.N. 098-0109

DESIGNED	DDB		FILE NUMBER
CHECKED	AMPH		136.110
DRAWN	JDB		DATE
CHECKED	DDB		Aug. 2005

R:\Projects\0136\0136-110 Winn ph 11 bridge plan\set\13-north abutment.dgn
10/20/27 AM
8/8/2005