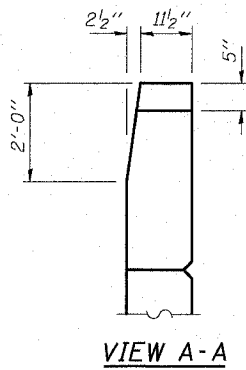
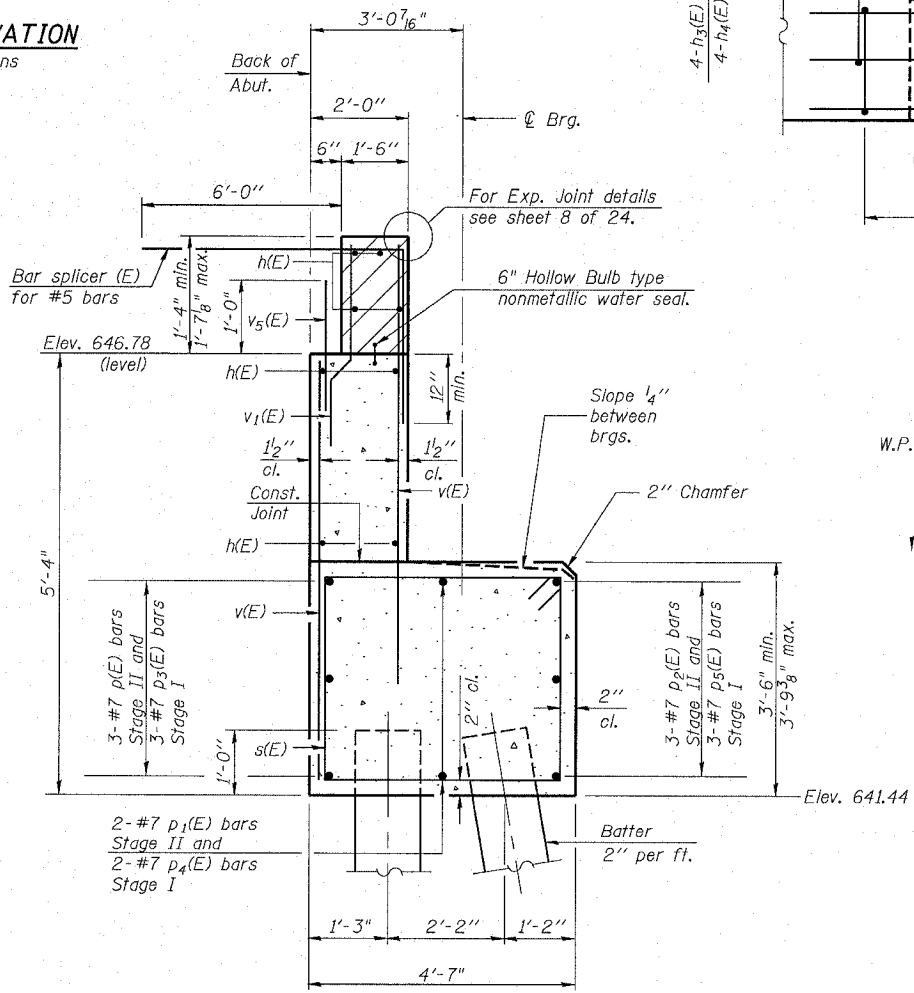


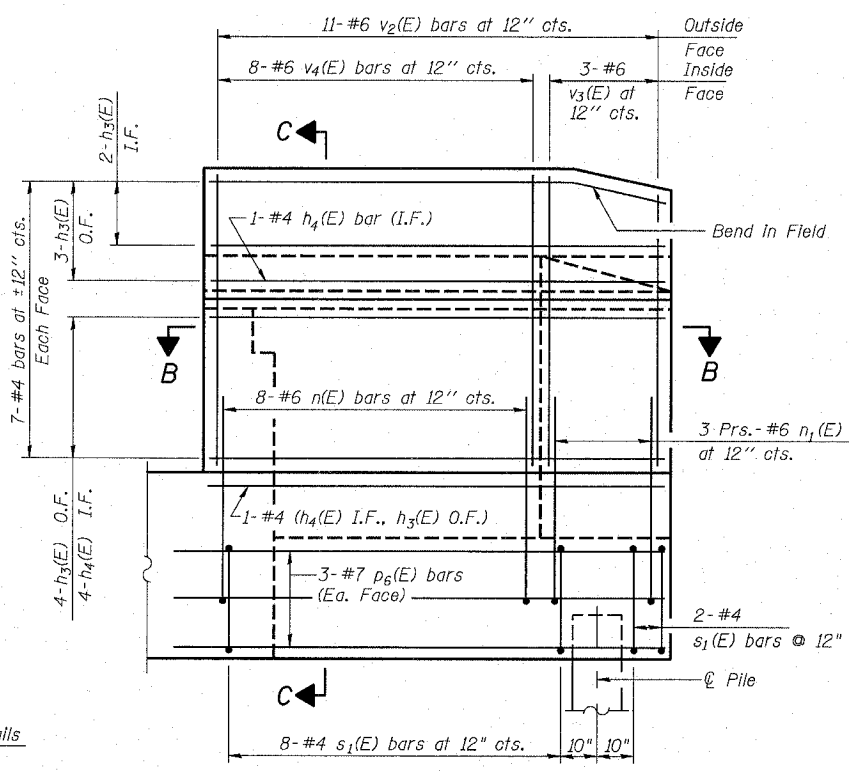
**WING WALL ELEVATION**  
Showing Dimensions



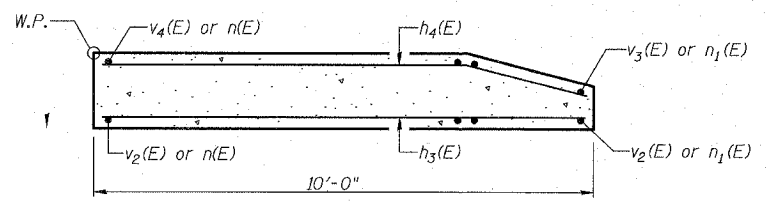
**VIEW A-A**



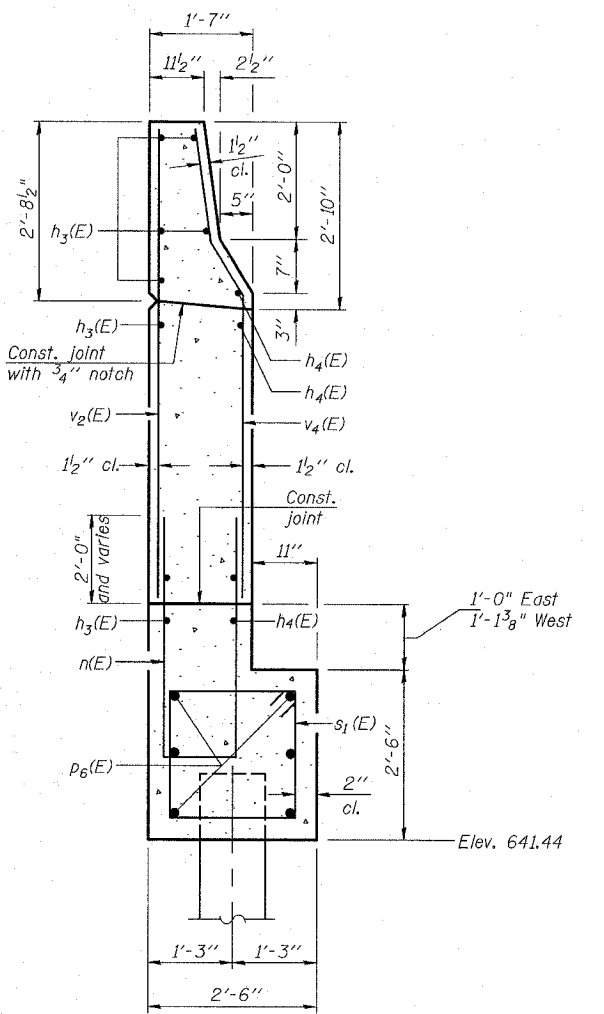
**SEC. THRU ABUT.**  
(at right angles to abut.)



**WING WALL ELEVATION**  
Showing Reinforcement



**SEC. B-B**



**SEC. C-C**

- Notes:
1. Hatched area to be poured after superstructure forms have been removed. Quantity of concrete included with Concrete Superstructure.
  2. Space reinforcement in cap to miss anchor bolts.
  3. Pour steps monolithically with cap.
  4. Reinforcement bars designated (E) shall be epoxy coated.
  5. Quantity of concrete in end post included with Concrete Superstructure on sheet 7 of 24.

**SOUTH ABUTMENT**  
IL RTE 40 OVER WINNEBAGO DITCH  
F.A.P. 646 SECTION (102)BR-3  
WHITESIDE COUNTY  
STATION 558+38  
S.N. 098-0109

DESIGNED	DDB	<p>RANDOLPH &amp; ASSOCIATES, INC. 111 N. FORTUNE AVENUE, PEORIA, IL 61654-2118 TEL: (309) 691-0044 FAX: (309) 691-0044 WWW.RANDOLPHINC.COM</p>	FILE NUMBER
CHECKED	AMPH		136.110
DRAWN	JDB		DATE
CHECKED	DDB		Aug.
			2005

R:\Projects\0136\0136-110 Winn ph 11\bridge plans\16-south abutment details.dgn

10/23/05 AM

8/8/2005