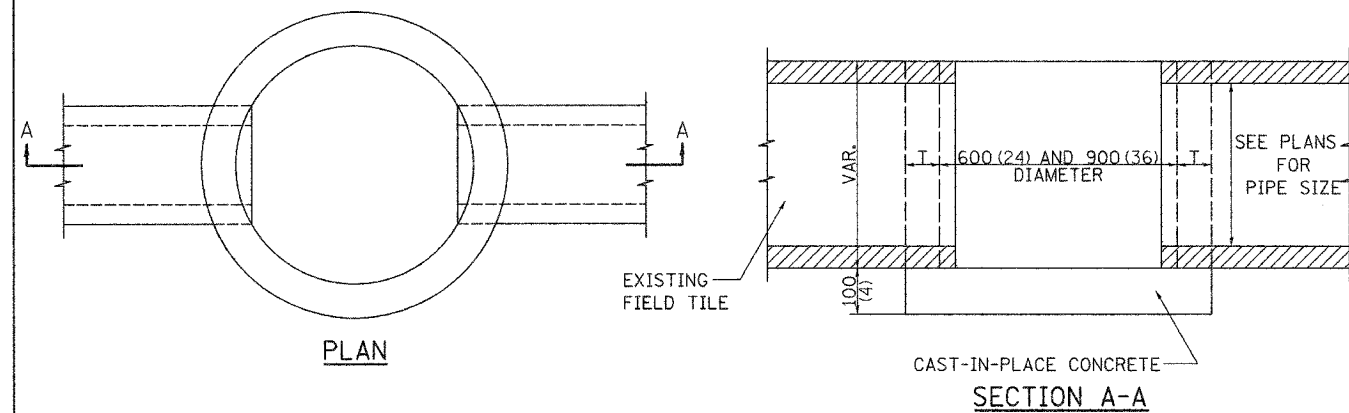
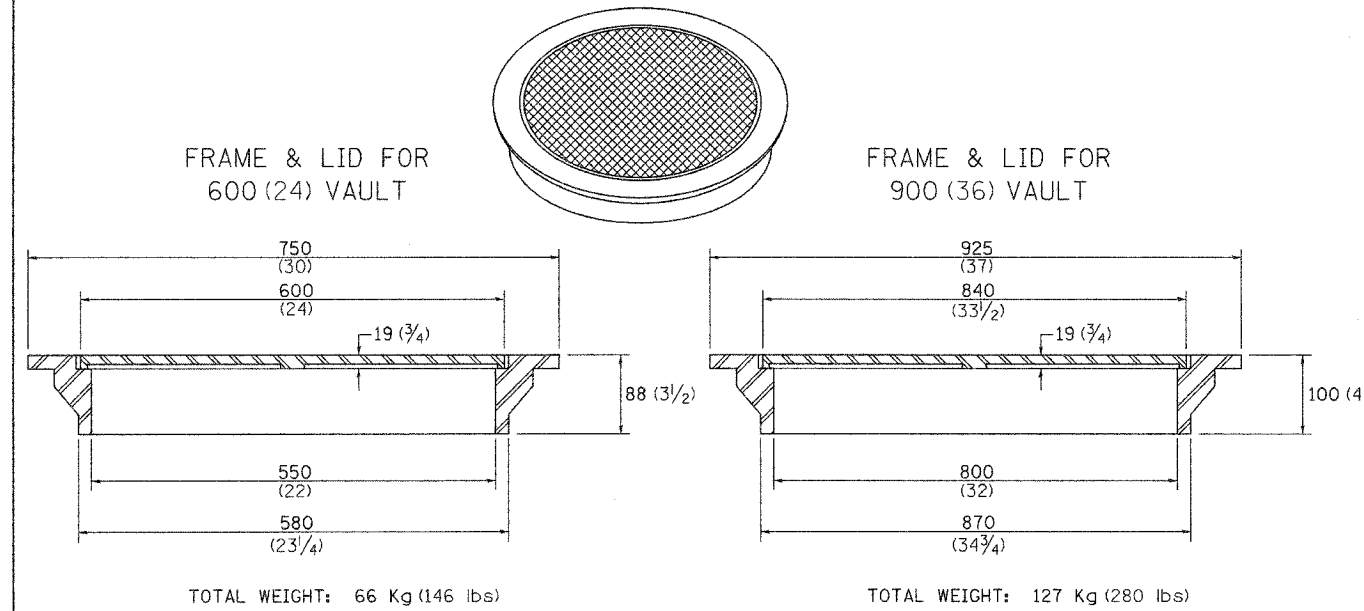


F.A. RTE.	SECTION	COUNTY	TOTAL SHEETS	SHEET NO.
646	(102)BR-3	WHITESIDE	57	46
STA. _____		TO STA. _____		
FED. ROAD DIST. NO. _____		ILLINOIS FED. AID PROJECT		

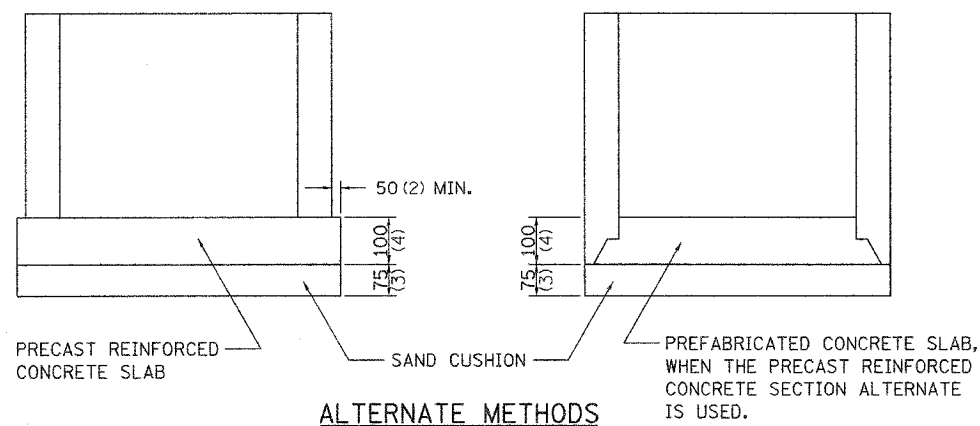
FIELD TILE JUNCTION VAULTS 600 (24) AND 900 (36) DIA.



ALTERNATE MATERIALS FOR WALLS	T
BRICK MASONRY	200 (8)
CAST-IN-PLACE CONCRETE	150 (6)
CONCRETE MASONRY UNIT	125 (5)
PRECAST REINFORCED CONCRETE SECTION	75 (3)

NOTE: THE FRAME AND LID IS REQUIRED ON ALL JUNCTION VAULTS.

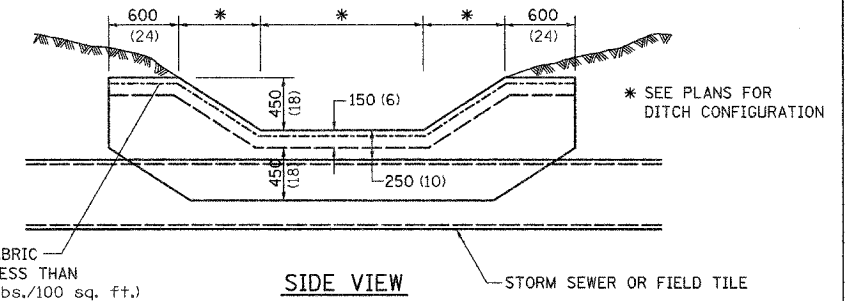
ALL DIMENSIONS ARE IN MILLIMETERS (INCHES) UNLESS OTHERWISE NOTED.



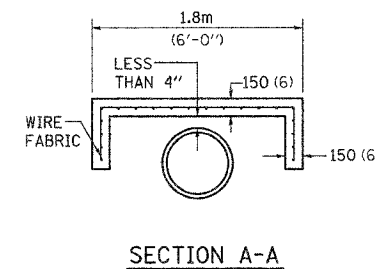
PLT DATE = 04/15/94
FILE NAME = 01FIELD
PLT SCALE = AS SHOWN
REFERENCE = 01REF

TREATMENT OF FIELD TILE SYSTEMS UNDER DITCHES

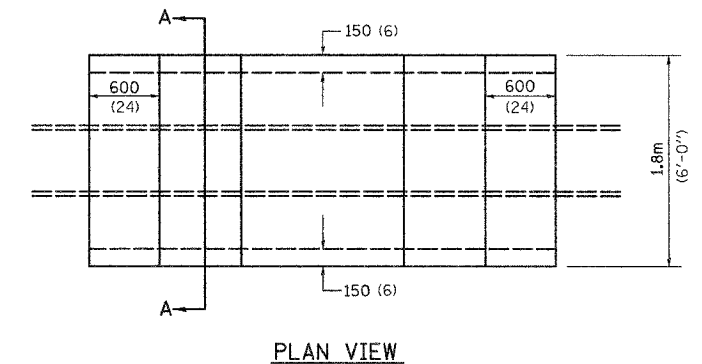
PAVED DITCH
TO BE USED IF COVER OVER THE PIPE AT THE BOTTOM OF THE DITCH IS LESS THAN 250mm (10 INCHES)



WELDED WIRE FABRIC WEIGHING NOT LESS THAN 2.83 kg/m (58 lbs./100 sq. ft.)

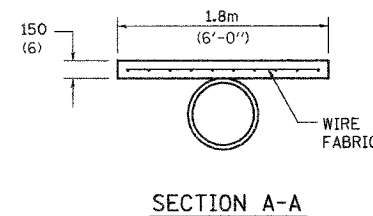
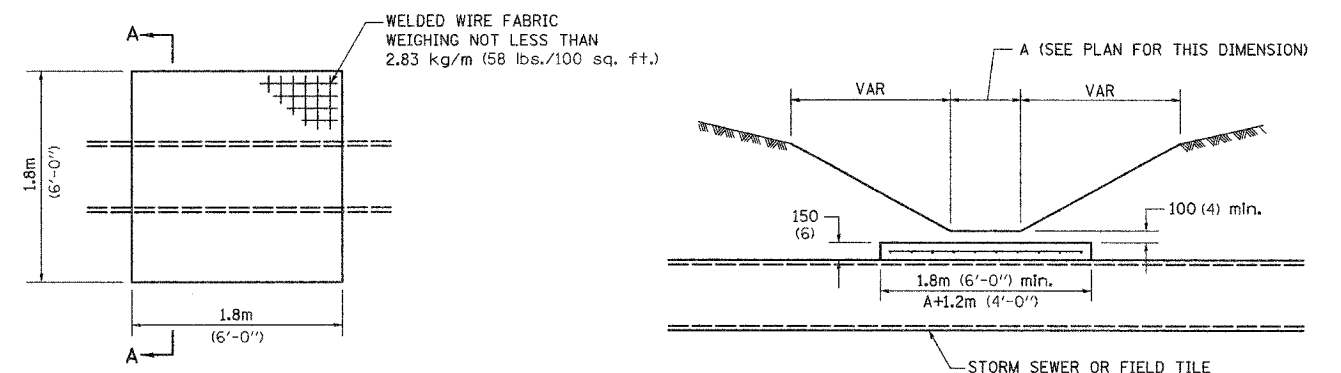


SECTION A-A



CONCRETE SLAB

TO BE USED IF COVER OVER THE PIPE AT THE BOTTOM OF THE DITCH IS 250mm (10 INCHES) TO 600mm (24 INCHES)



SECTION A-A

NOTES

THIS WORK SHALL BE DONE IN ACCORDANCE WITH ARTICLE 611.04 OF THE STANDARD SPECIFICATION.

THE CONCRETE SLAB AND PAVED DITCH WILL BE PAID FOR AT THE CONCRETE UNIT PRICE PER CUBIC METER (CUBIC YARD) FOR MISCELLANEOUS CONCRETE.

ALL DIMENSIONS ARE IN MILLIMETERS (INCHES) UNLESS OTHERWISE NOTED.