
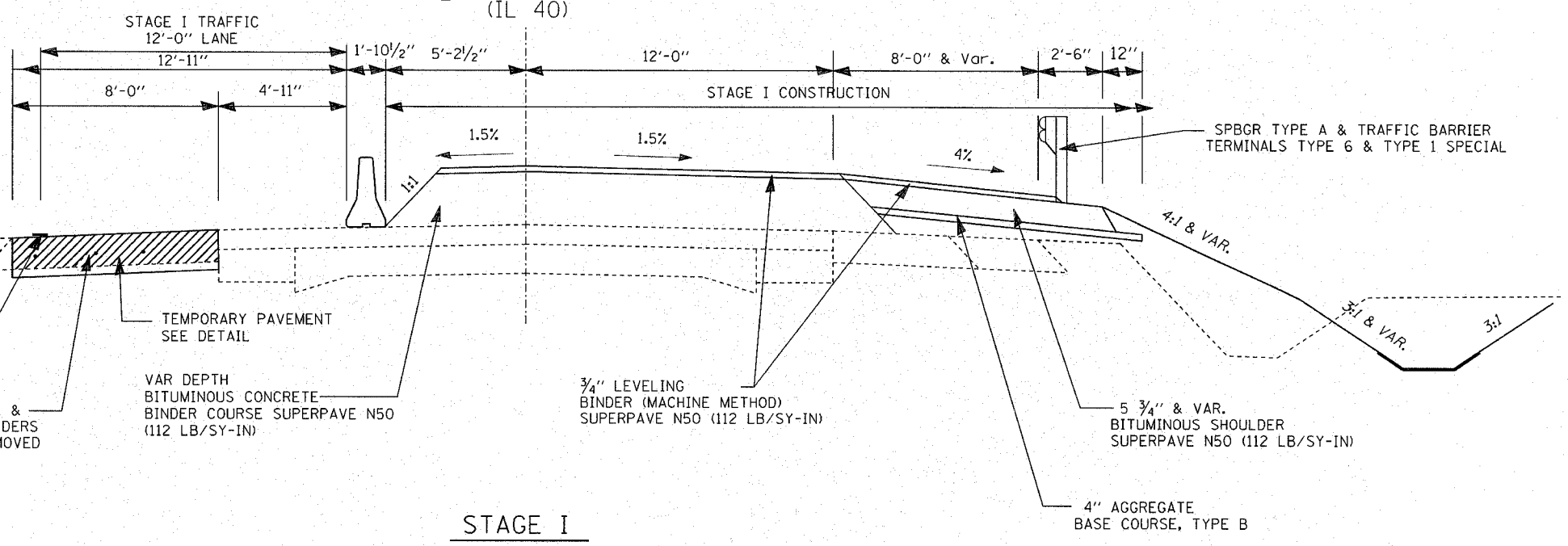
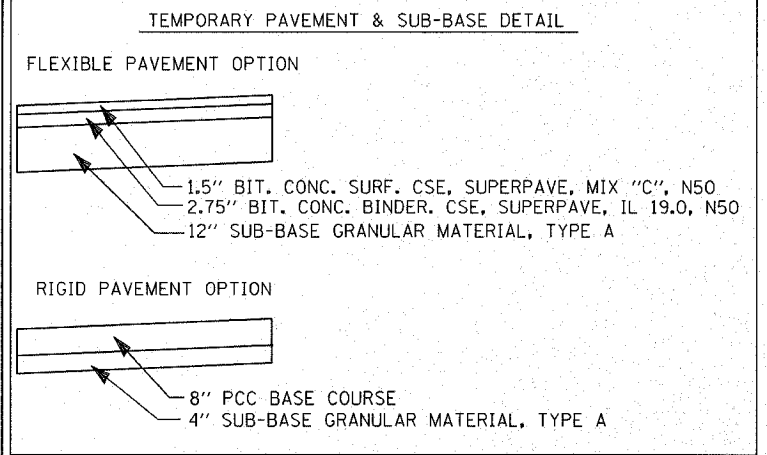


DESIGNED AMPH/GJM	 RANDOLPH & ASSOCIATES, INC. <small>111 N. FIDELITY PARKWAY, PEORIA, IL 61614-2124          TEL. 309-693-2844 FAX 309-693-2828 • 1-800-693-1981          E-MAIL: R&amp;A@RAI.COM WWW.R&amp;A.COM</small>	FILE NUMBER 136.111	F.A. RTE. 646	SECTION 102 BR-2	COUNTY WHITESIDE	TOTAL SHEETS 69	SHEET NO. 19
CHECKED GJM		DATE AUG 2005	STA. _____	TO STA. _____	FED. ROAD DIST. NO. 2 ILLINOIS FED. AID PROJECT		
DRAWN AMPH							
CHECKED GJM							

STATE OF ILLINOIS  
DEPARTMENT OF TRANSPORTATION

CL FAP RTE 646  
(IL 40)



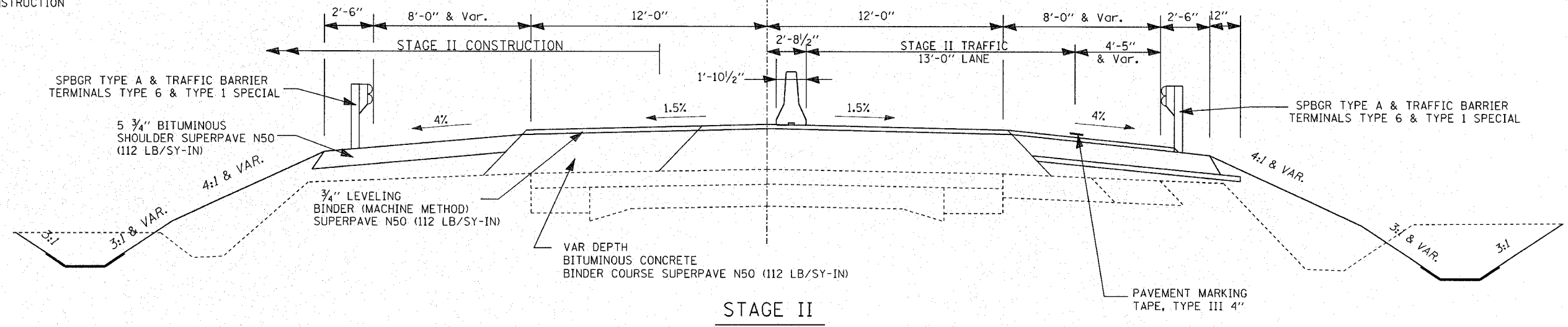
**PROPOSED BRIDGE**  
CL STA. 673+84.63 TO CL STA. 675+70.63  
GREEN RIVER (SN. 098-0018)

**EXISTING BRIDGE**  
CL STA. 674+05.19 TO CL STA. 675+50.81  
GREEN RIVER (SN. 098-0018)

NOTE 1: BRIDGE APPR. PAV'T & CONNECTORS FROM  
CL STA. 673+48.63 TO CL STA. 673+84.63 AND  
CL STA. 675+70.63 TO CL STA. 676+60.63

NOTE 2: EXISTING GUARDRAIL ON EAST TO REMAIN  
IN PLACE DURING STAGE I CONSTRUCTION

CL FAP RTE 646  
(IL 40)



**STAGING TYPICAL SECTIONS**

IL 40 OVER GREEN RIVER  
F.A.P. RTE 646 (IL RTE 40) SECTION 102 BR-2  
WHITESIDE COUNTY