

STATE OF ILLINOIS
DEPARTMENT OF TRANSPORTATION

ROUTE NO.	SECTION	COUNTY	TOTAL SHEETS	SHEET NO.
S. B. I.	(102)	Whiteside	69	28
F. A.	646 BR-2	ILLINOIS FED. AID PROJECT-		
CONTRACT NO. 64427				

SHEET NO. 8
25 SHEETS

Joint Size	"C" at 50°F	"D" at 50°F
2"	2"	1 1/2" Min.

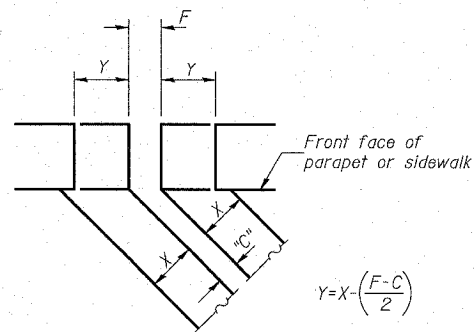
INSTALLATION NOTES

- Install continuous seal in roadway, parapet, curb, and sidewalk.
- Install anchor blocks as indicated.

NOTE A: Maximum spacing of anchor bolts shall be 12" centers.

SKEW LIMITATIONS

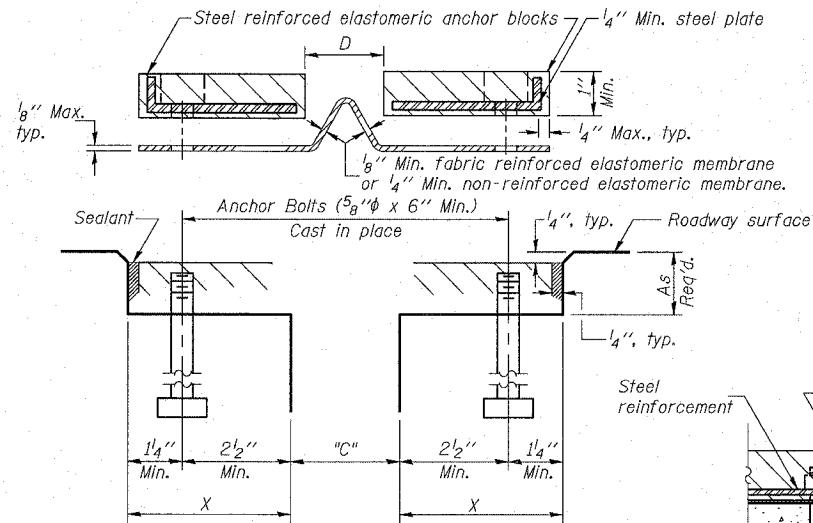
The details of the anchor blocks and the elastomeric membrane in the parapet, as shown, are for up to 50° skews. For skews greater than 50°, the anchor blocks and the elastomeric membrane, installed according to dimension "D", might require modifications to insure a minimum clearance of 1 1/2" from centerline of anchor studs to edge of parapet opening. The anchor blocks and the elastomeric membrane shall also be installed to the top of the parapet with the anchor studs spaced at ±12" cts.



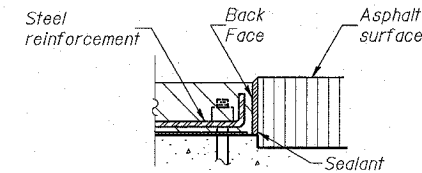
FORMING BLOCKOUT SKETCH

$$Y = X \left(\frac{F-C}{2} \right)$$

For dimension "F" see sheet #6 of 25



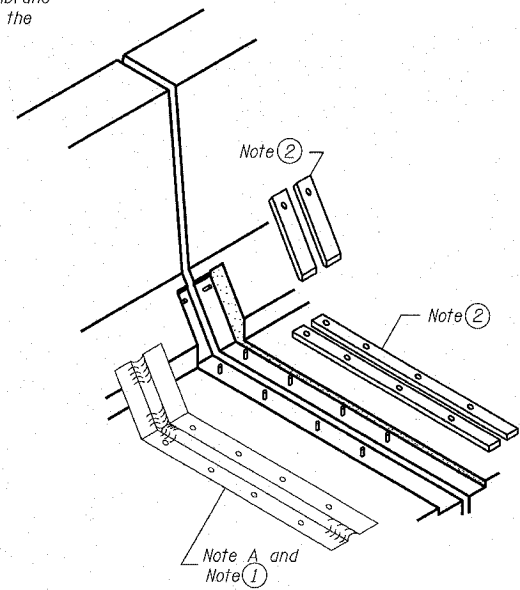
CROSS SECTION



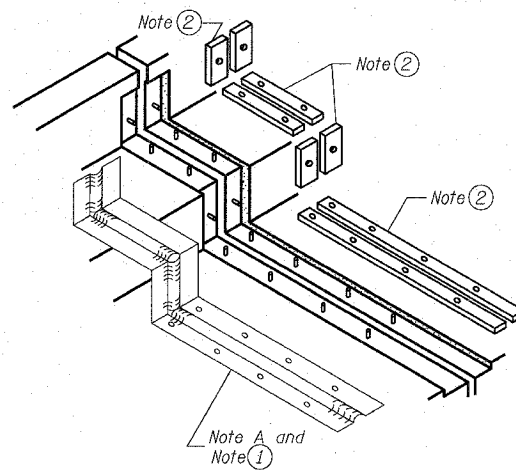
ANCHOR BLOCK WITH ASPHALT SURFACE

GENERAL NOTES

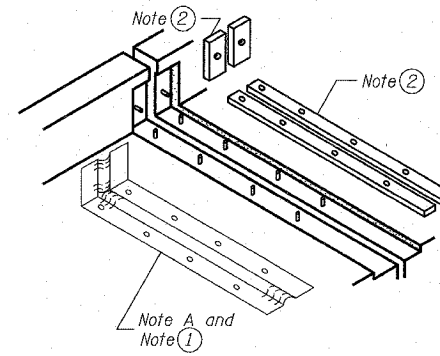
Continuous Seal Neoprene Expansion Joint shall consist of molded anchor blocks of elastomer and steel, field assembled over continuous lengths of elastomeric membrane. The elastomeric membrane shall be pre-molded with a single or a double upward convolution that will have a "memory" to return to its molded position upon joint closure. The convolution length shall be such that the extended length will not be greater than the manufactured length when the joint is fully expanded in its design range and will not protrude above the anchor blocks when the joint is fully compressed. Joint openings shall be adjusted according to Article 503.10(c) of the Standard Specifications when the deck is poured at an ambient temperature other than 50° F. The parapet and roadway membrane shall be made continuous by an approved vulcanizing process. Lapping will not be permitted.



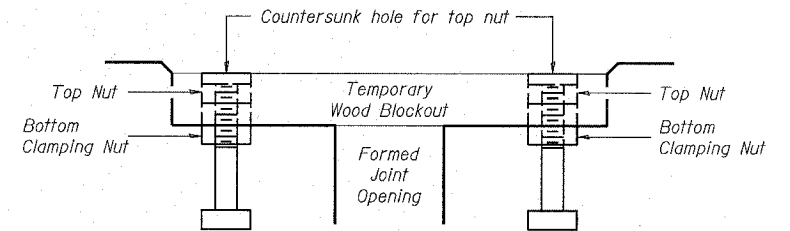
AT PARAPET



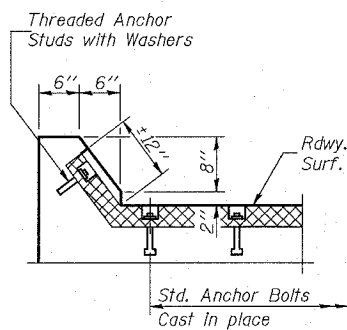
AT SIDEWALK OR MEDIAN



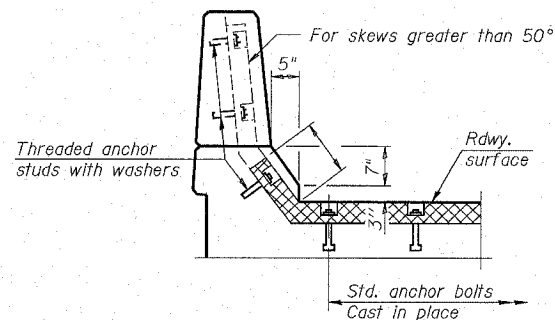
AT WALL



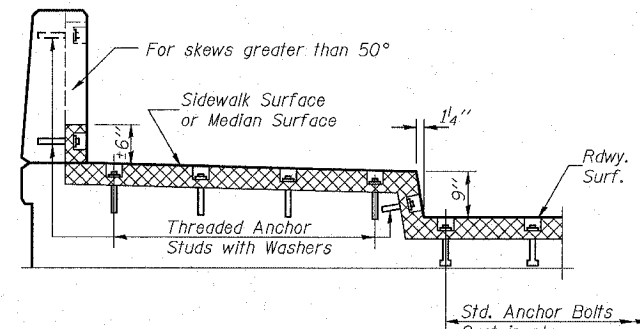
Note: Stud needs to be threaded lower to allow for use of clamping nut.
Anchor studs should be stainless
RECOMMENDED BLOCKOUT DETAIL



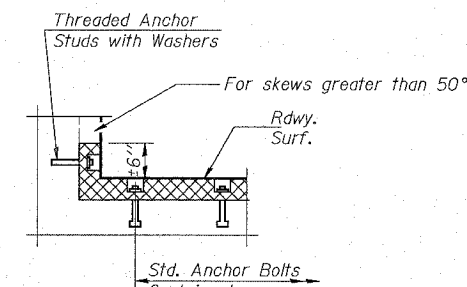
AT CURB



AT PARAPET



AT SIDEWALK OR MEDIAN TYPICAL END TREATMENTS



AT WALL

2" NEOPRENE JOINT
AT NORTH AND SOUTH ABUTMENTS
IL RTE 40 OVER GREEN RIVER
F.A.P. 646 SECTION (102)BR-2
WHITESIDE COUNTY
STATION 674+77.63
S.N. 098-0018

DESIGNED	DDB	<p>RANDOLPH & ASSOCIATES, INC. 111 N. FIDLER PARKWAY, PEORIA, IL 61615-1124 TEL: 309-693-2644 FAX: 309-693-0868 CONSULTING ENGINEERS & LAND SURVEYORS</p>	FILE NUMBER	136.111
CHECKED	JFJ		DATE	Aug. 2005
DRAWN	JDB			
CHECKED	DDB			

R:\Projects\0136\0136-111 green ph 11\Br Idge Plansef\08 NEOPRENE JOINT.dgn 9:44:18 AM 8/9/2005