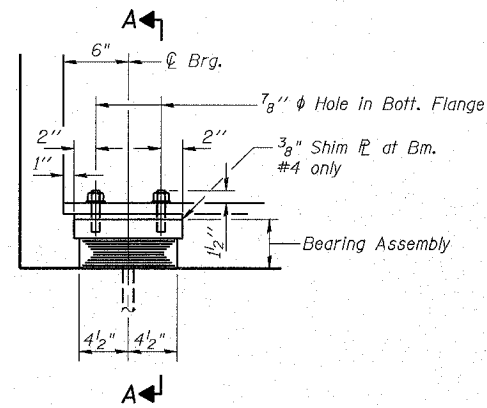


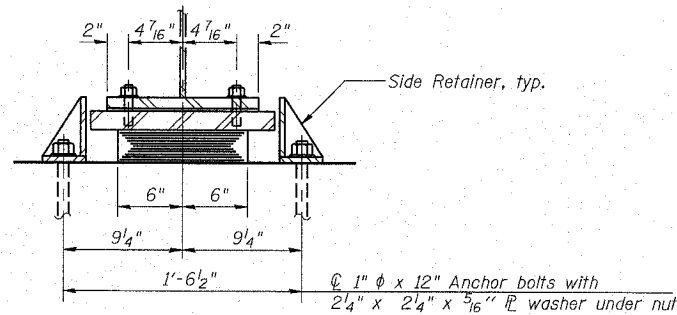
STATE OF ILLINOIS
DEPARTMENT OF TRANSPORTATION

ROUTE NO.	SECTION	COUNTY	TOTAL SHEETS	SHEET NO.
S.B.L. F.A. 646	(102) BR-2	Whiteside	69	31
ILLINOIS FED. AID PROJECT-		CONTRACT NO. 64427		

SHEET NO. 11
25 SHEETS

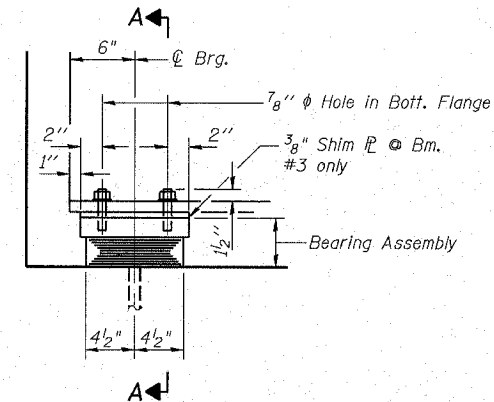


ELEVATION AT ABUT.

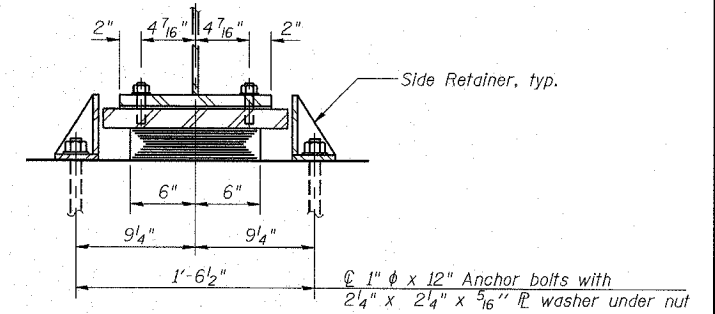


SECTION A-A

TYPE I ELASTOMERIC EXP. BRG. - NORTH ABUTMENT
6 required

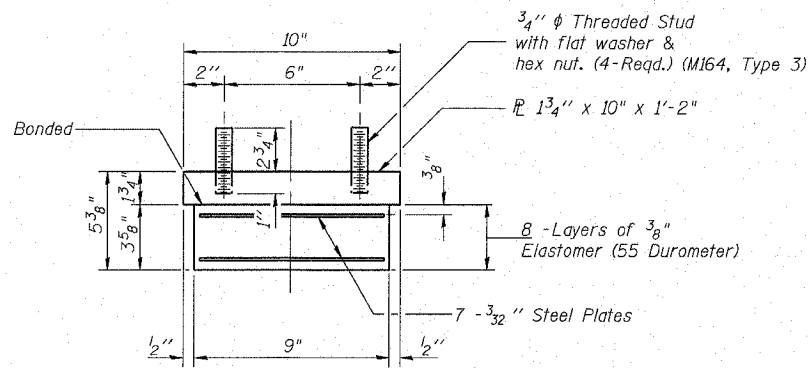


ELEVATION AT ABUT.



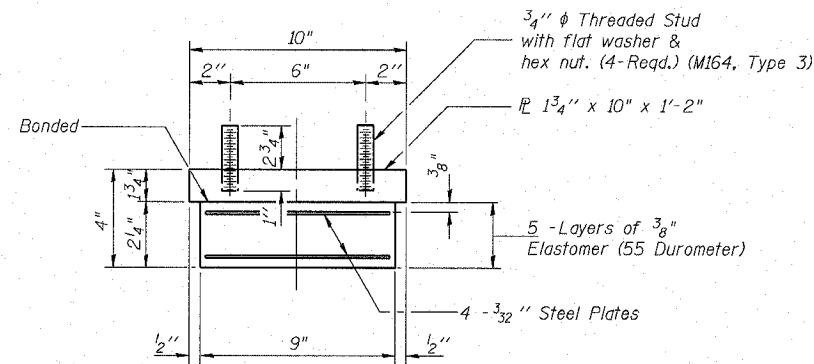
SECTION A-A

TYPE I ELASTOMERIC EXP. BRG. - SOUTH ABUTMENT
6 required



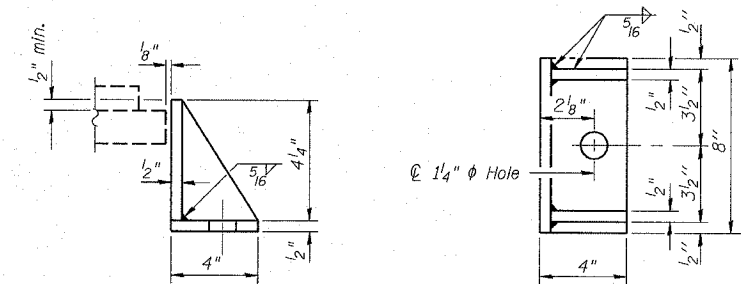
BEARING ASSEMBLY - NORTH ABUTMENT

Note: Shim plates shall not be placed under Bearing Assembly.



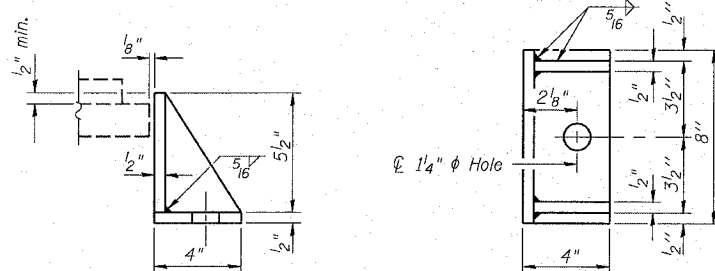
BEARING ASSEMBLY - SOUTH ABUTMENT

Note: Shim plates shall not be placed under Bearing Assembly.



SIDE RETAINER - SOUTH ABUTMENT

Equivalent rolled angle with stiffeners will be allowed in lieu of welded plates. Weight included with Structural Steel.



SIDE RETAINER - NORTH ABUTMENT

Equivalent rolled angle with stiffeners will be allowed in lieu of welded plates. Weight included with Structural Steel.

BILL OF MATERIAL

Item	Unit	Total
Elastomeric Bearing Assembly Type I	Each	12

ABUTMENT BEARINGS
IL RTE 40 OVER GREEN RIVER
F.A.P. 646 SECTION (102)BR-2
WHITESIDE COUNTY
STATION 674+77.63
S.N. 098-0018

DESIGNED	DDB	<p>RANDOLPH & ASSOCIATES, INC. 111 N. FORTHER STREET, PEORIA, IL 61604-2124 TEL: 309-251-2900 FAX: 309-251-2905 CONSULTING ENGINEERS - LAND SURVEYORS</p>	FILE NUMBER	136.111
CHECKED	JFJ		DATE	Aug. 2005
DRAWN	JDB			
CHECKED	DDB			

R:\Projects\0136\0136-111 green ph 1\Br Idge P\anser\11 BEARINGS.dgn

9/9/2005 9:46:03 AM