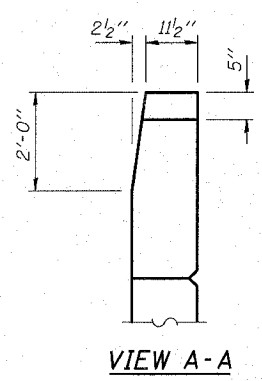
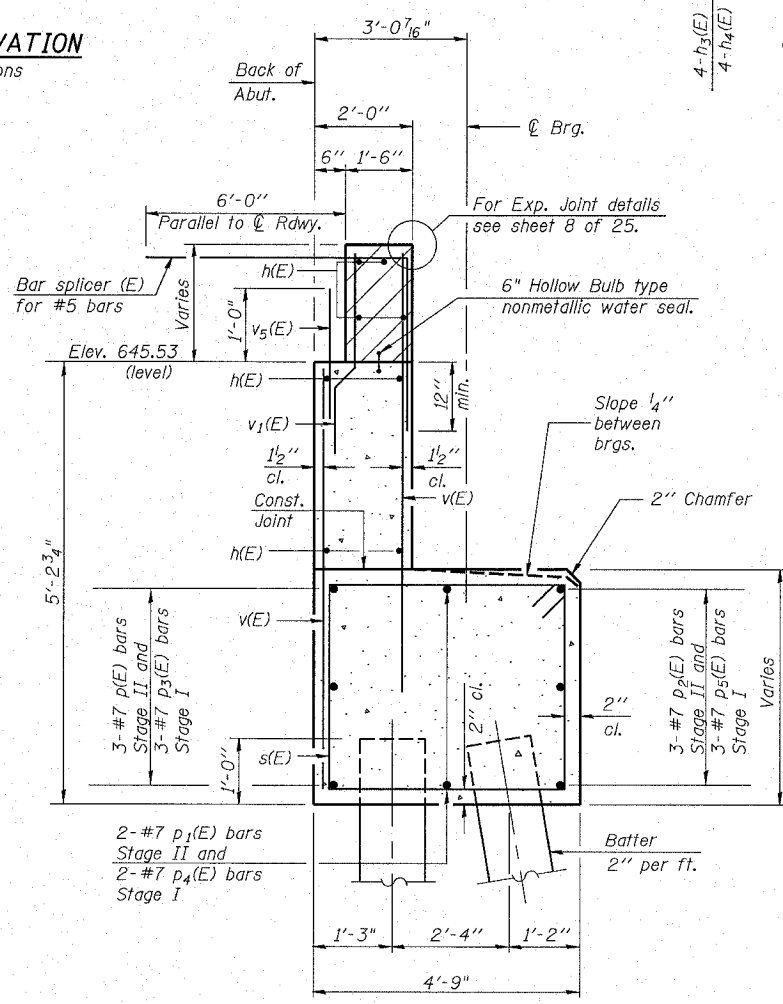


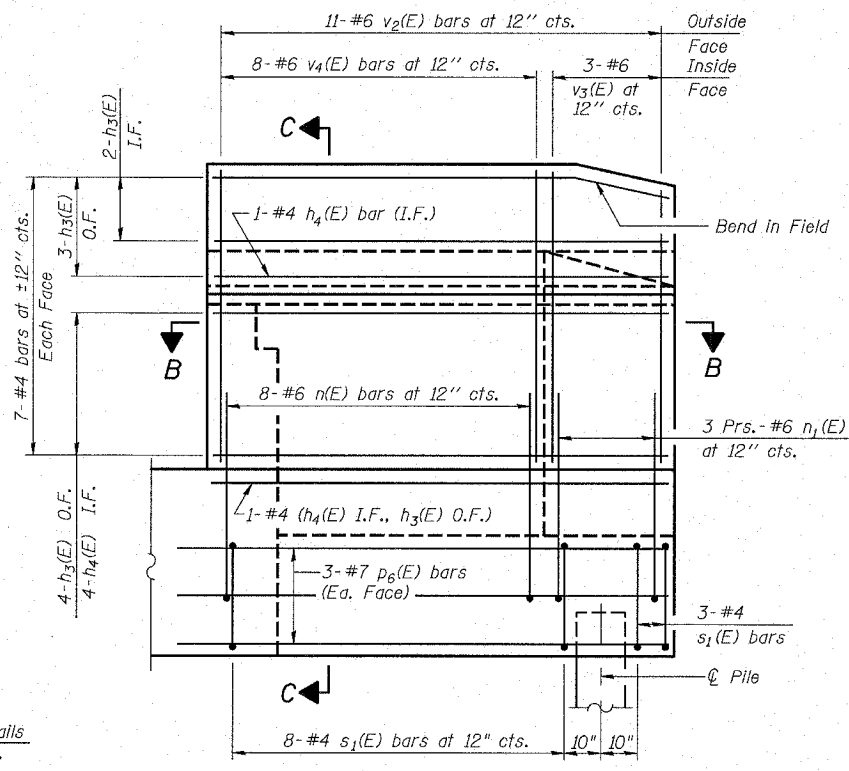
**WING WALL ELEVATION**  
Showing Dimensions



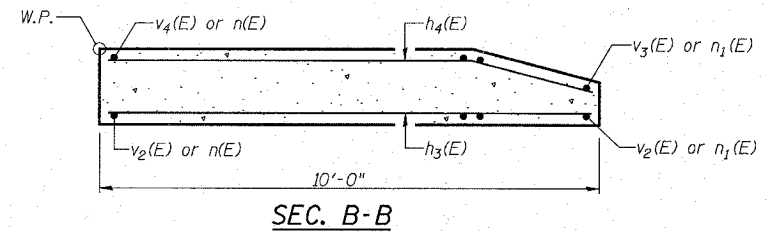
**VIEW A-A**



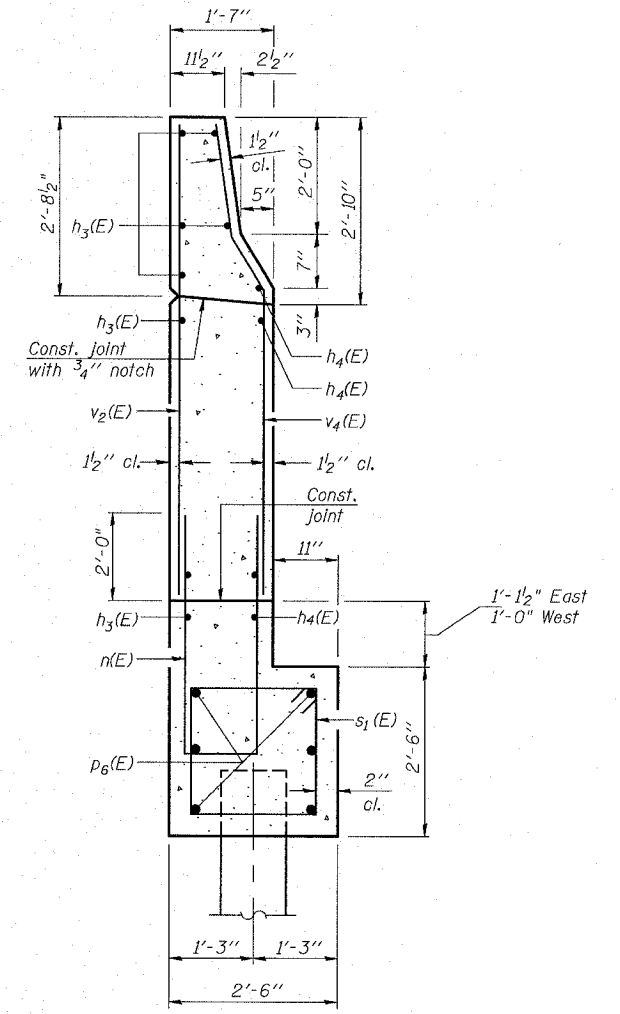
**SEC. THRU ABUT.**  
(at right angles to abut.)



**WING WALL ELEVATION**  
Showing Reinforcement



**SEC. B-B**



**SEC. C-C**

Notes: Hatched area to be poured after superstructure forms have been removed. Quantity of concrete included with Concrete Superstructure. Space reinforcement in cap to miss anchor bolts. Pour steps monolithically with cap. Reinforcement bars designated (E) shall be epoxy coated. Quantity of concrete in end post included with Concrete Superstructure on sheet 7 of 24.

**SOUTH ABUTMENT DETAILS**  
IL RTE 40 OVER GREEN RIVER  
F.A.P. 646 SECTION (102)BR-2  
WHITESIDE COUNTY  
STATION 674+77.63  
S.N. 098-0018

DESIGNED	DDB	<p>RANDOLPH &amp; ASSOCIATES, INC. 111 S. PIERCE AVENUE, P.O. BOX 2124 MILWAUKEE, WISCONSIN 53212 TEL: 414-224-0000 FAX: 414-224-0001 WWW.RANDOLPHINC.COM</p>	FILE NUMBER	136.111
CHECKED	JFJ		DATE	Aug. 2005
DRAWN	JDB			
CHECKED	DDB			

R:\Projects\0136\0136-111 green ph 11\Bridg Planser\17 SOUTH ABUT DETAILS.dgn

10:00:50 AM

8/9/2005