

140

120

100

80

60

40

20

0

20

40

60

80

100

120

140

UNLESS ELEVATIONS ARE SHOWN
 ALL UTILITY LOCATIONS SHOWN ON THE CROSS SECTIONS
 ARE BASED ON THE APPROXIMATE DEPTH SUPPLIED BY
 THE UTILITY COMPANY

DESIGNED BY: GJM
 CHECKED BY: GJM
 DRAWN BY: AMPL
 CHECKED BY: GJM

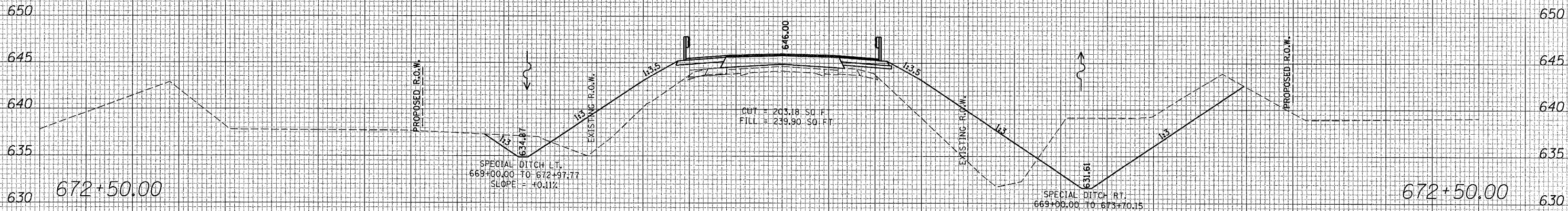


RANDOLPH & ASSOCIATES, INC.
 111 N. PULASKI AVENUE, SUITE 100
 CHICAGO, ILLINOIS 60610
 TEL: 312.329.1100 FAX: 312.329.1101
 WWW: WWW.RANDOLPH-ASSOCIATES.COM

| | | | | |
|---|----------|-----------|--------------|-----------|
| F.A. RTE. | SECTION | COUNTY | TOTAL SHEETS | SHEET NO. |
| 646 | 102 BR-2 | WHITESIDE | 69 | 62 |
| STA. | TO STA. | | | |
| FED. ROAD DIST. NO. 2 ILLINOIS FED. AID PROJECT | | | | |

CONTRACT NO. 64427

FINAL SURVEY PLOTTED AREAS CHECKED



ORIGINAL SURVEY PLOTTED AREAS CHECKED

