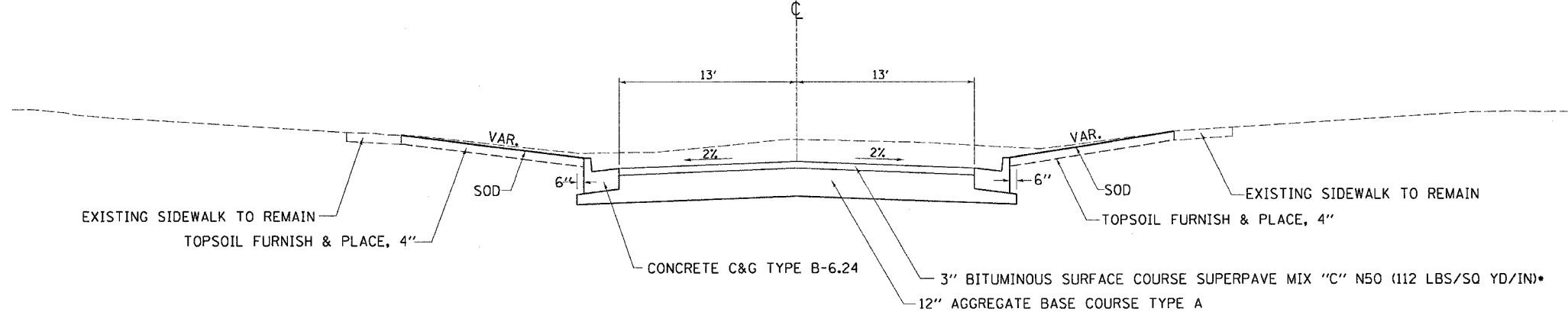


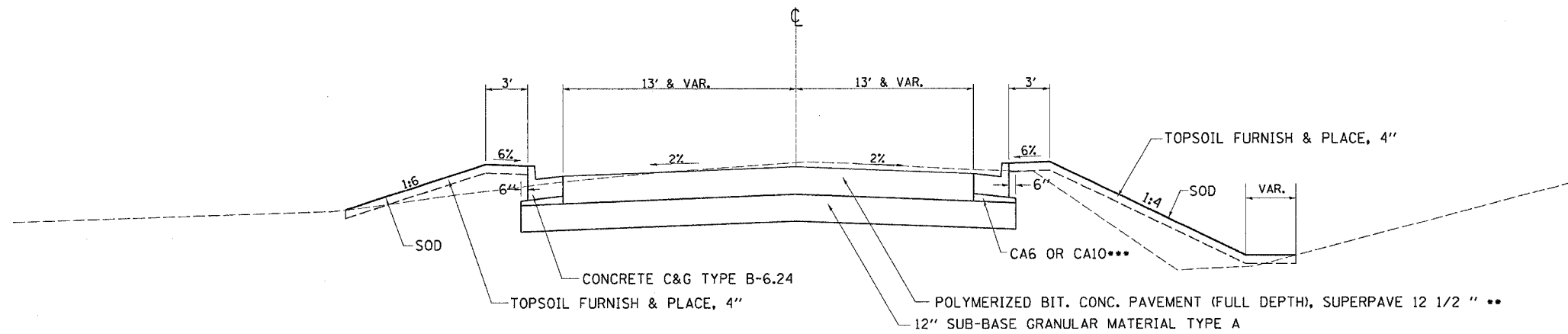
F.A. RTE.	SECTION	COUNTY	TOTAL SHEETS	SHEET NO.
573	116R-4	DEKALB	416	24
STA.		TO STA.		
FED. ROAD DIST. NO.		ILLINOIS	FED. AID PROJECT	

TYPICAL SECTIONS

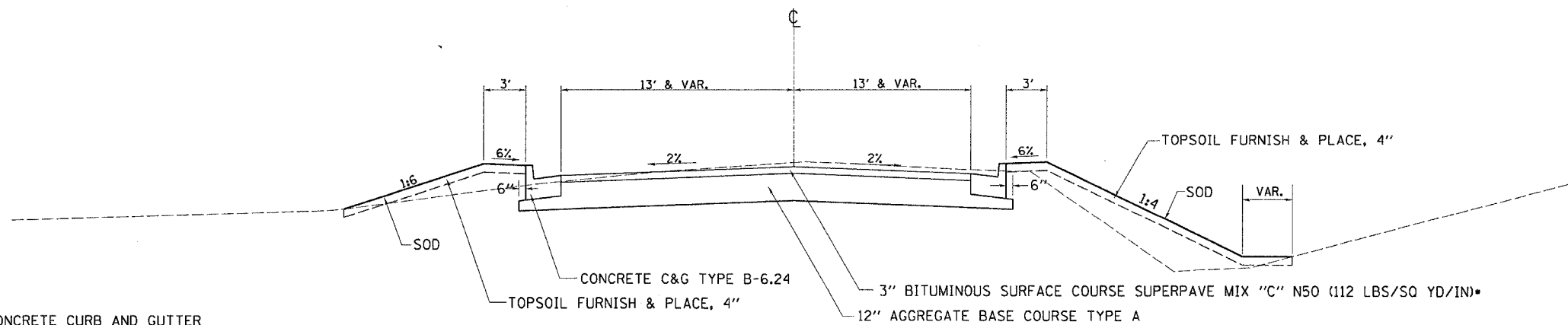
DONALD STREET
STA. 240+60.25 - STA. 244+42.85



SANDWICH ROAD
STA. 258+54.92 - STA. 259+20.54



REES STREET
STA. 260+53.18 - STA. 261+25.00



- PLACE IN 2 LIFTS
- SEE SCHEDULE FOR LOCATIONS
- COST TO BE INCLUDED IN COST OF CONCRETE CURB AND GUTTER