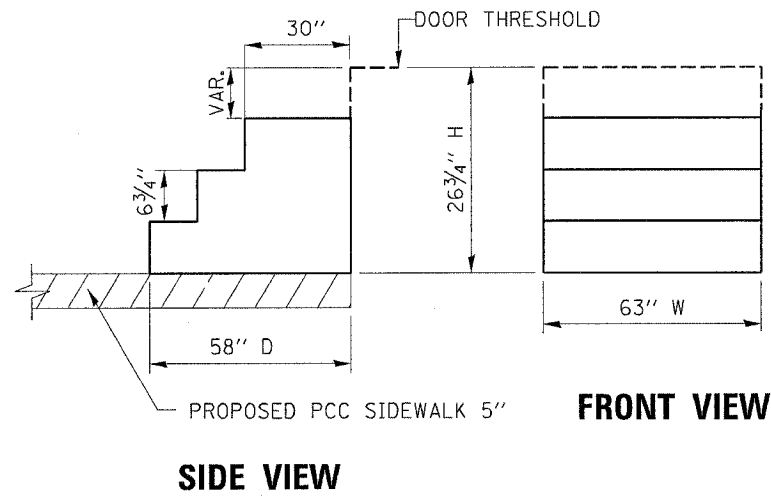


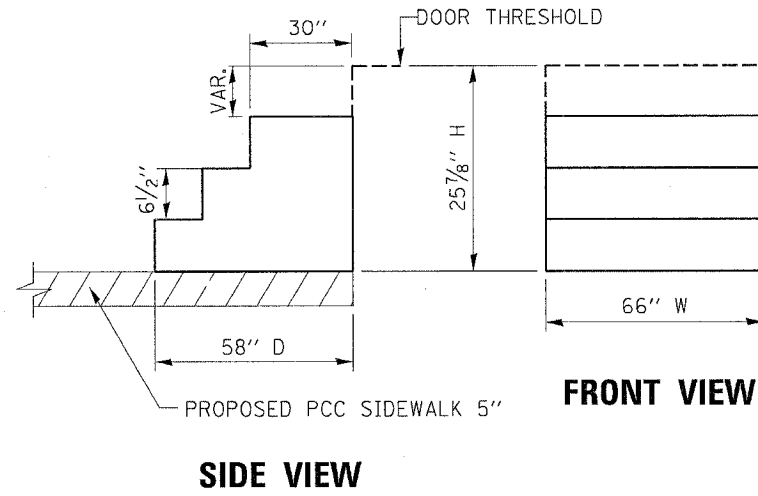
F.A.P. RTE.	SECTION	COUNTY	TOTAL SHEETS	SHEET NO.
573	116R-4	DEKALB	416	254
STA.		TO STA.		
FED. ROAD DIST. NO.		ILLINOIS FED. AID PROJECT		

STAIR DETAIL

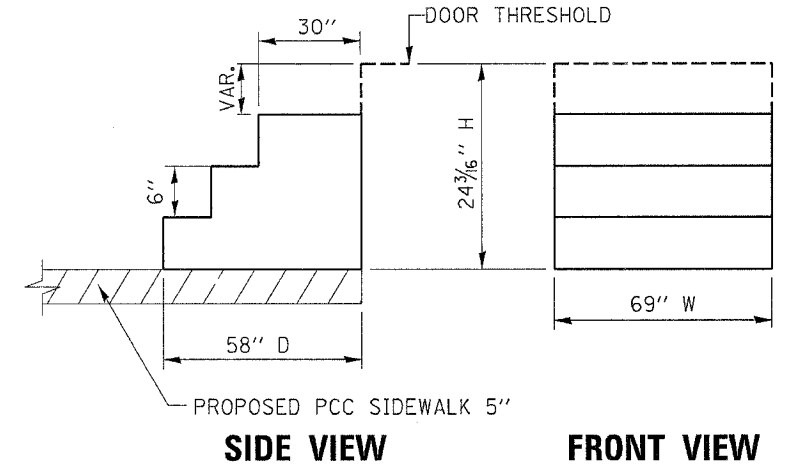
STA 828+55 LT



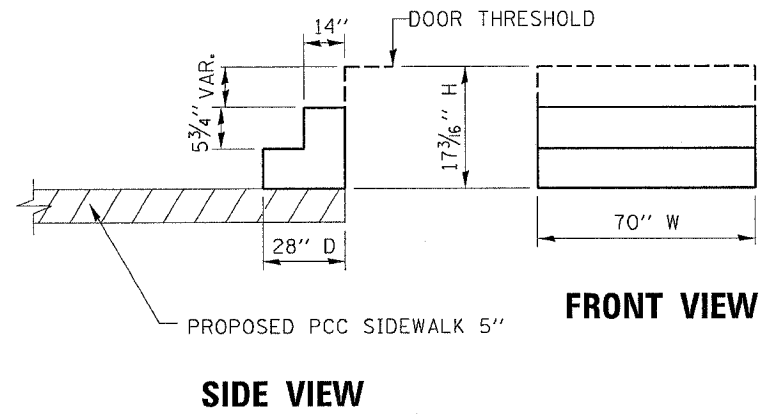
STA 828+68.40 LT



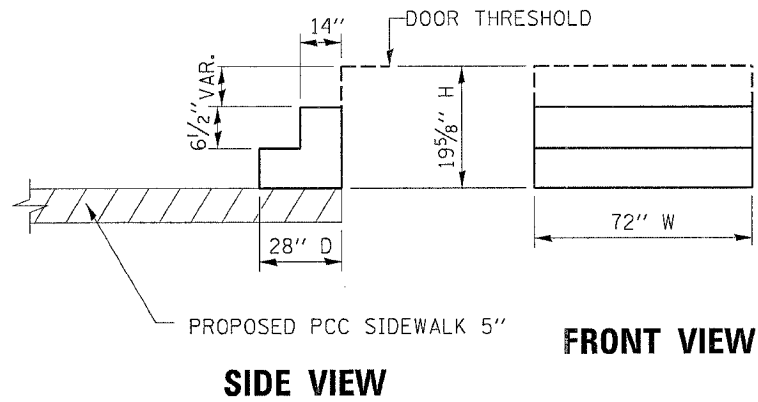
STA 828+81.90 LT



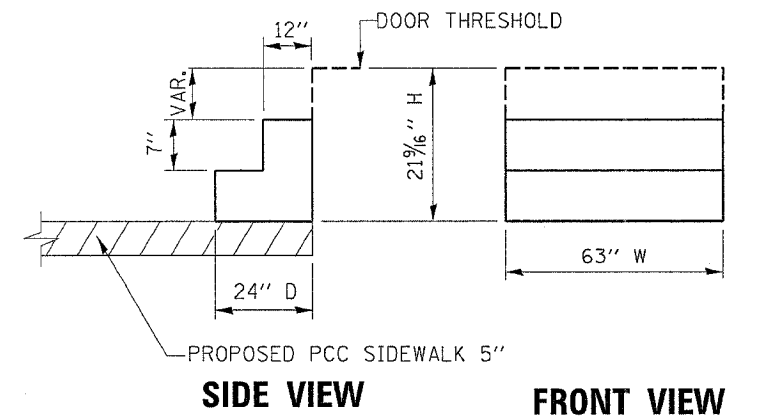
STA 829+16 LT



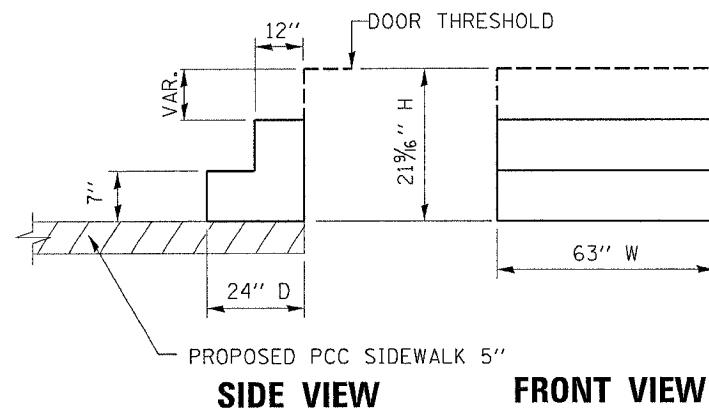
STA 831+78 LT



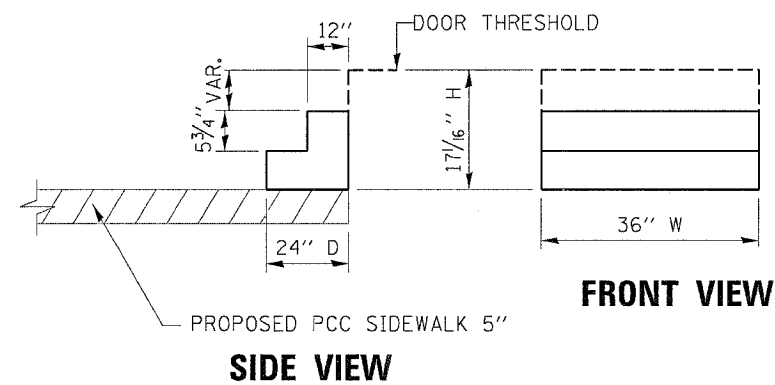
STA 831+88 LT



STA 832+01 LT



STA 833+11 LT



PLOT DATE = Fri, Sep 02 07:21:23 2005
 FILE NAME = C:\projects\sta\281700\081700.dgn
 USER NAME = jprasad

NOTE: ALL DIMENSIONS ARE IN INCHES

STAIR DETAIL