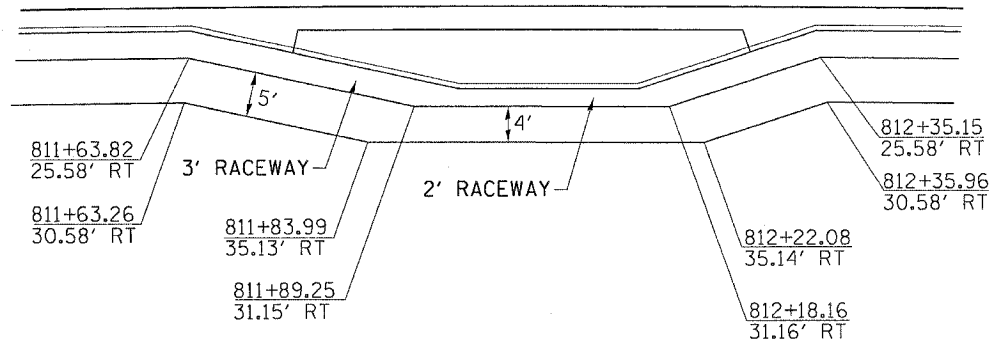


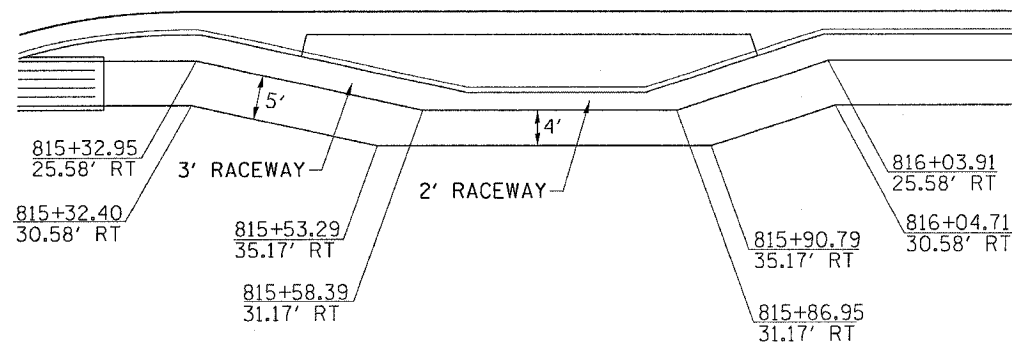
F.A. RTE.	SECTION	COUNTY	TOTAL SHEETS	SHEET NO.
573	116R-4	DEKALB	416	255
STA.		TO STA.		
FED. ROAD DIST. NO.	ILLINOIS	FED. AID PROJECT		

SIDEWALK DETAILS

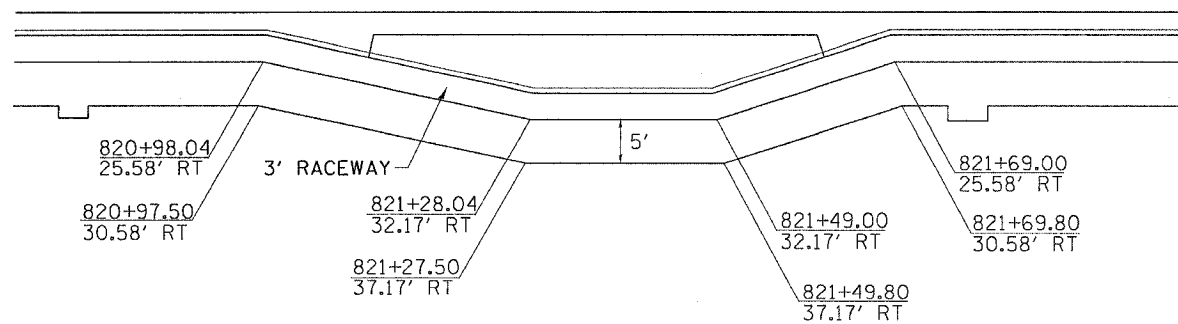
STA. 812 + 04.43 RT



STA. 815 + 73.35 RT



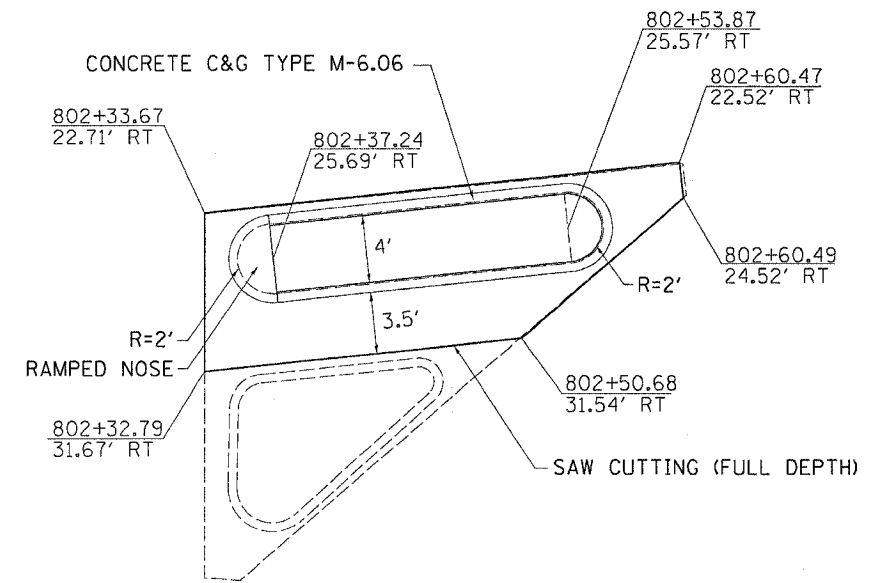
STA. 821 + 38.44 RT



FOR CROSS SECTION VIEW SEE DISTRICT STD. 3.1

ISLAND PAVEMENT REMOVAL AND REPLACEMENT DETAIL

MACK DR. ISLAND



GENERAL NOTE:
SEE SPECIAL PROVISION FOR ISLAND PAVEMENT REMOVAL AND REPLACEMENT,
FOR ADDITIONAL DETAILS AND METHOD OF PAYMENT.