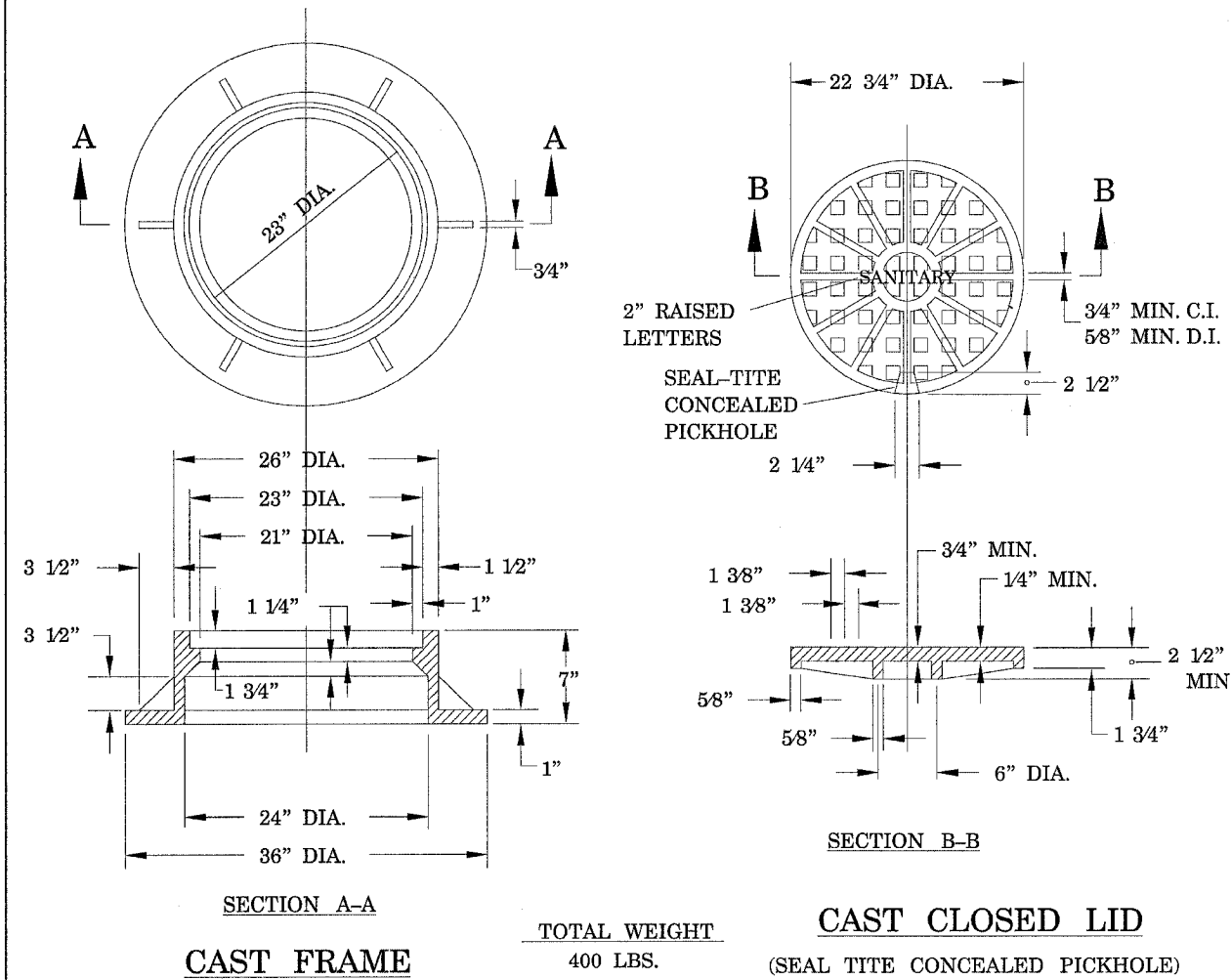


F.A. P. RY.	SECTION	COUNTY	TOTAL SHEETS	SHEET NO.
573	116R-4	DEKALB	416	257
STA.		TO STA.		
FED. ROAD DIST. NO.		ILLINOIS	FED. AID PROJECT	

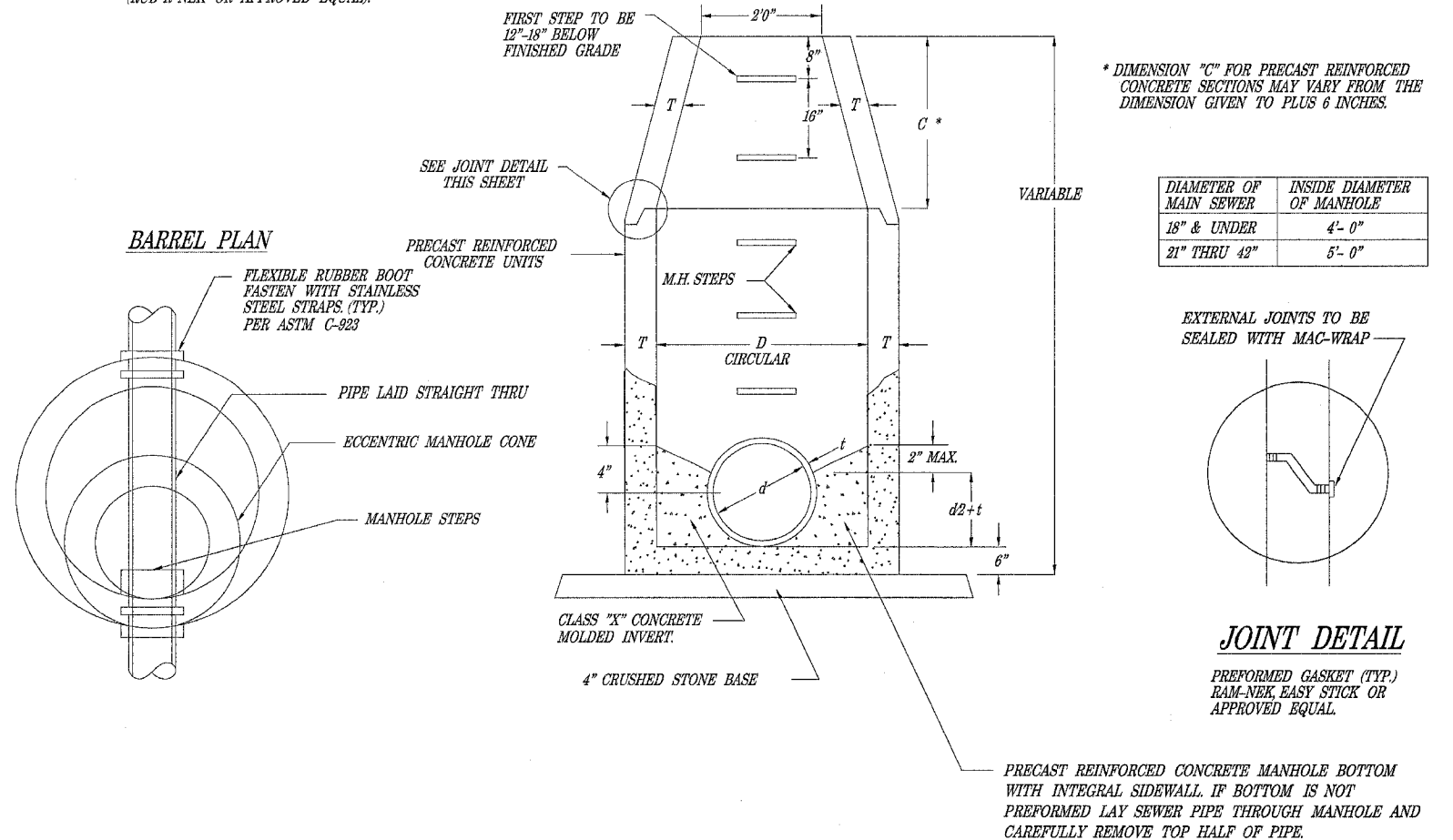
SANITARY MANHOLE FRAME & COVER



- DUCTILE IRON CASTING SHALL BE GRADE 60-40-18 AND SHALL BE TESTED IN ACCORDANCE WITH FEDERAL SPECIFICATIONS.
- ALL FRAMES AND COVERS SHALL HAVE MACHINED HORIZONTAL AND VERTICAL BEARING SURFACES, PICKHOLES SHALL NOT CREATE OPENINGS IN THE COVER.
- THE MANHOLE COVERS SHALL HAVE RAISED LETTERS AS SHOWN.
- ALTERNATIVE TO DUCTILE IRON LID, GRAY IRON LID MAY BE USED.
- MINIMUM WEIGHTS FOR THE CASTINGS AS SHOWN.
- DIMENSIONS FOR CASTINGS ARE COMPARABLE TO EAST JORDAN NO. 1022-3 OR NEENAH FOUNDRY 1772-C.
- WATERPROOF, BOLT DOWN FRAME AND COVER SHALL BE USED IN ANY LOCATION SUBJECT TO INUNDATION. NEENAH R-1916-C OR EAST JORDAN IRON WORKS 1022-3PT (OR APPROVED EQUAL).
- ALL CASTINGS SHALL BE SHOP PAINTED WITH AN ASPHALTIC BASE PAINT.

- NOTE:
- FRAME: NEENAH R-1772B
LID: SELF-SEALING CONCEALED PICK HOLE WITH THE WORD "SANITARY" CAST IN LID SET ON BITUMINOUS MASTIC OR RUBBER GASKET SEAL.
 - ADJUSTING RINGS, PRECAST REINFORCED CONC. 9" MAX., 2" MIN. SET IN A BED OF PREFORMED NON-HARDENING MASTIC (RUB-R-NEK OR APPROVED EQUAL).

MATERIAL FOR WALLS	D	C	T (MIN)
PRECAST REINFORCED CONCRETE SECTIONS	4'0"	2'6"	4"
	5'0"	3'9"	5"



SANITARY MANHOLE

(Not to Scale)

- NOTES:
- PRECAST REINFORCED CONCRETE RISERS, TOP & BOTTOM SHALL CONFORM TO ASTM C-478.
 - MANHOLE STEPS SHALL BE NEENAH R-1981-1 W/POLYPROPYLENE COATING SIMILAR TO MA INDUSTRY PS-I-PF OR APPROVED EQUAL.
 - WHERE REQUIRED, WATERPROOF FRAMES SHALL BE NEENAH R-1919 WITH LID, AS ABOVE OR APPROVED EQUAL.