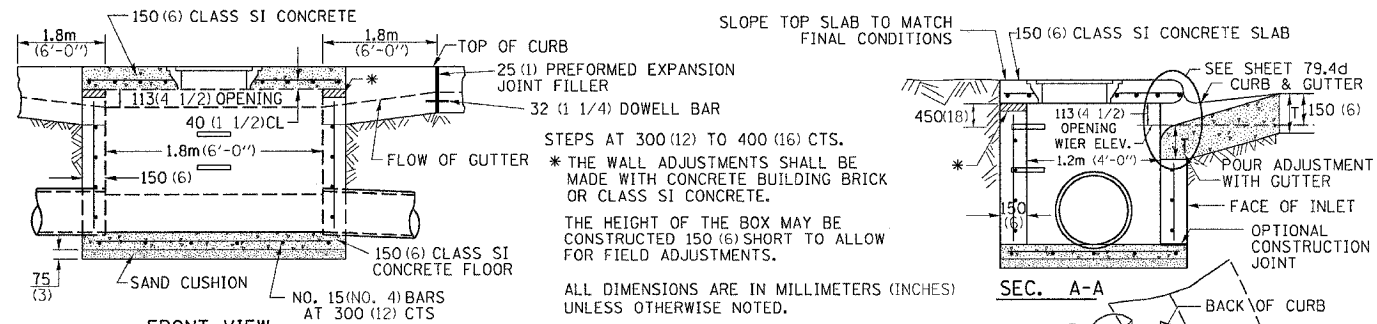


F.A. PR. RTE.	SECTION	COUNTY	TOTAL SHEETS	SHEET NO.
573	116R-4	DEKALB	416	261
STA.		TO STA.		
FED. ROAD DIST. NO.		ILLINOIS	FED. AID PROJECT	

INLET SPECIAL NO. 3



FRONT VIEW

NOTES

SEE STANDARD 602701 FOR DETAILS OF STEPS. 25 (1) PREFORMED EXPANSION JOINTS AS SHOWN SHALL BE PROVIDED ON EACH SIDE OF INLET. CLASS SI CONCRETE OR PRECAST CONCRETE SHALL BE USED THROUGHOUT. THE SIDE WALLS MAY BE BUILT AS PRECAST SEGMENTAL SECTIONS. REINFORCEMENT FOR INLET SPECIAL #3 SHALL BE ACCORDING TO DISTRICT STANDARD 79.4e

LIGHT WEIGHT MANHOLE CASTING

TOTAL WEIGHT 73 KG. (160 LBS.)

STEPS AT 300 (12) TO 400 (16) CTS. * THE WALL ADJUSTMENTS SHALL BE MADE WITH CONCRETE BUILDING BRICK OR CLASS SI CONCRETE. THE HEIGHT OF THE BOX MAY BE CONSTRUCTED 150 (6) SHORT TO ALLOW FOR FIELD ADJUSTMENTS. ALL DIMENSIONS ARE IN MILLIMETERS (INCHES) UNLESS OTHERWISE NOTED.

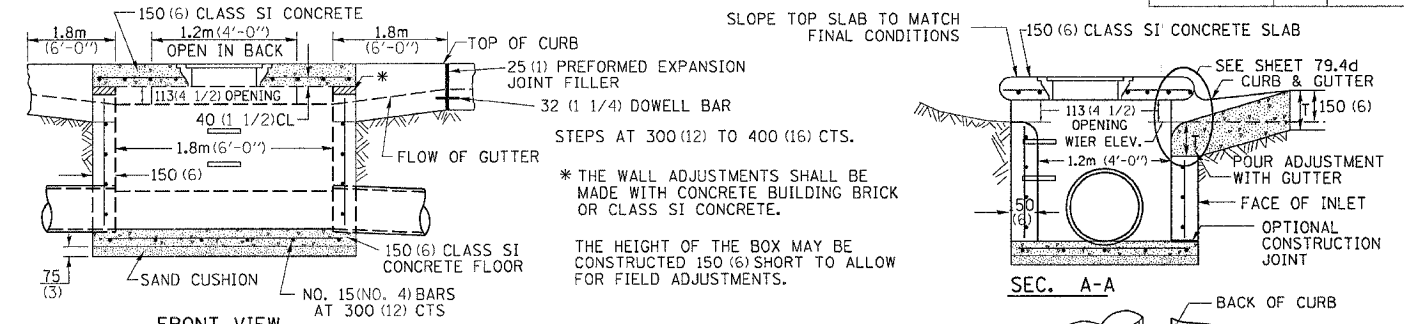
STEPS SHALL BE OMITTED WHEN DEPTH OF INLET IS LESS THAN 1.5 m (5 ft.). THE INLET SHALL BE CAST IN PLACE OR PRECAST. EXCEPT AS NOTED HEREON INLET SPECIAL NO. 3 SHALL BE CONSTRUCTED IN ACCORDANCE WITH SECTION 602 OF THE STANDARD SPECIFICATIONS. THE CONTRACT UNIT PRICE EACH FOR INLET SPECIAL NO. 3 SHALL INCLUDE THE COST OF FURNISHING AND INSTALLING THE FRAME, LID, REINFORCEMENT BARS, FLOOR AND TOP SLABS, CAST IRON STEPS (IF USED). THE CURB AND GUTTER WILL BE PAID FOR SEPARATELY AND WILL BE MEASURED THROUGH THE INLET. THE CURB AND GUTTER ADJACENT TO AND 1.8m (6 FT) ON EITHER SIDE OF THE INLET SHALL BE CONSTRUCTED AS SHOWN WITH NO ADDITIONAL COMPENSATION FOR THE TRANSITION.

** WHEN INLET IS CONSTRUCTED IN RETURN, THE TOP OF SLAB SHALL CONFORM TO THE RADIUS OF THE RETURN.

INLET SPECIAL NO. 3 79.4

REVISED 4-4-05

INLET SPECIAL NO. 4



FRONT VIEW

NOTES

SEE STANDARD 602701 FOR DETAILS OF STEPS. 25 (1) PREFORMED EXPANSION JOINTS AS SHOWN SHALL BE PROVIDED ON EACH SIDE OF INLET. CLASS SI CONCRETE OR PRECAST CONCRETE SHALL BE USED THROUGHOUT. THE SIDE WALLS MAY BE BUILT AS PRECAST SEGMENTAL SECTIONS. REINFORCEMENT FOR INLET SPECIAL NO. 4 SHALL BE ACCORDING TO DISTRICT STANDARD 79.4e

LIGHT WEIGHT MANHOLE CASTING

TOTAL WEIGHT 73 KG. (160 LBS.)

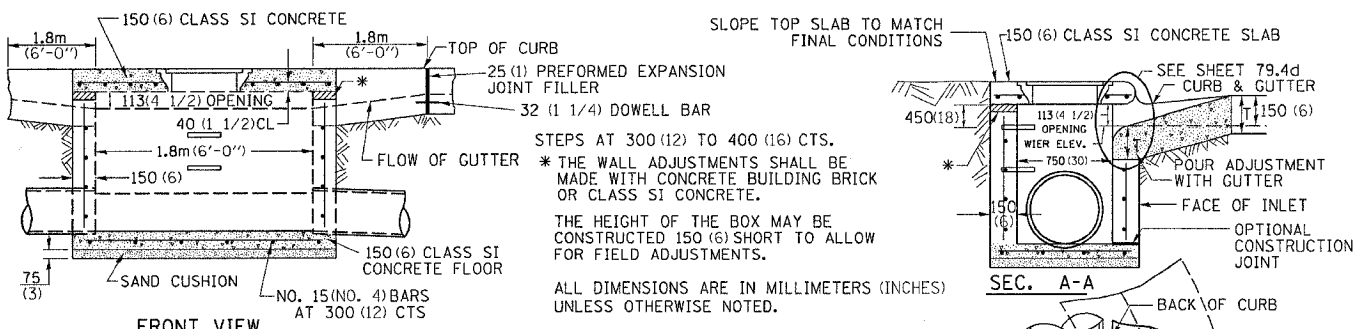
STEPS AT 300 (12) TO 400 (16) CTS. * THE WALL ADJUSTMENTS SHALL BE MADE WITH CONCRETE BUILDING BRICK OR CLASS SI CONCRETE. THE HEIGHT OF THE BOX MAY BE CONSTRUCTED 150 (6) SHORT TO ALLOW FOR FIELD ADJUSTMENTS. ALL DIMENSIONS ARE IN MILLIMETERS (INCHES) UNLESS OTHERWISE NOTED.

STEPS SHALL BE OMITTED WHEN DEPTH OF INLET IS LESS THAN 1.5 m (5 ft.). THE INLET SHALL BE CAST IN PLACE OR PRECAST. EXCEPT AS NOTED HEREON INLET SPECIAL NO. 4 SHALL BE CONSTRUCTED IN ACCORDANCE WITH SECTION 602 OF THE STANDARD SPECIFICATIONS. THE CONTRACT UNIT PRICE EACH FOR INLET SPECIAL NO. 4 SHALL INCLUDE THE COST OF FURNISHING AND INSTALLING THE FRAME, LID, REINFORCEMENT BARS, FLOOR AND TOP SLABS, CAST IRON STEPS (IF USED). THE CURB AND GUTTER WILL BE PAID FOR SEPARATELY AND WILL BE MEASURED THROUGH THE INLET. THE CURB AND GUTTER ADJACENT TO AND 1.8m (6 FT) ON EITHER SIDE OF THE INLET SHALL BE CONSTRUCTED AS SHOWN WITH NO ADDITIONAL COMPENSATION FOR THE TRANSITION.

INLET SPECIAL NO. 4 79.4a

REVISED 4-4-05

INLET SPECIAL NO. 5



FRONT VIEW

NOTES

SEE STANDARD 602701 FOR DETAILS OF STEPS. 25 (1) PREFORMED EXPANSION JOINTS AS SHOWN SHALL BE PROVIDED ON EACH SIDE OF INLET. CLASS SI CONCRETE OR PRECAST CONCRETE SHALL BE USED THROUGHOUT. THE SIDE WALLS MAY BE BUILT AS PRECAST SEGMENTAL SECTIONS. REINFORCEMENT FOR INLET SPECIAL NO. 5 SHALL BE ACCORDING TO DISTRICT STANDARD 79.4e

LIGHT WEIGHT MANHOLE CASTING

TOTAL WEIGHT 73 KG. (160 LBS.)

STEPS AT 300 (12) TO 400 (16) CTS. * THE WALL ADJUSTMENTS SHALL BE MADE WITH CONCRETE BUILDING BRICK OR CLASS SI CONCRETE. THE HEIGHT OF THE BOX MAY BE CONSTRUCTED 150 (6) SHORT TO ALLOW FOR FIELD ADJUSTMENTS. ALL DIMENSIONS ARE IN MILLIMETERS (INCHES) UNLESS OTHERWISE NOTED.

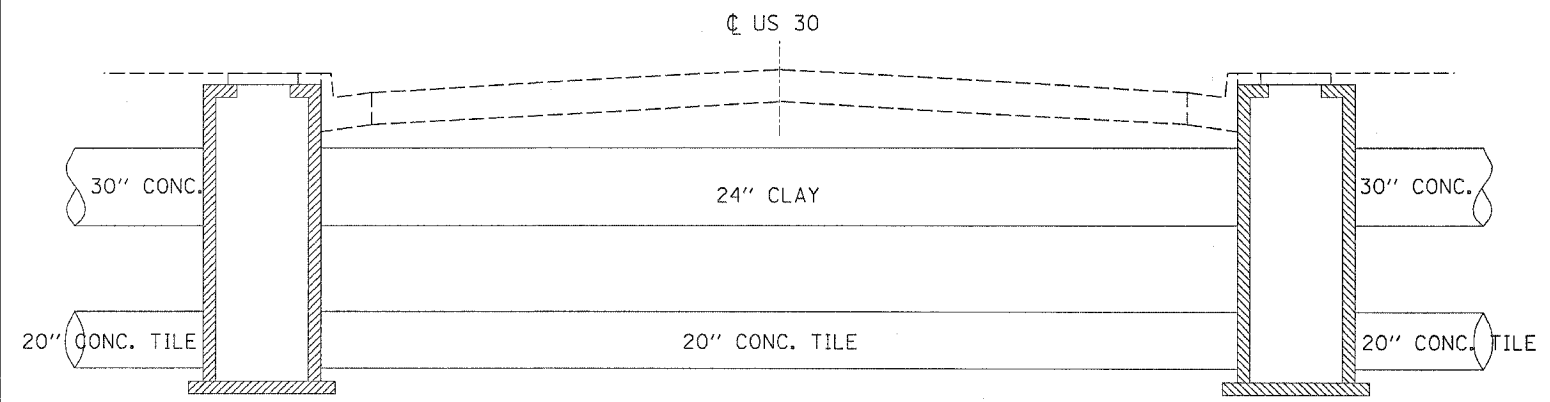
STEPS SHALL BE OMITTED WHEN DEPTH OF INLET IS LESS THAN 1.5 m (5 ft.). THE INLET SHALL BE CAST IN PLACE OR PRECAST. EXCEPT AS NOTED HEREON INLET SPECIAL NO. 5 SHALL BE CONSTRUCTED IN ACCORDANCE WITH SECTION 602 OF THE STANDARD SPECIFICATIONS. THE CONTRACT UNIT PRICE EACH FOR INLET SPECIAL NO. 5 SHALL INCLUDE THE COST OF FURNISHING AND INSTALLING THE FRAME, LID, REINFORCEMENT BARS, FLOOR AND TOP SLABS, CAST IRON STEPS (IF USED). THE CURB AND GUTTER WILL BE PAID FOR SEPARATELY AND WILL BE MEASURED THROUGH THE INLET. THE CURB AND GUTTER ADJACENT TO AND 1.8m (6 FT) ON EITHER SIDE OF THE INLET SHALL BE CONSTRUCTED AS SHOWN WITH NO ADDITIONAL COMPENSATION FOR THE TRANSITION.

** WHEN INLET IS CONSTRUCTED IN RETURN, THE TOP OF SLAB SHALL CONFORM TO THE RADIUS OF THE RETURN.

INLET SPECIAL NO. 5 79.4b

REVISED 4-4-05

STORM SEWER REMOVAL DETAIL STA. 815 + 88.60



PLOT DATE = Fri, Sep 02 07:12:22 2005
 FILE NAME = C:\projects\116R-4\116R-4.dwg
 PLOT SCALE = 1/8" = 1'-0"
 REFERENCE = REF