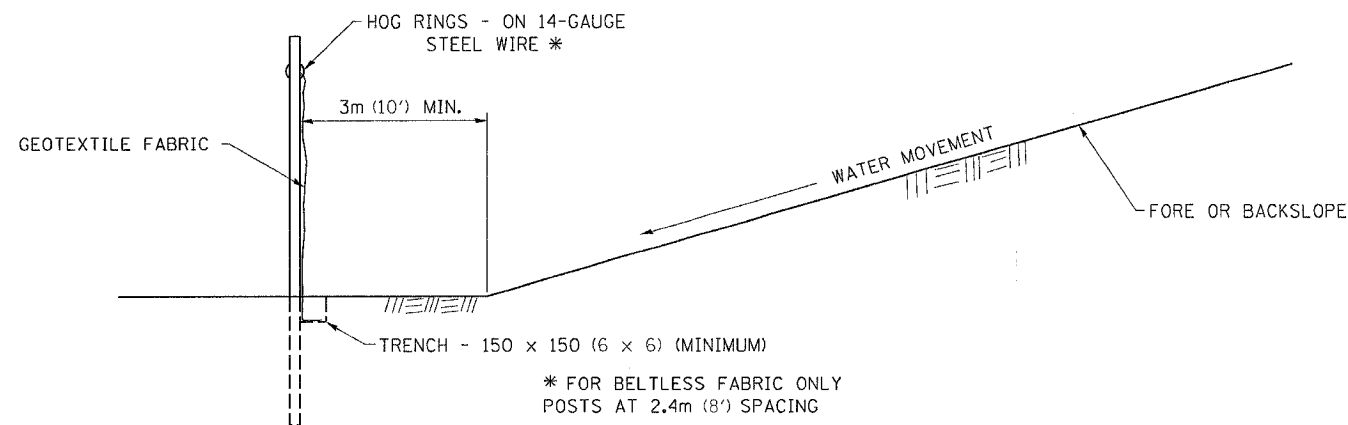
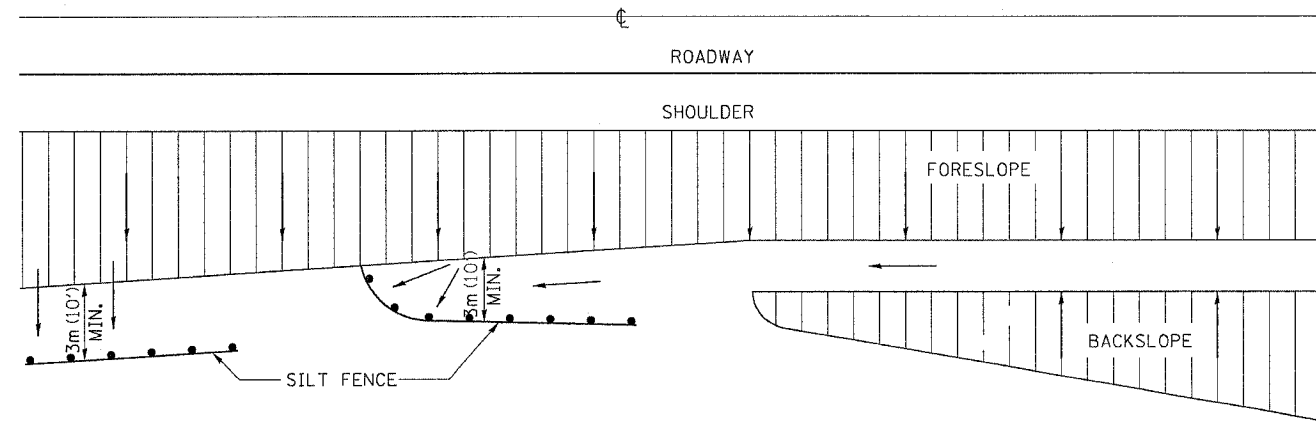


# EROSION CONTROL DETAILS FOR SILT FENCE



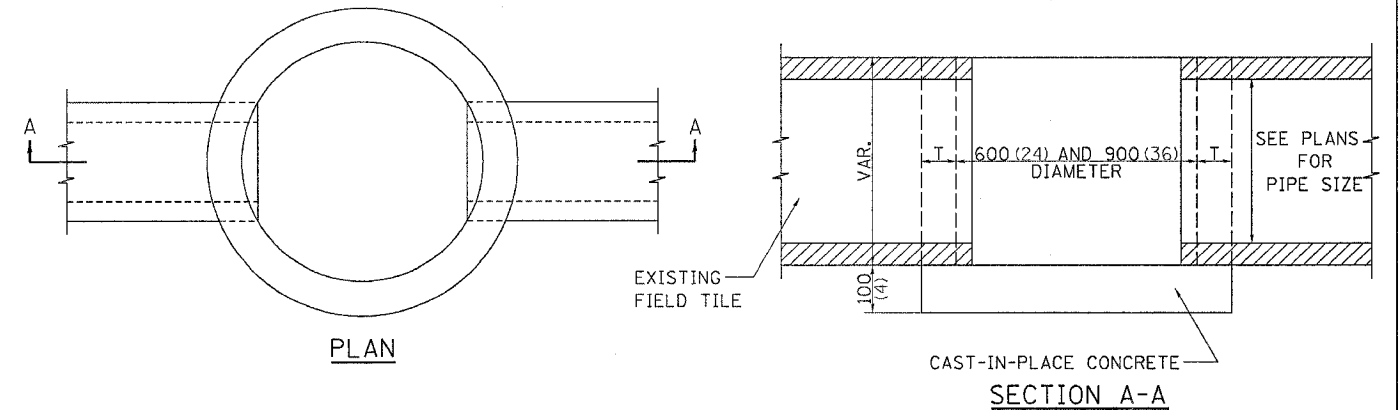
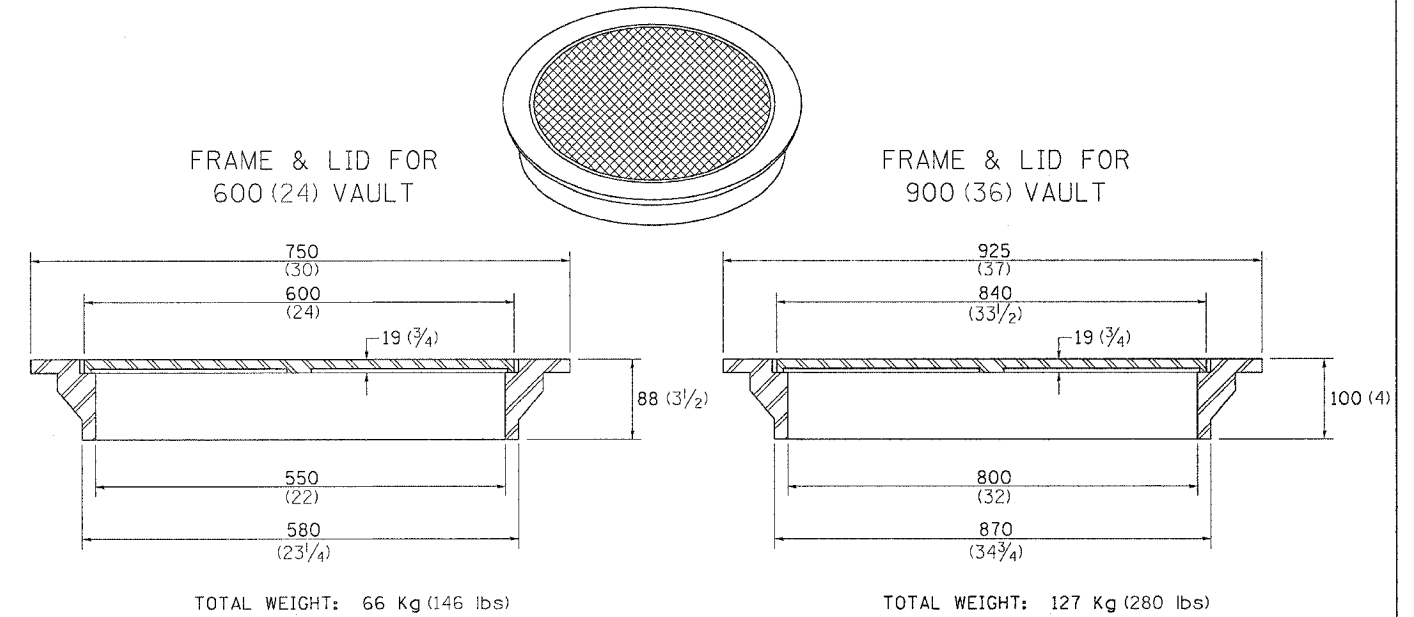
DETAILS OF SILT FENCE

PLOT DATE = Fri, Sep 02 07:42:26 2005  
 FILE NAME = C:\projects\2005\20051700\081700.dgn  
 PLOT SCALE = 1:1  
 REFERENCE = BRGS

ALL DIMENSIONS ARE IN MILLIMETERS (INCHES) UNLESS OTHERWISE NOTED.

# FIELD TILE JUNCTION VAULTS 600 (24) AND 900 (36) DIA.

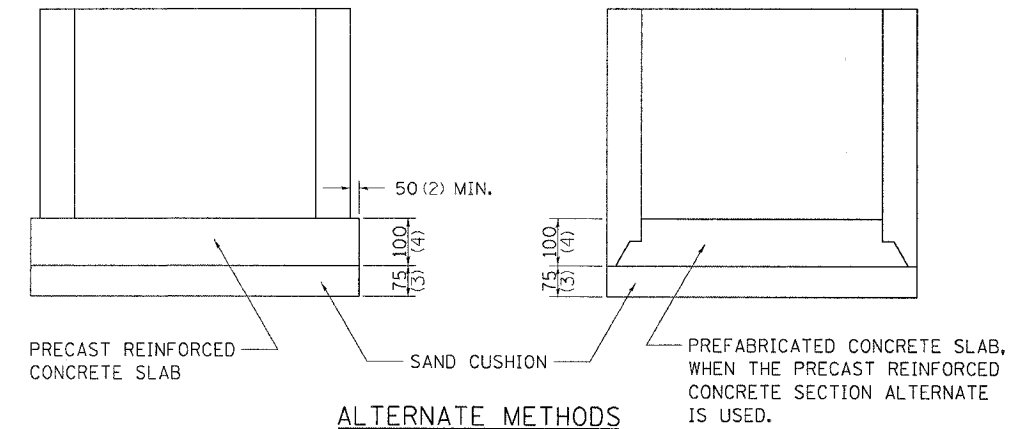
CONTRACT NO. 64517			
F.A. P. RTE.	SECTION	COUNTY	TOTAL SHEETS
573	116R-4	DEKALB	416
STA.		TO STA.	
FED. ROAD DIST. NO.		ILLINOIS FED. AID PROJECT	



ALTERNATE MATERIALS FOR WALLS	T
BRICK MASONRY	200 (8)
CAST-IN-PLACE CONCRETE	150 (6)
CONCRETE MASONRY UNIT	125 (5)
PRECAST REINFORCED CONCRETE SECTION	75 (3)

NOTE: THE FRAME AND LID IS REQUIRED ON ALL JUNCTION VAULTS.

ALL DIMENSIONS ARE IN MILLIMETERS (INCHES) UNLESS OTHERWISE NOTED.



REVISED 10-22-01

REVISED 5-03-94