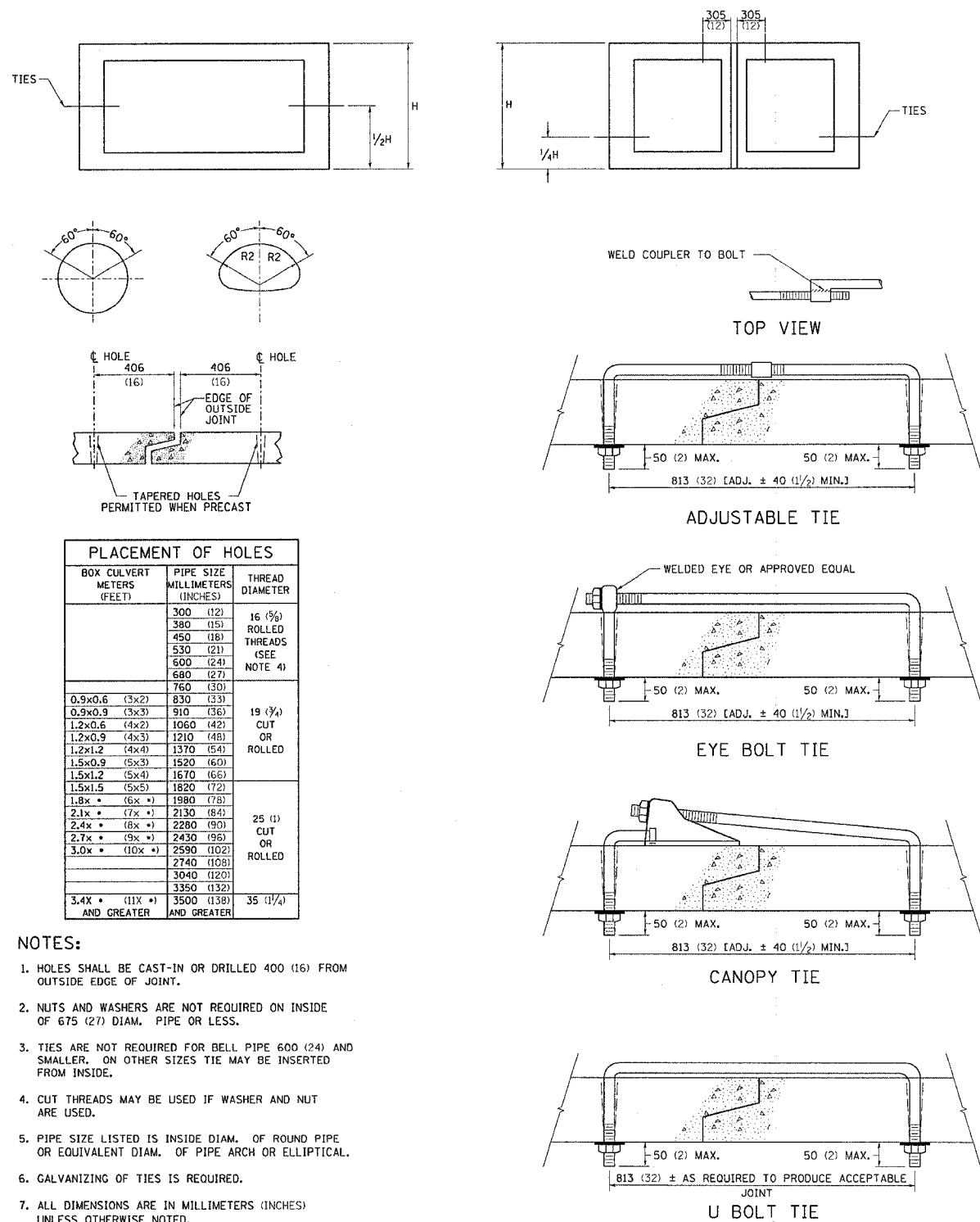


F.A.R. RTE.	SECTION	COUNTY	TOTAL SHEETS	SHEET NO.
523	1168-4	DEKALB	416	267A
STA.	TO STA.			
FED. ROAD DIST. NO.	ILLINOIS	FED. AID PROJECT		

MECHANICAL JOINTS FOR CONCRETE PIPE AND BOX CULVERTS

THE CULVERT TIES SHALL BE INCLUDED IN THE COST OF THE CONCRETE PIPE CULVERTS OR THE PRECAST CONCRETE BOX CULVERT. THE MECHANICAL TIES SHALL BE ON THE OUTSIDE OF THE CULVERT. THE NUTS AND WASHERS SHALL BE PLACED ON THE INSIDE OF THE CULVERT AND COVERED WITH MASTIC JOINT SEALER CONFORMING TO ARTICLES 1055 OR 1056 IN THE STANDARD SPECIFICATIONS FOR ROAD AND BRIDGE CONSTRUCTION.



PLACEMENT OF HOLES

BOX CULVERT METERS (FEET)	PIPE SIZE MILLIMETERS (INCHES)	THREAD DIAMETER
	300 (12)	16 (5/8)
	380 (15)	ROLLED THREADS (SEE NOTE 4)
	450 (18)	
	530 (21)	
	600 (24)	
	680 (27)	
	760 (30)	
0.9x0.6 (3x2)	830 (33)	19 (3/4)
0.9x0.9 (3x3)	910 (36)	CUT OR ROLLED
1.2x0.6 (4x2)	1060 (42)	
1.2x0.9 (4x3)	1210 (48)	
1.2x1.2 (4x4)	1370 (54)	
1.5x0.9 (5x3)	1520 (60)	
1.5x1.2 (5x4)	1670 (66)	
1.5x1.5 (5x5)	1820 (72)	
1.8x * (6x *)	1980 (78)	
2.1x * (7x *)	2130 (84)	
2.4x * (8x *)	2280 (90)	
2.7x * (9x *)	2430 (96)	
3.0x * (10x *)	2590 (102)	
	2740 (108)	
	3040 (120)	
	3350 (132)	
3.4x * (11x *) AND GREATER	3500 (138) AND GREATER	25 (1)

NOTES:

- HOLES SHALL BE CAST-IN OR DRILLED 400 (16) FROM OUTSIDE EDGE OF JOINT.
- NUTS AND WASHERS ARE NOT REQUIRED ON INSIDE OF 675 (27) DIAM. PIPE OR LESS.
- TIES ARE NOT REQUIRED FOR BELL PIPE 600 (24) AND SMALLER. ON OTHER SIZES TIE MAY BE INSERTED FROM INSIDE.
- CUT THREADS MAY BE USED IF WASHER AND NUT ARE USED.
- PIPE SIZE LISTED IS INSIDE DIAM. OF ROUND PIPE OR EQUIVALENT DIAM. OF PIPE ARCH OR ELLIPTICAL.
- GALVANIZING OF TIES IS REQUIRED.
- ALL DIMENSIONS ARE IN MILLIMETERS (INCHES) UNLESS OTHERWISE NOTED.

PLOT DATE = Wed Sep 14 14:19:34 2005
 FILE NAME = C:\projects\190201780\081708.dwg
 PLOT SCALE = 50:8000 / IN.
 REFERENCE = REF#