

F.A. P. RTE.	SECTION	COUNTY	TOTAL SHEETS	SHEET NO.
573	116R-4	DEKALB	416	271
STA.		TO STA.		
FED. ROAD DIST. NO.		ILLINOIS FED. AID PROJECT		

PC CONCRETE ISLANDS AND MEDIANS ACCESSIBLE TO THE DISABLED

General Notes:

See Standard 606301 and plan sheets for station & offsets, radii, dimensions, and details not shown.

The sidewalk should drain to the low side of the island. If necessary the sidewalk shall be sloped to drain at a maximum 2% grade.

See the plan general notes for the type of curb & gutter to be used on islands.

Curb & gutter adjacent to the walkway in the interior of the island shall have 150 (6) gutter flags.

The sidewalk should not be closer than 900 (36) from the corner of the island.

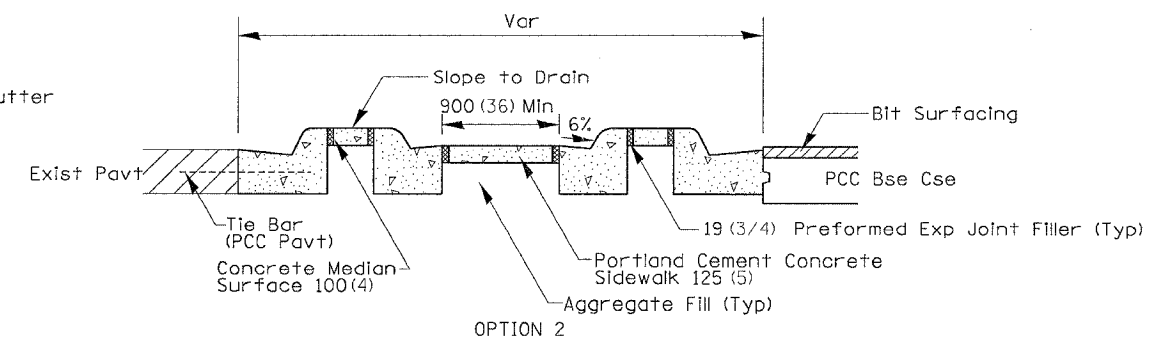
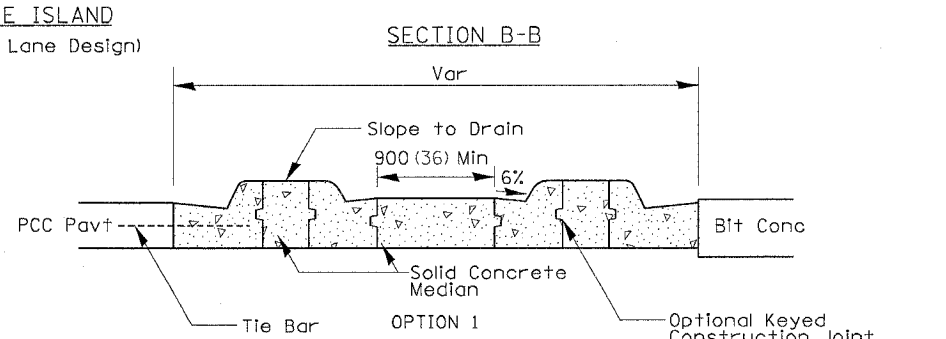
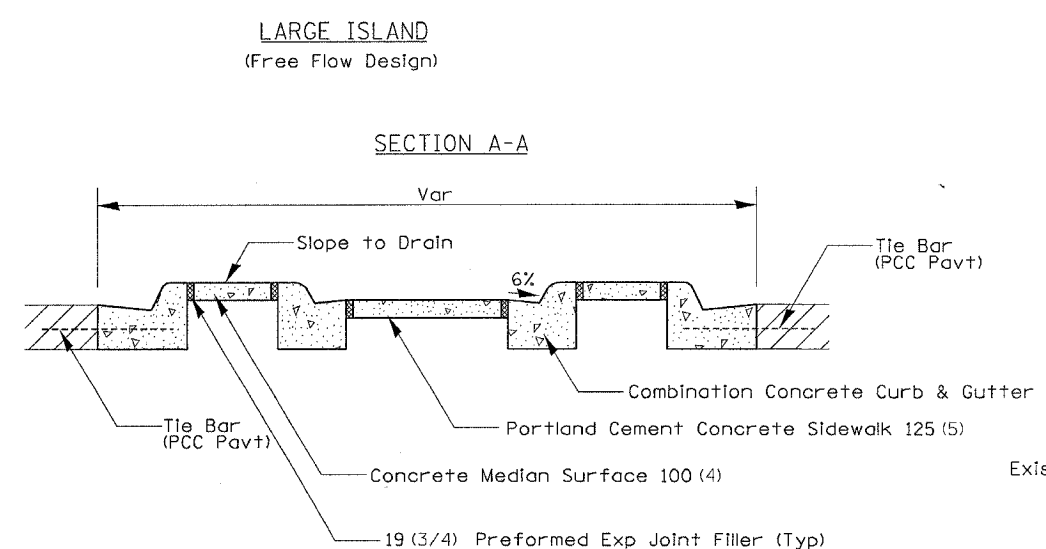
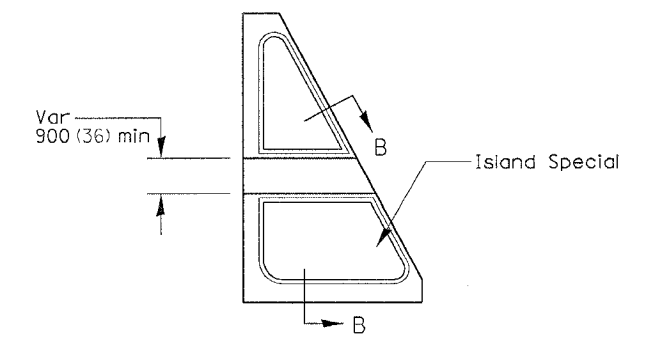
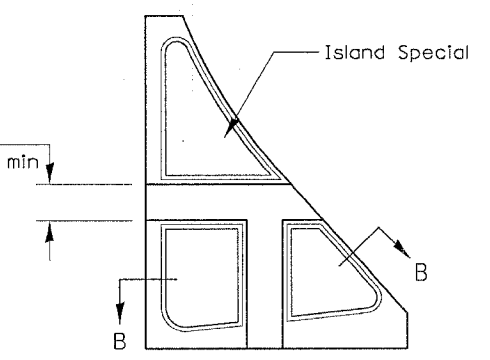
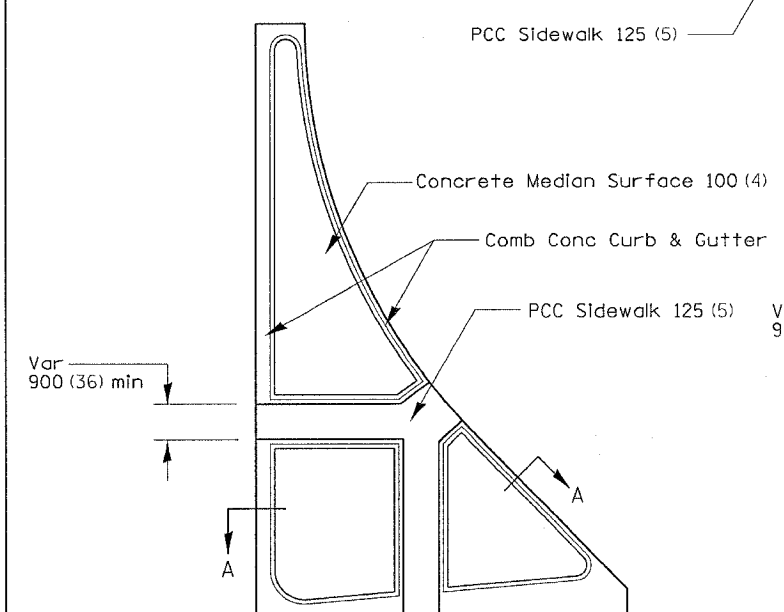
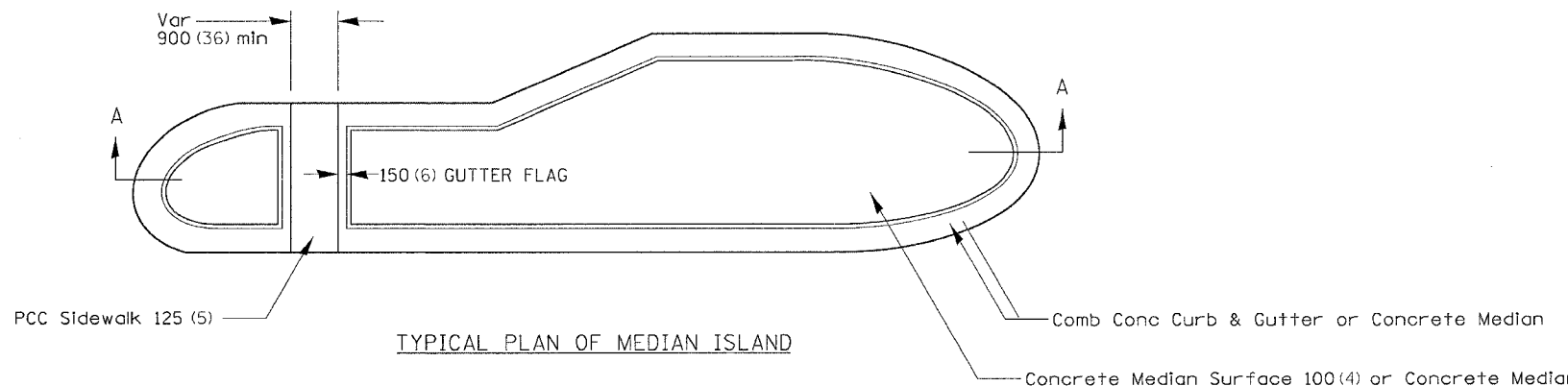
Keyed longitudinal construction joints shall be constructed without tie bars.

Medians and large islands shall consist of PCC Sidewalk 125 (5), Concrete Median Surface 100 (4), and Combination Concrete Curb & Gutter, Type M or B of the size specified. Median Island can also be solid concrete medians.

Locations, layouts, and widths of the flush sidewalk area, shall be determined by the designer and shown on the plans.

The intermediate and small islands will be measured for payment from E.O.P. to E.O.P. using either option 1 or option 2, as directed by the Engineer, and will be paid for at the contract unit price per SQ M (SQ YD) for ISLAND SPECIAL, which shall include the combination curb & gutter, sidewalk, aggregate fill, concrete median surface, and solid concrete median.

ALL DIMENSIONS ARE IN MILLIMETERS (INCHES) UNLESS OTHERWISE NOTED.



PLOT DATE = Fri, Sep 02 07:10:39 2005
 FILE NAME = C:\p02\12071786\481786.dgn
 PLOT SCALE = 50.0000 / IN.
 REFERENCE = *REF*