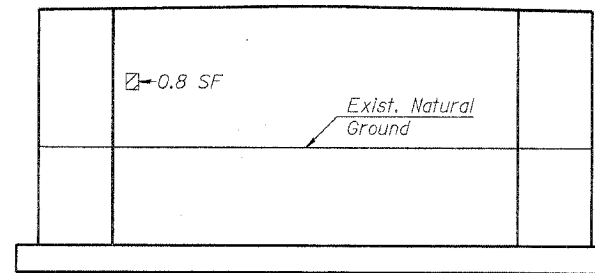
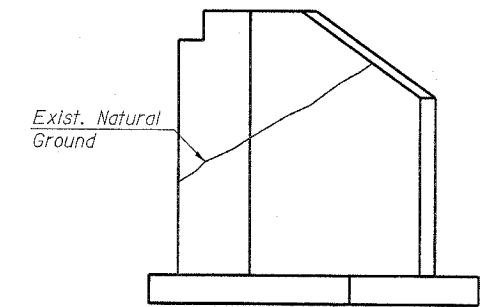


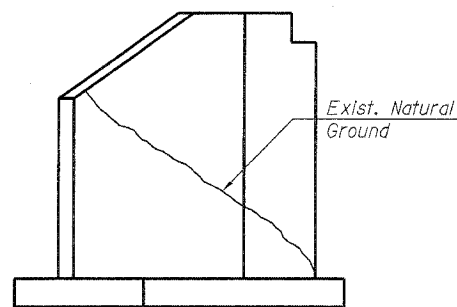
SOUTHWEST WINGWALL



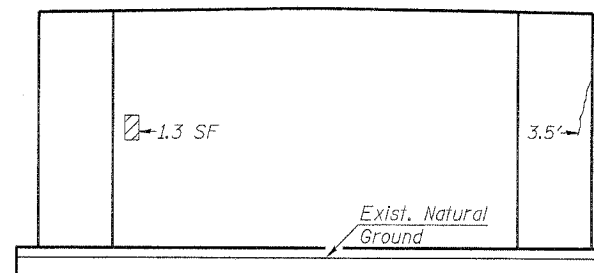
WEST ABUTMENT



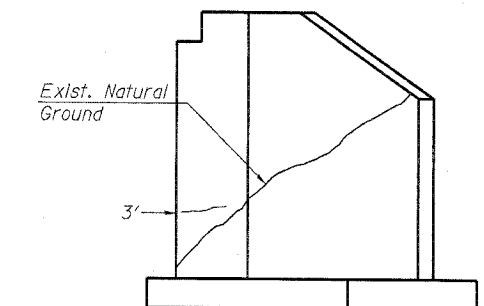
NORTHWEST WINGWALL



NORTHEAST WINGWALL



EAST ABUTMENT



SOUTHEAST WINGWALL

**BILL OF MATERIAL**

Item	Unit	Total
Epoxy Crack Sealing	Foot	9.5
Polymer Modified Portland Cement Mortar	Sq. Ft.	2.1

**LEGEND**

- 3' Epoxy Crack Sealing
- ▨ Polymer Modified Portland Cement Mortar

Notes:  
The quantities shown are for estimating purposes only. Area to be repaired will be determined by the Engineer at the time of Construction. Actual repair locations shall be shown on the as-built plans.

**LIN ENGINEERING, LTD.**  
20 W. Chestnut  
1271-1281-1282  
Chattanooga, Illinois 62629  
FAX 618-423-1128  
Developed By: DLS Checked By: MTH Drawn By: JM  
Date: 07/05 File: 0810034.DGN

REVISIONS	
NAME	DATE

ILLINOIS DEPARTMENT OF TRANSPORTATION  
**CONCRETE REPAIR**  
MOLINE ROAD OVER ZUMA CREEK  
F.A.S. ROUTE 203-SECTION 9BR-M  
ROCK ISLAND COUNTY  
STATION 92+92.75  
STRUCTURE NO. 081-0034