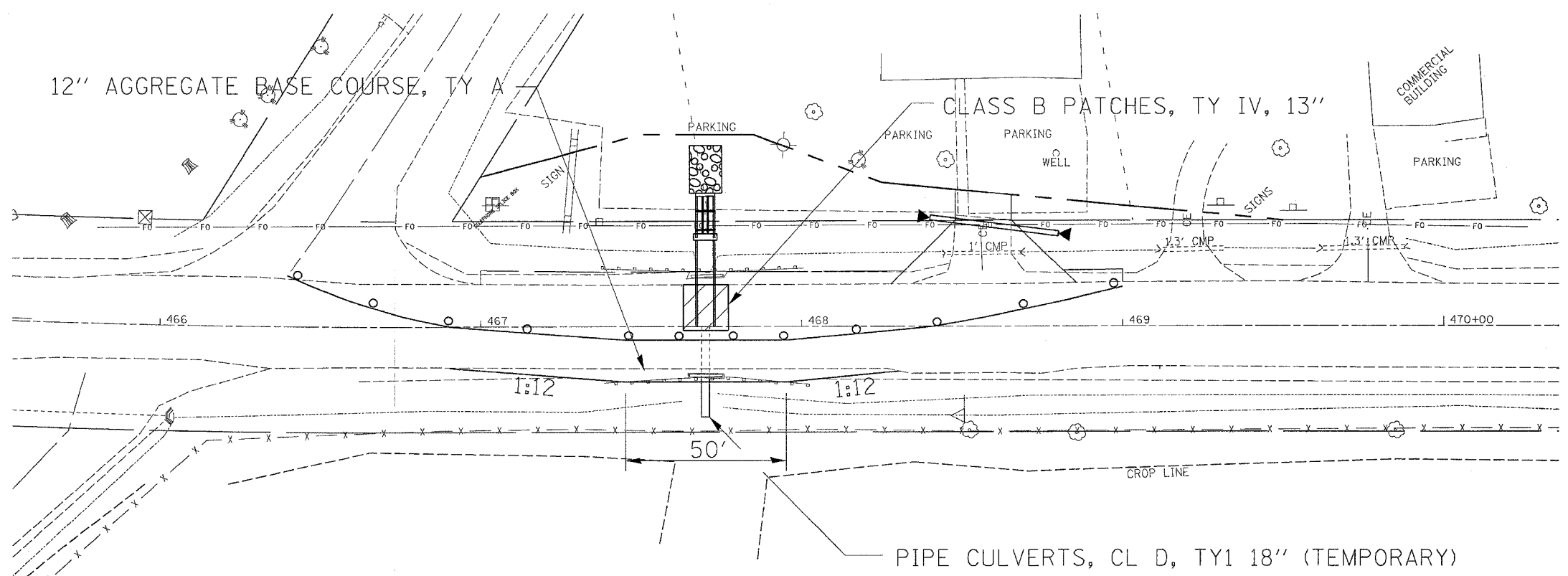
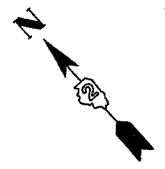


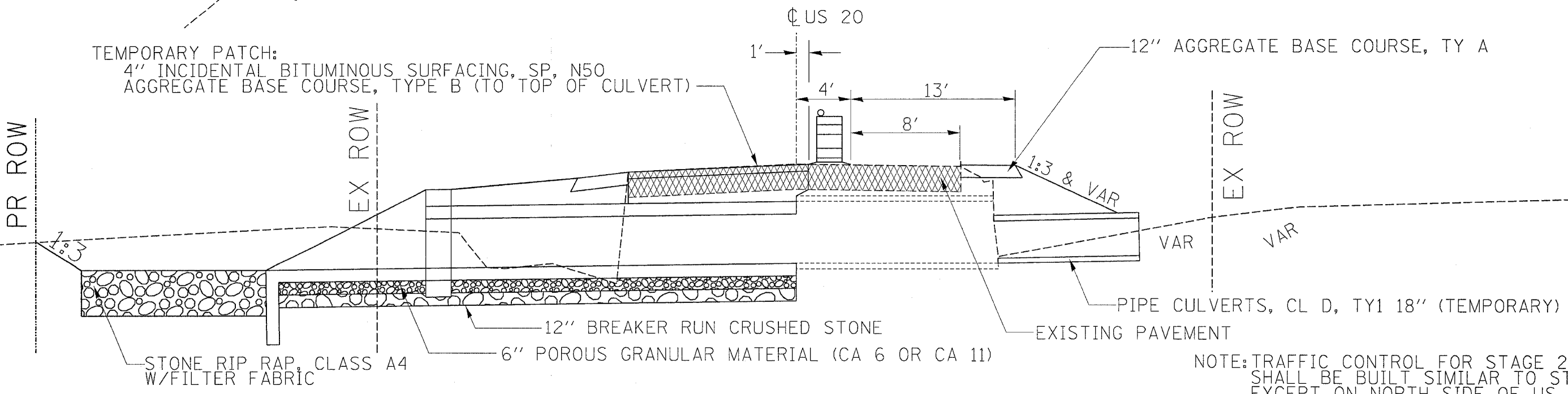
F.A.P. RTE.	SECTION	COUNTY	TOTAL SHEETS	SHEET NO.
301	21-T	STEPHENSON	49	16
STA.		TO STA.		
FED. ROAD DIST. NO.		ILLINOIS FED. AID PROJECT		

# CULVERT DETAILS

## STA. 467 + 70.16



TEMPORARY PATCH:  
 4" INCIDENTAL BITUMINOUS SURFACING, SP, N50  
 AGGREGATE BASE COURSE, TYPE B (TO TOP OF CULVERT)



NOTE: TRAFFIC CONTROL FOR STAGE 2 SHALL BE BUILT SIMILAR TO STAGE 1 EXCEPT ON NORTH SIDE OF US 20

PLOT DATE  
 FILE NAME  
 PLOT SCALE  
 USER NAME