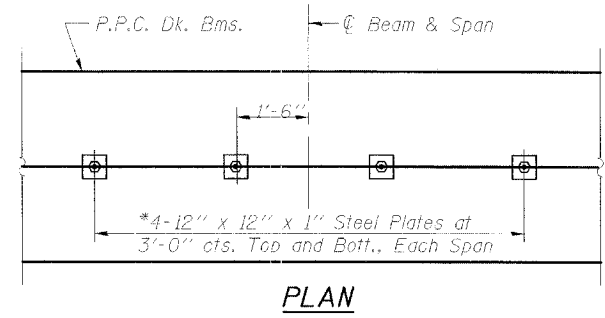


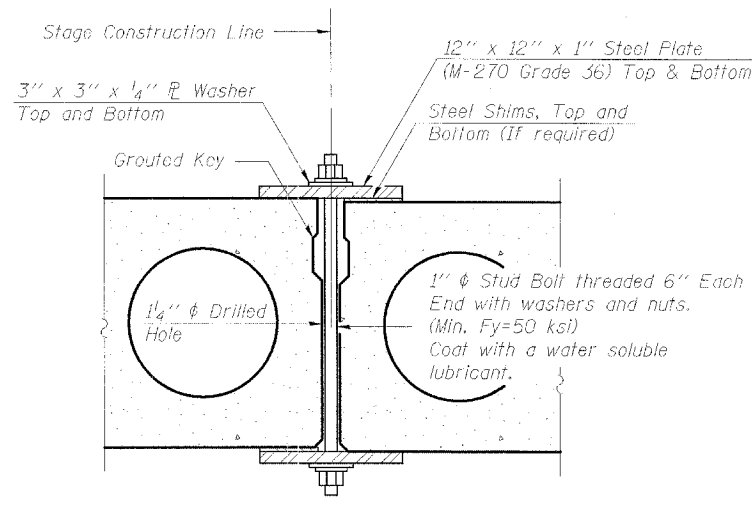
Contract #64A06

**BILL OF MATERIAL**

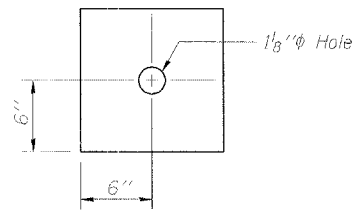
| ITEM                                     | Unit    | Total |
|--|---------|-------|
| Precast Prestressed Conc. Deck Bms. (17) | Sq. Ft. | 2,380 |



**PLAN**



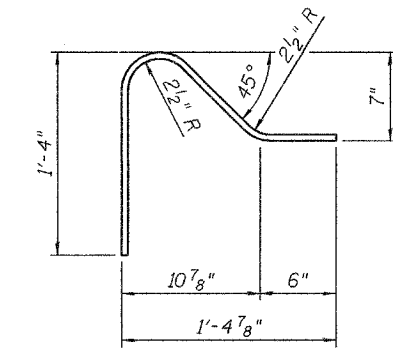
**SECTION**



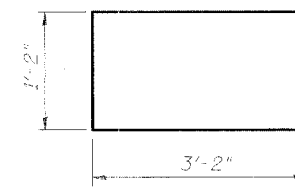
**CLAMPING PLATE**

**SHEAR KEY CLAMPING DETAILS AT STAGE CONST. JT.**

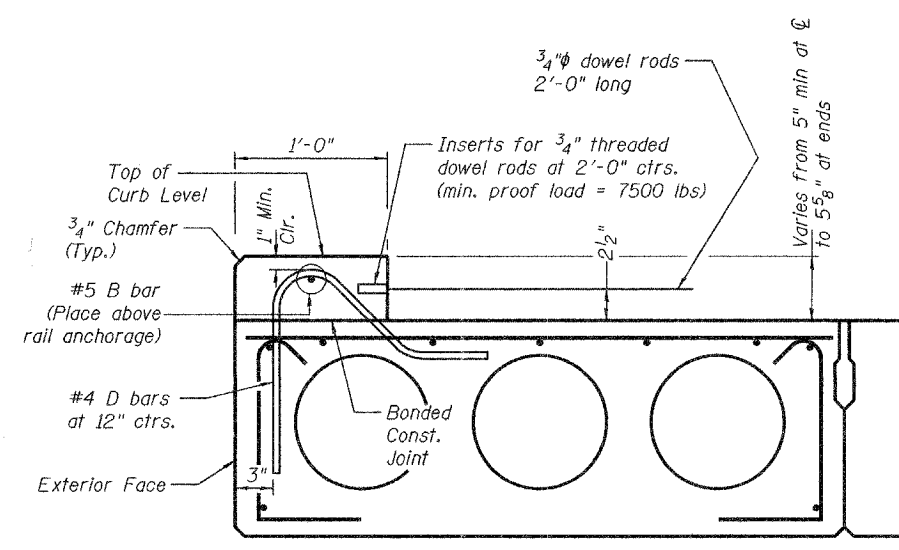
See Special Provisions for Stage Construction of Precast Prestressed Concrete Deck Beams.  
See Stage Construction Details for traffic lanes.



**#4 D BAR**



**BAR U**



**SECTION THRU EXTERIOR BEAMS**

See Section Thru Interior Beams for strand pattern, dimensions and bar call outs.

Bridge rail inserts shall be cast in precast beams and curbs. Curbs shall be cast by the precast prestressed concrete supplier after strands have been released and prior to shipping the beam. The concrete in the curb shall be the same as specified for the deck beams.  
The curb inserts and threaded dowel rods may be either epoxy coated or galvanized and the cost shall be included with precast prestressed concrete deck beams.

**SUPERSTRUCTURE DETAILS**

F.A.P. ROUTE 68 (IL 23)  
SECTION 29 BR-1  
DEKALB COUNTY  
STATION 876+47.59  
STRUCTURE NO. 019-0007



CHAMPAIGN, ILLINOIS  
CHICAGO, ILLINOIS  
EVANSVILLE, INDIANA  
INDIANAPOLIS, INDIANA  
KENDISHA, WISCONSIN  
SPRING GREEN, WISCONSIN

| REVISIONS |      | DRAWING NUMBER |
|-----------|------|----------------|
| NAME      | DATE |                |
|           |      | S-7            |
|           |      |                |
|           |      |                |
|           |      |                |
|           |      |                |

NOTE: DIMENSIONAL DATA IS NOT TO BE OBTAINED BY SCALING ANY PORTION OF THIS DRAWING.

|                     |                     |
|---------------------|---------------------|
| DESIGNED BY: S.L.D. | PROJECT NO. 11/2/31 |
| DRAWN BY: M.E.V.    | DATE: 8/05          |
| CHECKED BY: M.M.    |                     |
| APPROVED BY: M.M.   |                     |
| ACTIVITY: DETAILS   |                     |