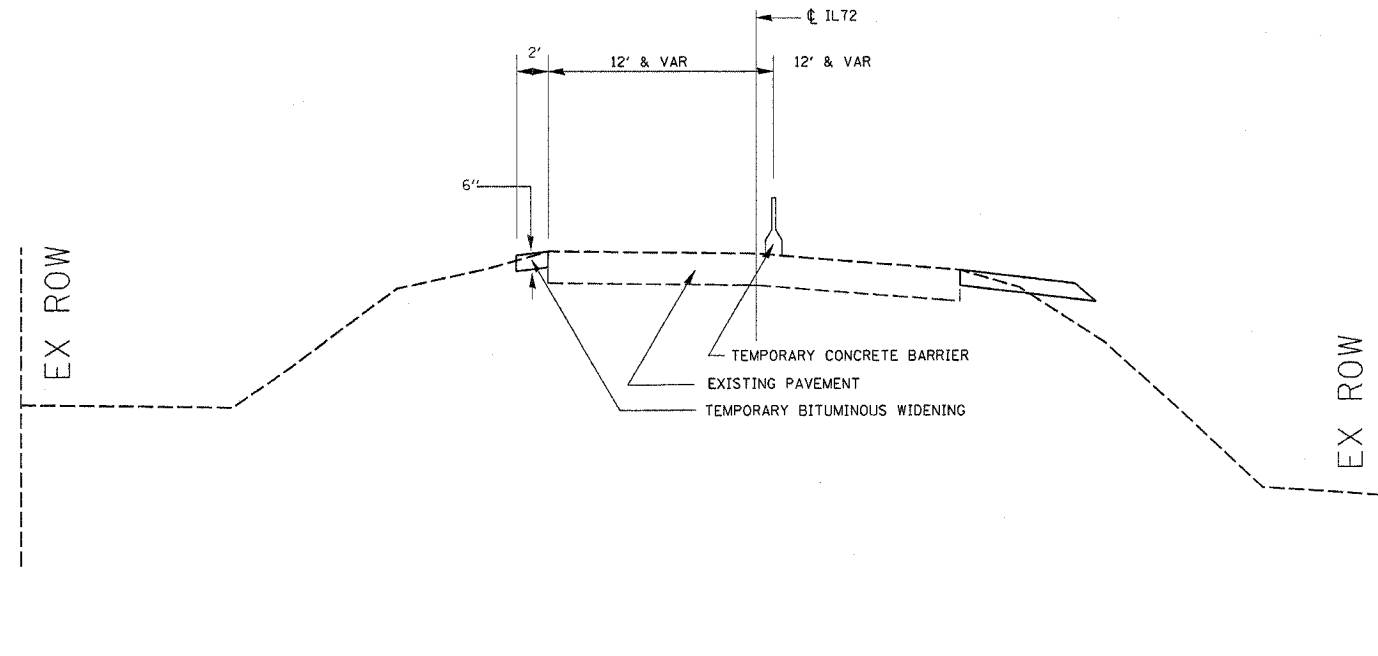


F.A.P. RTE.	SECTION	COUNTY	TOTAL SHEETS	SHEET NO.
553	119BR-3	OGLE	40	6
STA.		TO STA.		
FED. ROAD DIST. NO.		ILLINOIS	FED. AID PROJECT	

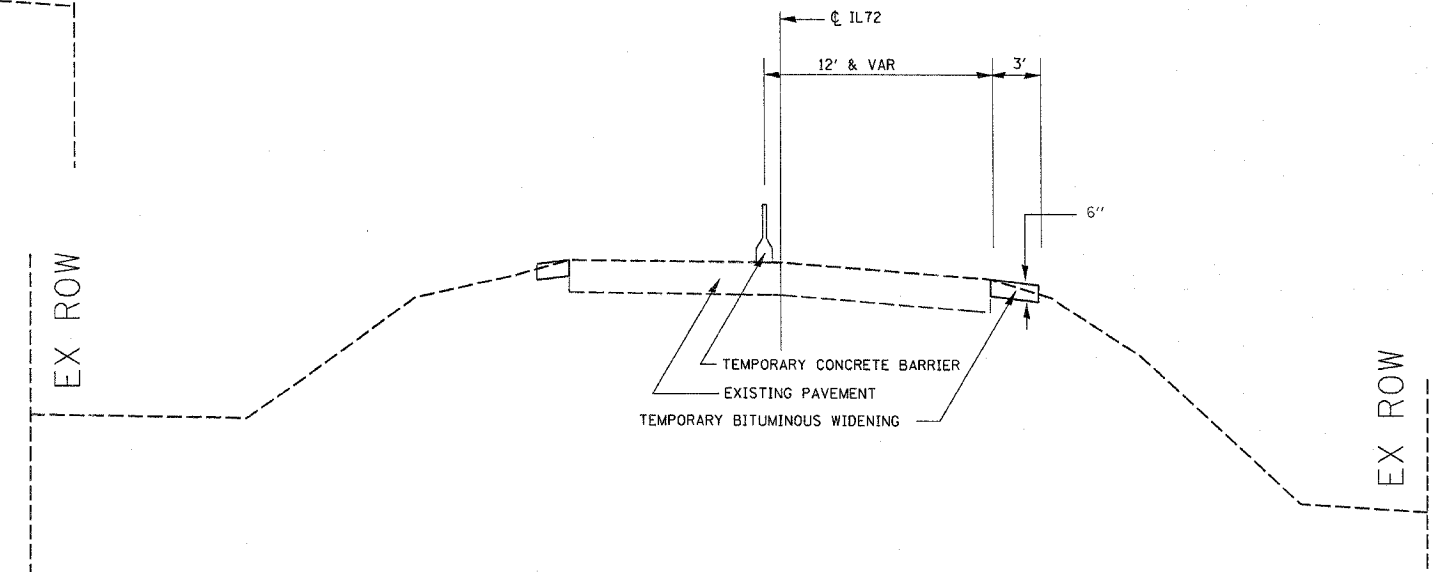
STAGE 1

1529+07 TO 1530+00 RT



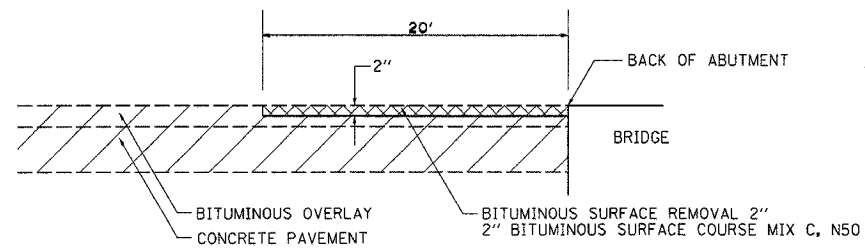
STAGE 2

1529+17 TO 1530+00 RT



BUTT JOINT

BITUMINOUS SURFACE REMOVAL - 2"
 STA 1527+35.58 TO STA 1527+55.58 & STA 1528+50.92 TO STA 1528+70.92



REVISIONS		ILLINOIS DEPARTMENT OF TRANSPORTATION
NAME	DATE	
		SCALE: VERT. HORIZ. DATE
DRAWN BY		CHECKED BY
DATE		

BUTT JOINT DETAIL

PLOT DATE = Fri, Sep 02, 11:25:00, 2005
 FILE NAME = c:\pwork\p250101\1527+35.58.dgn
 PLOT SCALE = 1/8" = 1' IN.
 USER NAME = mgj11