

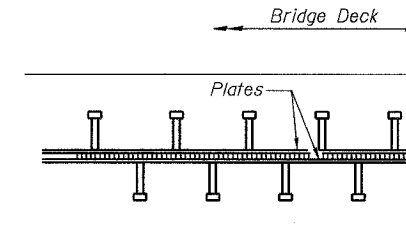
STATE OF ILLINOIS
DEPARTMENT OF TRANSPORTATION

ROUTE NO.	SECTION	COUNTY	STREET	SHEET	SHEET NO. 6
	*	Ogle	40	21	II SHEETS
F.A.P. NO. 553 (IL 72)		SECTION 119BR-3		STR. NO. 071-0042	

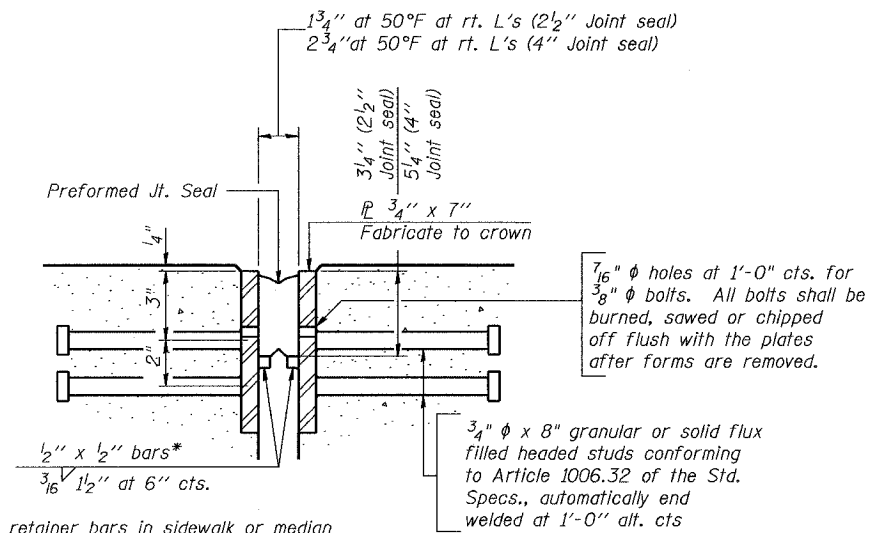
* Section 119BR-3 Contract #64A47

GENERAL NOTES

Furnish steel plates in segments of 20 feet maximum length. Maximum space between installed segments shall be $\frac{3}{16}$ ". Seal space with silicone sealant suitable for structural steel.



PLAN VIEW

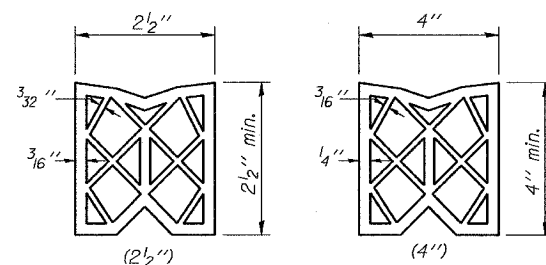


SECTION THRU EXPANSION JOINT
(2 1/2" and 4" joint seals)

Bridge Joint System (Expansion)		
Design Movement	Required Preformed Joint Seal Size	Required Strip Seal Rated movement
1"	2 1/2"	1"
1 5/8"	4"	2"

BILL OF MATERIAL

Item	Unit	Total
Bridge Joint System Expansion 1 5/8"	Foot	36



PREFORMED JOINT SEAL

DESIGNED	SB
CHECKED	RB
DRAWN	BH, BS
CHECKED	SB

BRIDGE JOINT SYSTEM - EXPANSION
(PREFORMED JOINT SEAL)
F.A.P. 553 (IL 72)
OVER STILLMAN CREEK
SECTION 119BR-3
OGLE COUNTY
STR. NO. 071-0042