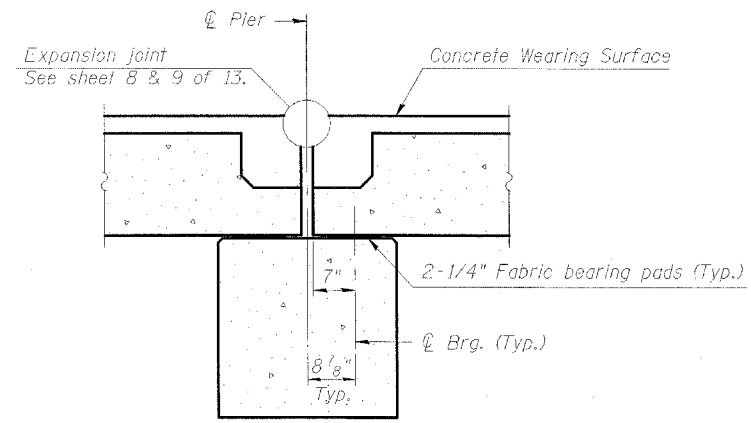
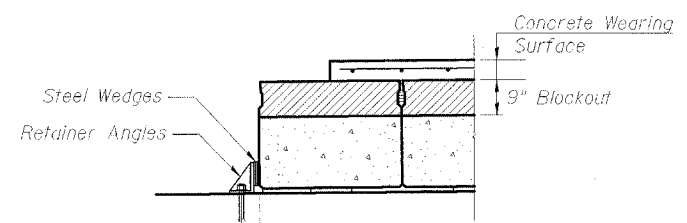


Contract #64A50



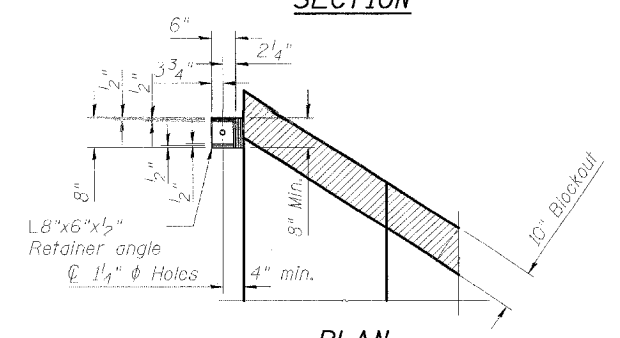
SECTION THRU PIER 1

Notes:
 Ends of beams shall be aligned at the expansion joints. Any linear variation in the beam lengths shall be placed at the fixed joint.
 After beams have been erected, holes shall be drilled into substructure and anchor dowels placed. Dowel holes shall be filled with non-shrink grout to top of beam and allowed to cure min. 24 hrs. prior to grouting the shear keys.
 Concrete wearing surface (including breakout) to be poured after grouting the shear keys.
 All horizontal dimensions are at right angles to beam ends. See sheet 6 of 13 for bearing pad details.
 Existing Dowel Rods shall be cut off and ground flush with the top of the existing concrete. Cost to be included in the cost of "Removal of Existing Superstructure".



SECTION

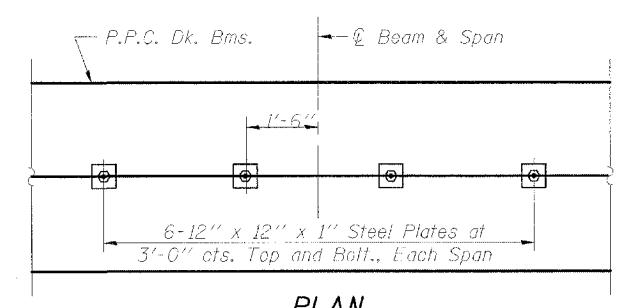
*1" ϕ x 12" Galv. anchor bolt with 2 1/2" x 2 1/2" x 5/16" L washer under nut.



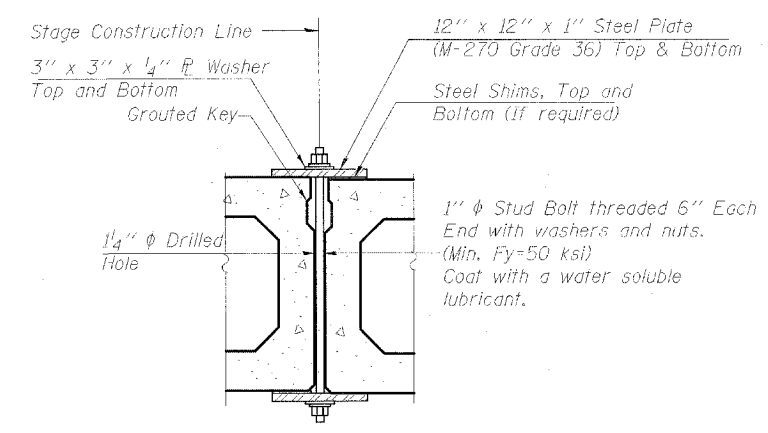
PLAN

SIDE RETAINER AT EXPANSION JOINT

* Anchor bolts may be cast into the masonry or approved threaded rod may be placed in drilled holes and grouted in place. Cost of retainer and accessories are included with Precast Prestressed Concrete Deck Beams.
 Note: After block-outs are poured and cured the retainer angles shall be removed. Anchor bolts may be left in place.



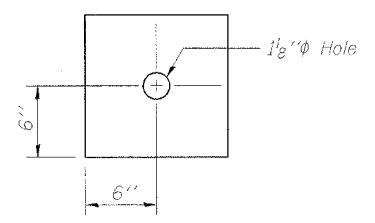
PLAN



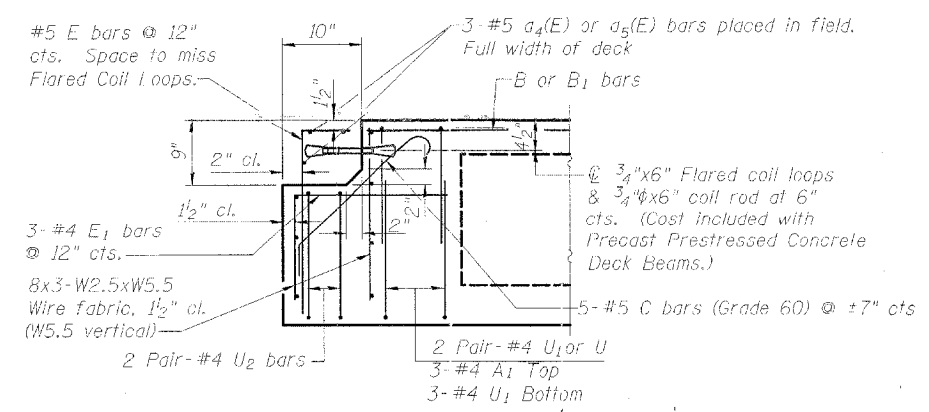
SECTION

SHEAR KEY CLAMPING DETAILS AT STAGE CONST. JT.

See Special Provisions for Stage Construction of Precast Prestressed Concrete Deck Beams.
 See Stage Construction Details for traffic lanes.

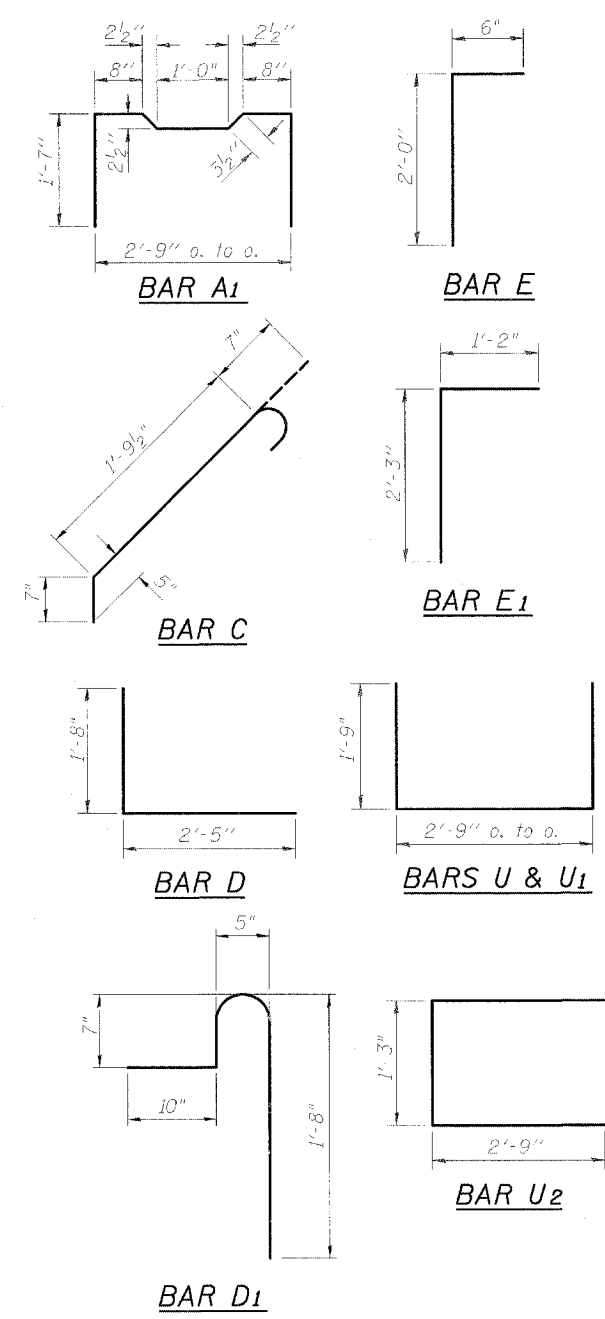


CLAMPING PLATE



END OF BEAM (PIER END)

(Dimensions are at Rt. L's)



BILL OF MATERIAL (ONE BEAM)

Bar	No.	Size	Length	Shape
A	72	#3	2'-8"	—
A1	41	#4	6'-1"	⌋
B	2	#5	45'-11"	—
B1	8	#5	9'-3"	—
B2	2	#4	45'-11"	—
B3	2	#5	45'-11"	—
C	5	#5	3'-0"	↙
D	8	#4	4'-1"	⌋
D1	46	#5	3'-4"	⌋
E	3	#5	2'-6"	⌋
E1	3	#4	3'-5"	⌋
U	34	#3	6'-3"	⌋
U1	7	#4	6'-3"	⌋
U2	4	#4	6'-9"	⌋

*Exterior beams only.

BILL OF MATERIAL

ITEM	UNIT	TOTAL
Precast Prestressed Concrete Deck Beams (27" Depth)	Sq. Ft.	6,648

SUPERSTRUCTURE DETAILS

F.A.P. ROUTE 324 (IL 23)
 SECTION 26 VBR-1
 DEKALB COUNTY
 STATION 1773+30.24
 STRUCTURE NO. 019-0005



CHAMPAIGN, ILLINOIS
 CHICAGO, ILLINOIS
 EVANSVILLE, INDIANA
 INDIANAPOLIS, INDIANA
 KENOSHA, WISCONSIN
 SPRING GREEN, WISCONSIN

REVISIONS		DRAWING NUMBER
NAME	DATE	
		S-7