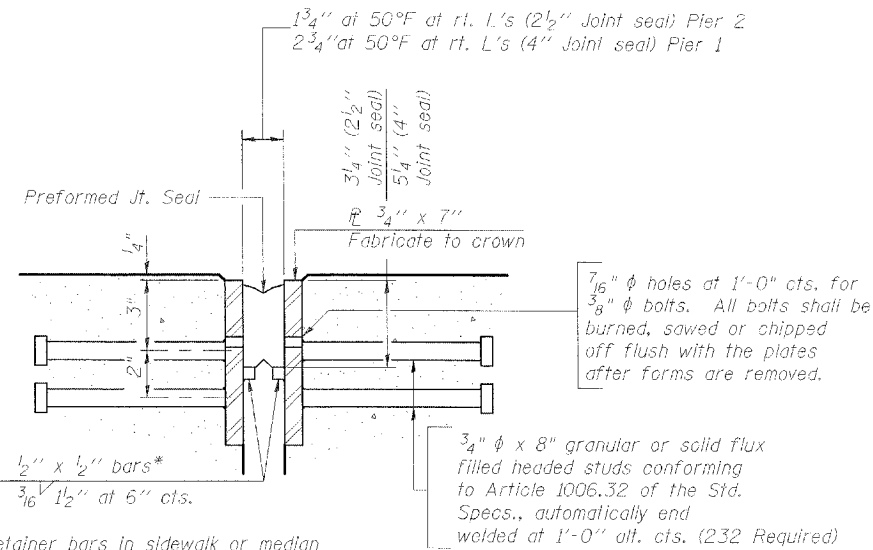


Contract #64A50

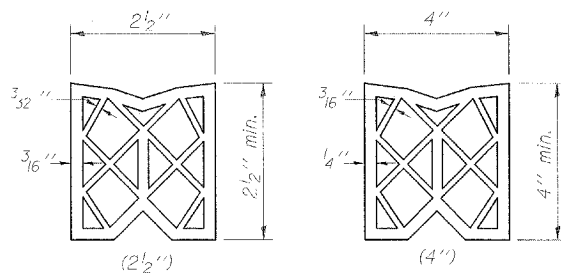
**GENERAL NOTES**

Furnish steel plates in segments of 20 feet maximum length. Maximum space between installed segments shall be 3/16". Seal space with silicone sealant suitable for structural steel.

Bridge Joint System (Expansion)		
Design Movement	Required Preformed Joint Seal Size	Required Strip Seal Rated movement
1"	2 1/2"	1"
1 5/8"	4"	2"



**SECTION THRU EXPANSION JOINT**  
 (2 1/2" and 4" joint seals)



**PREFORMED JOINT SEAL**

**BILL OF MATERIAL**

Item	Unit	Total
Bridge Joint System (Expansion), 1"	foot	58
Bridge Joint System (Expansion), 1 5/8"	foot	58

**BRIDGE JOINT SYSTEM (EXPANSION)**  
**(PREFORMED JOINT SEAL)**

F.A.P. ROUTE 324 (IL 23)  
 SECTION 26 VBR-1  
 DEKALB COUNTY  
 STATION 1773+30.24  
 STRUCTURE NO. 019-0005



CHAMPAIGN, ILLINOIS  
 CHICAGO, ILLINOIS  
 EVANSVILLE, INDIANA  
 INDIANAPOLIS, INDIANA  
 KENOSHA, WISCONSIN  
 SPRING GREEN, WISCONSIN

REVISIONS		DRAWING NUMBER
NAME	DATE	
		S-8

DESIGNED BY: S.L.D.	PRIORITY NO. 102301
DRAWN BY: MEW	DATE: 5/05
CHECKED BY: S.C.J.	
APPROVED BY: M.H.	
ACTIVITY: DETAILS	