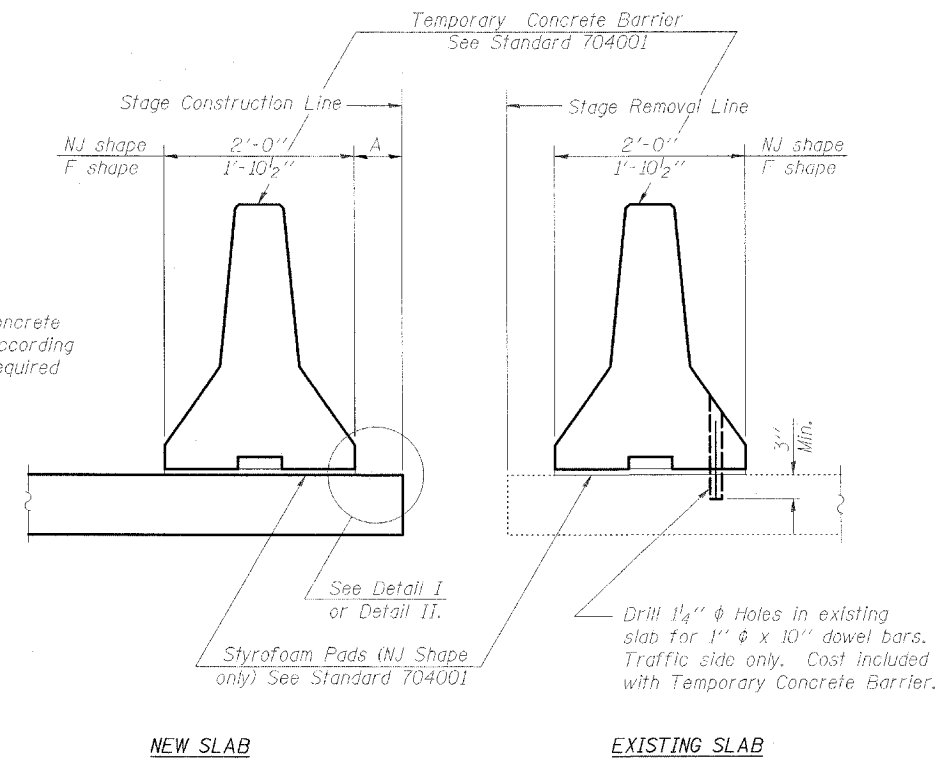


ROUTE NO.	SECTION	COUNTY	TOTAL SHEETS	SHEET NO.	SHEET NO. 12
FAP 324	26-VBR	DEKALB	39	21	13 SHEETS
FED. HIGH. DIST. NO. 7	ILLINOIS	FED. AID PROJECT-			

Contract #64A50

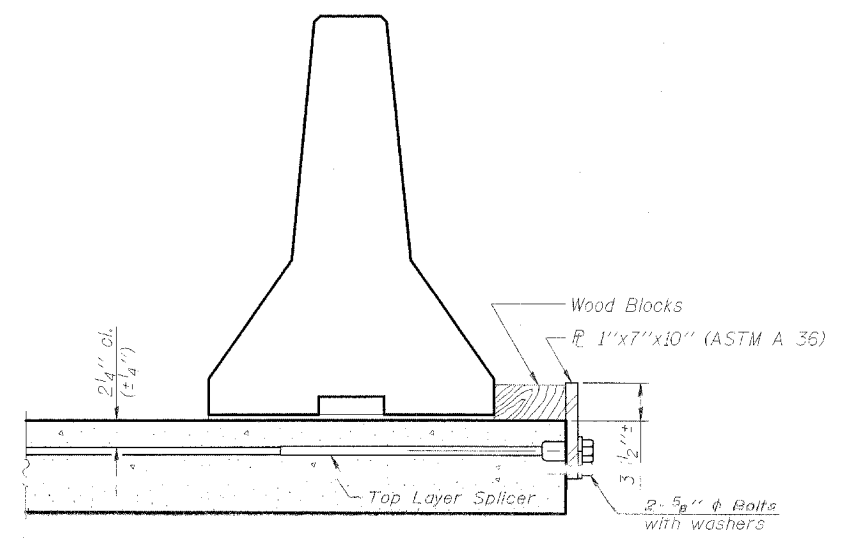


When "A" is 3'-6" or less, the temporary concrete barrier shall be anchored to the new slab according to Detail I or Detail II. No anchorage is required when "A" is greater than 3'-6".

**NOTES**

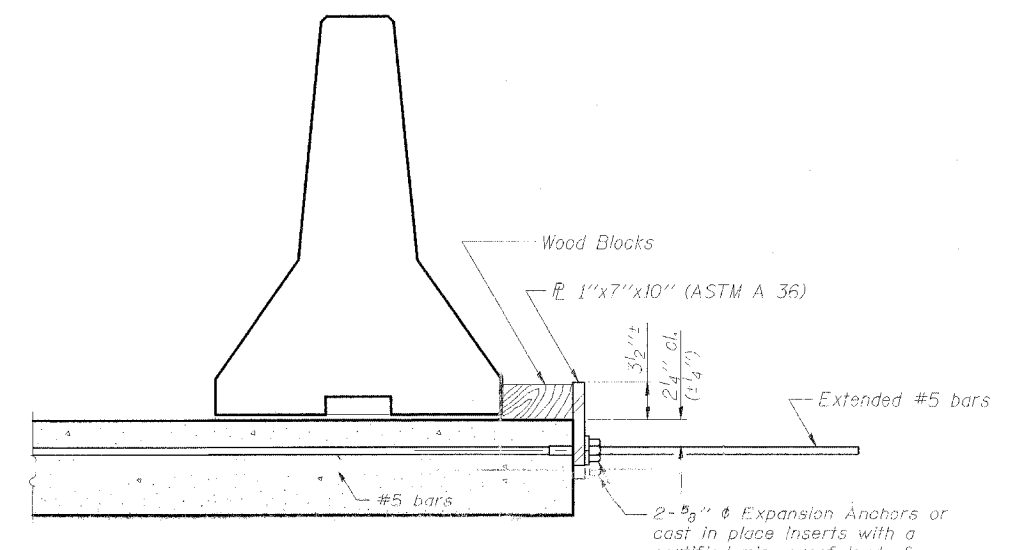
- Detail I - With Bar Splicer or Couplers: Connect one (1) 1"x7"x10" steel  $\bar{L}$  to the top layer of couplers with 2-5/8"  $\phi$  bolts screwed to coupler at approximate  $\bar{C}$  of each barrier panel.
  - Detail II - With Extended Reinforcement Bars: Connect one (1) 1"x7"x10" steel  $\bar{L}$  to the concrete slab with 2-5/8"  $\phi$  Expansion Anchors or cast in place Inserts spaced between the top layer of reinforcement at approximate  $\bar{C}$  of each barrier panel.
- Cost of anchorage is included with Temporary Concrete Barrier.

**SECTIONS THRU SLAB**



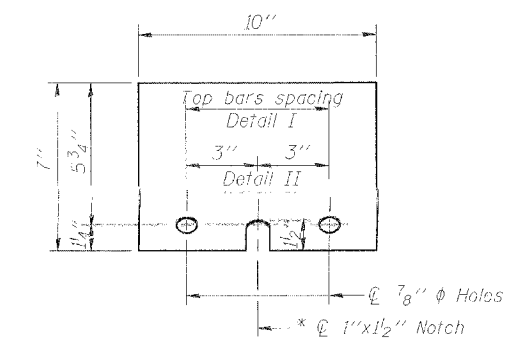
**DETAIL I**

The 1"x7"x10" Plate shall not be removed until Stage II Construction forms and reinforcement bars are in place.



**DETAIL II**

The 1"x7"x10" Plate shall not be removed until Stage II Construction forms and all reinforcement bars are in place and the concrete is ready to be placed.



**1" x 7" x 10"**  
\* Required only with Detail II

**TEMPORARY CONCRETE BARRIER FOR STAGE CONSTRUCTION**

F.A.P. ROUTE 324 (IL 23)  
SECTION 26 VBR-1  
DEKALB COUNTY  
STATION 1773+30.24  
STRUCTURE NO. 019-0005

CHAMPAIGN, ILLINOIS  
CHICAGO, ILLINOIS  
EVANSVILLE, INDIANA  
INDIANAPOLIS, INDIANA  
KENOSHA, WISCONSIN  
SPRING GREEN, WISCONSIN

**Clark Dietz**

REVISIONS		DRAWING NUMBER
NAME	DATE	
		S-12