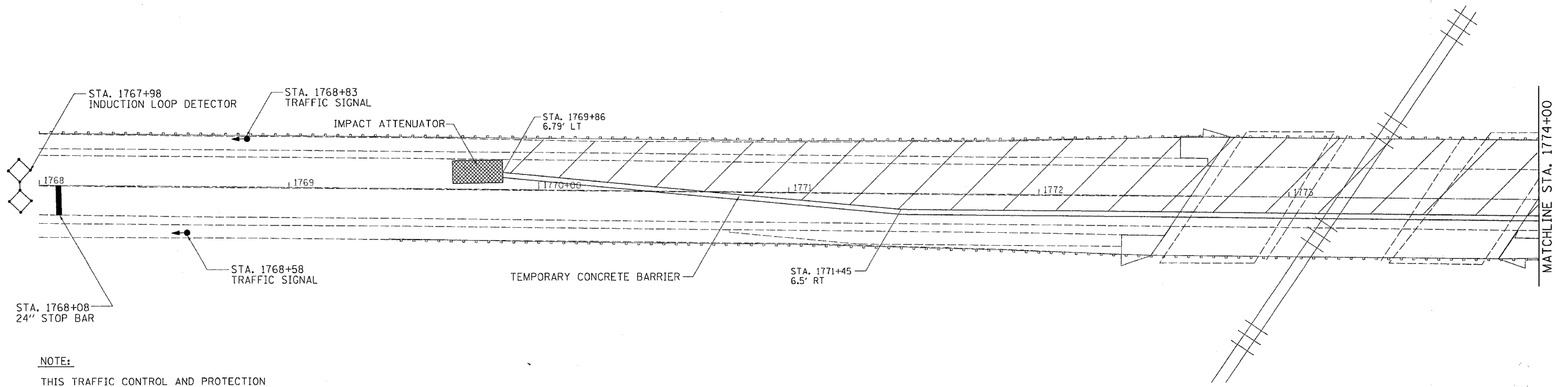


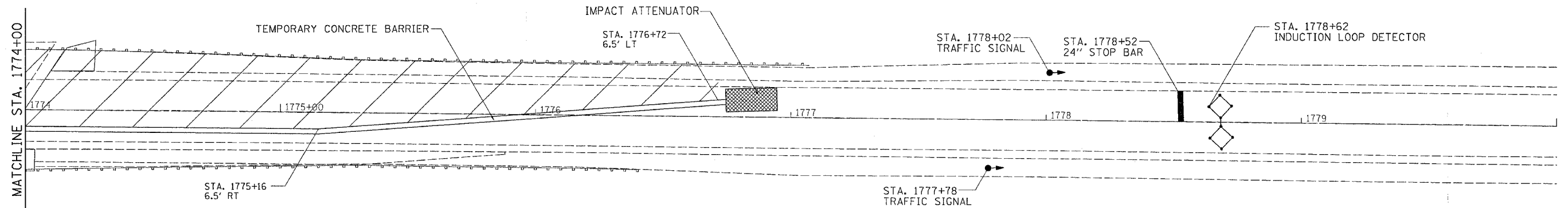
F.A.P. RTE.	SECTION	COUNTY	TOTAL SHEETS	SHEET NO.
324	26VBR-1	DEKALB	39	25
STA.		TO STA.		
FED. ROAD DIST. NO.	ILLINOIS	FED. AID PROJECT		

# STAGE 2



**NOTE:**

THIS TRAFFIC CONTROL AND PROTECTION SHALL BE SET UP AND PAID FOR ACCORDING TO STANDARD 701321



**NOTE:**

THIS TRAFFIC CONTROL AND PROTECTION SHALL BE SET UP AND PAID FOR ACCORDING TO STANDARD 701321

PLOT DATE = Tue Aug 30 14:03:36 2005  
FILE NAME = c:\projects\266465\480485.dgn  
PLOT SCALE = 26.6900 / IN.  
USER NAME = mg11j