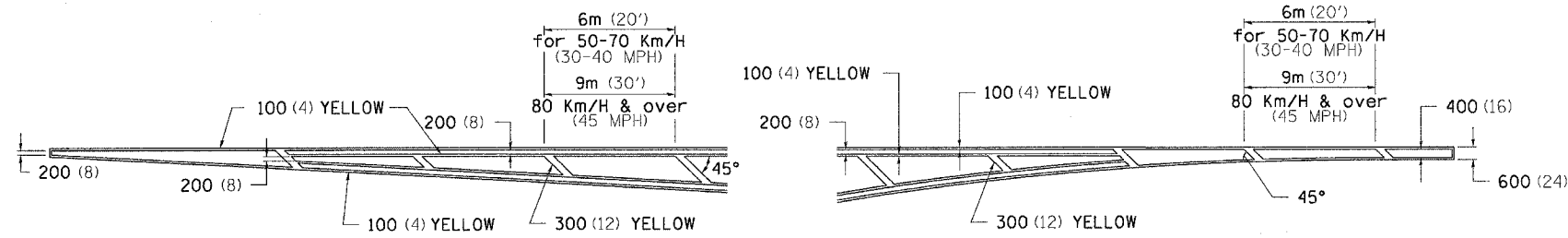


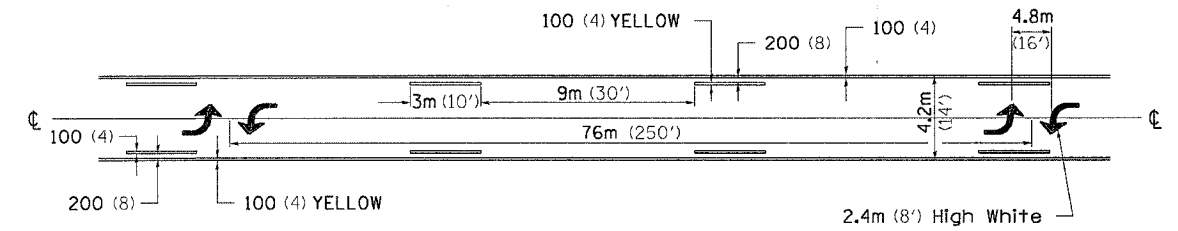
F.A.P. RTE.	SECTION	COUNTY	TOTAL SHEETS	SHEET NO.
324	26VBR-1	DEKALB	39	28
STA.		TO STA.		
FED. ROAD DIST. NO.	ILLINOIS	FED. AID PROJECT		

# TYPICAL PAVEMENT MARKINGS

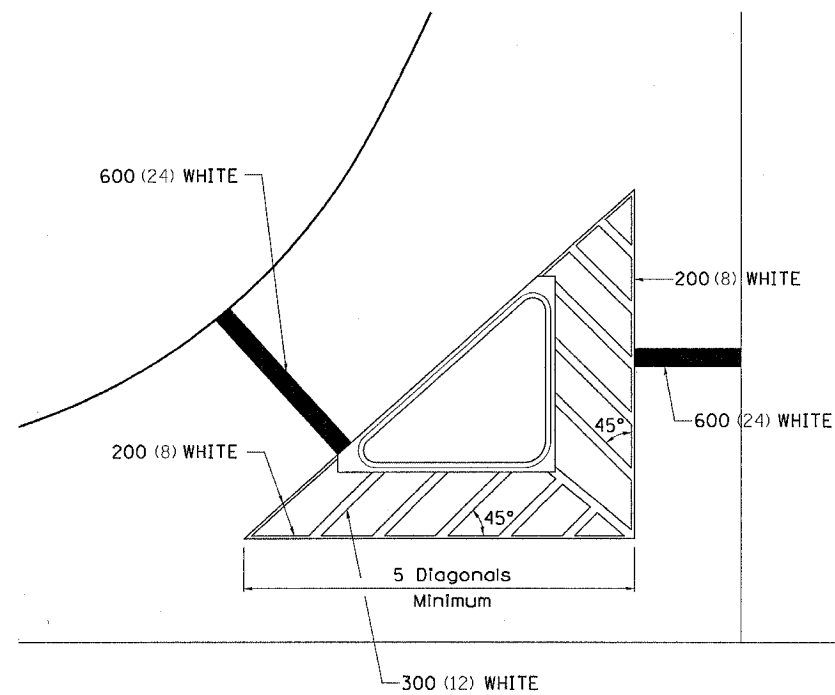
TYPICAL PAVEMENT MARKING FOR FLUSH MEDIAN



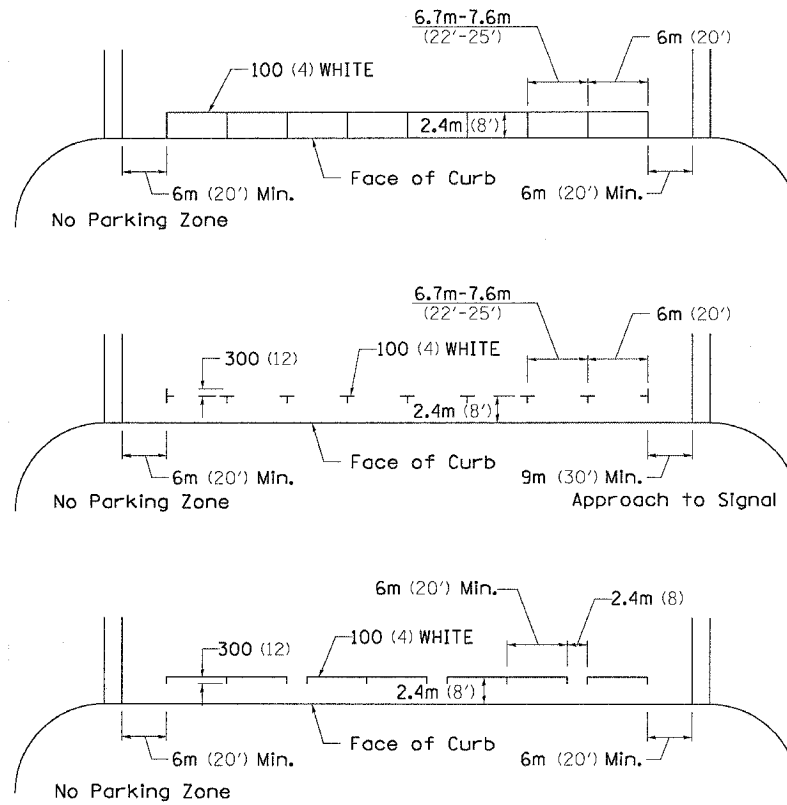
MEDIAN PAVEMENT MARKING



TYPICAL ISLAND OFFSET SHOULDER WIDTH



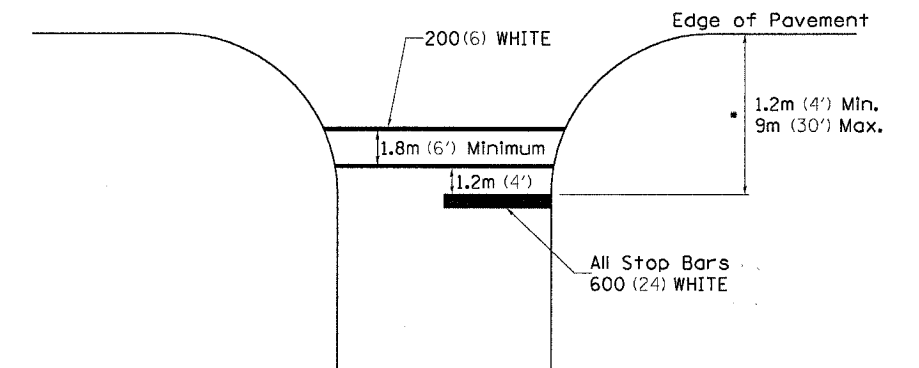
TYPICAL PARKING SPACING



•• ALL DIMENSIONS ARE IN MILLIMETERS (INCHES) UNLESS OTHERWISE NOTED.

STANDARD CROSSWALK MARKING

See Schedules for Locations



• Distance to the nearest edge of the intersecting roadway in the absence of a marked crosswalk.

PLOT DATE = Tue Aug 30 14:22:48 2005  
 FILE NAME = c:\p\o\metasp\200405\20040528\20040528.dgn  
 PLOT SCALE = 50.0000 / 1 IN.  
 REFERENCE = REF#