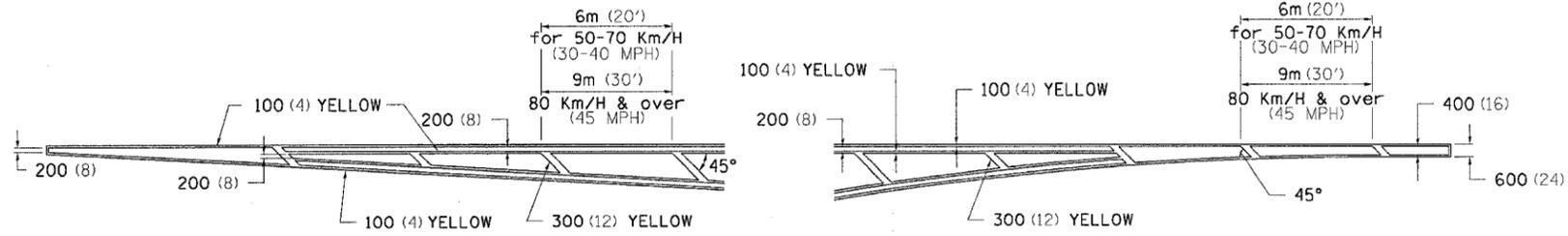


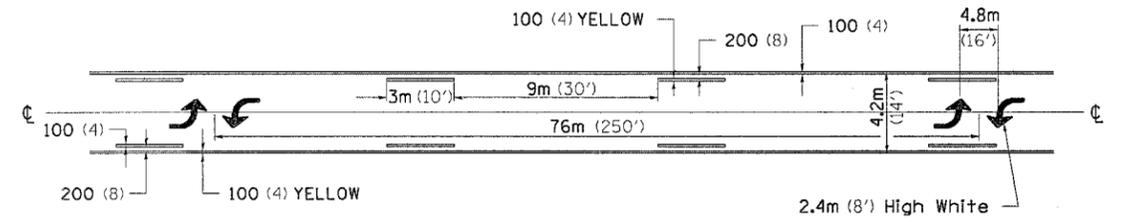
F.A.P. RTE.	SECTION	COUNTY	TOTAL SHEETS	SHEET NO.
525	STS-2	WINNEBAGO	10	9
STA.		TO STA.		
FED. ROAD DIST. NO.	ILLINOIS	FED. AID PROJECT		

TYPICAL PAVEMENT MARKINGS

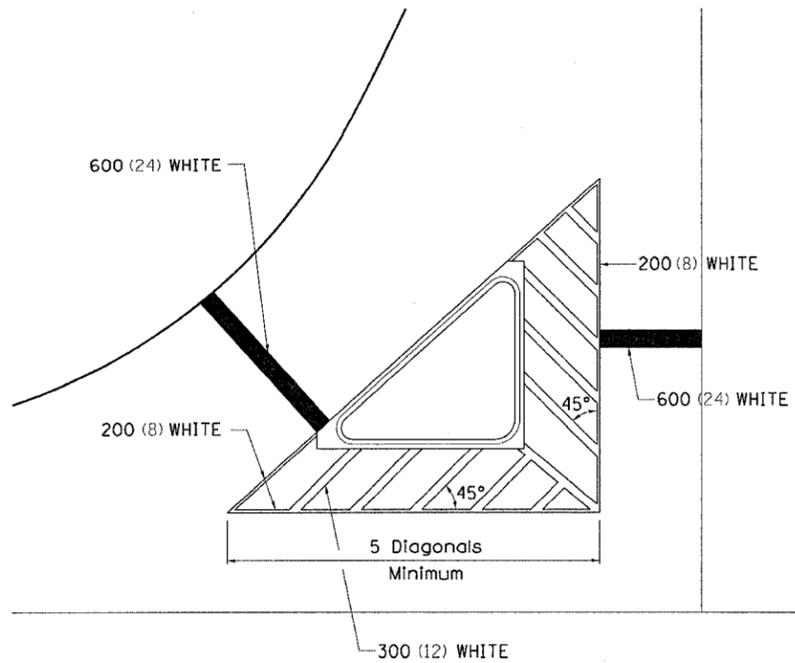
TYPICAL PAVEMENT MARKING FOR FLUSH MEDIAN



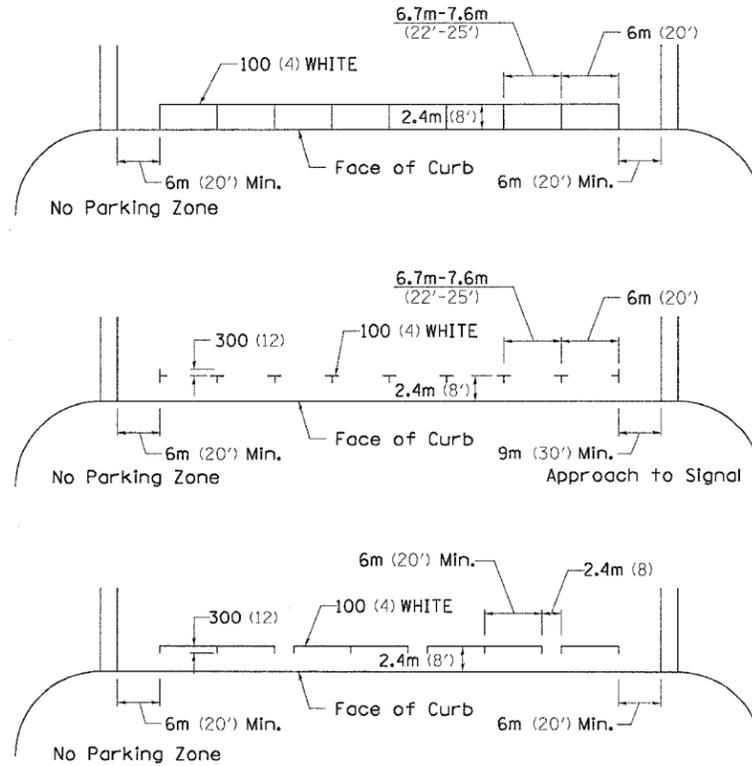
MEDIAN PAVEMENT MARKING



TYPICAL ISLAND OFFSET SHOULDER WIDTH



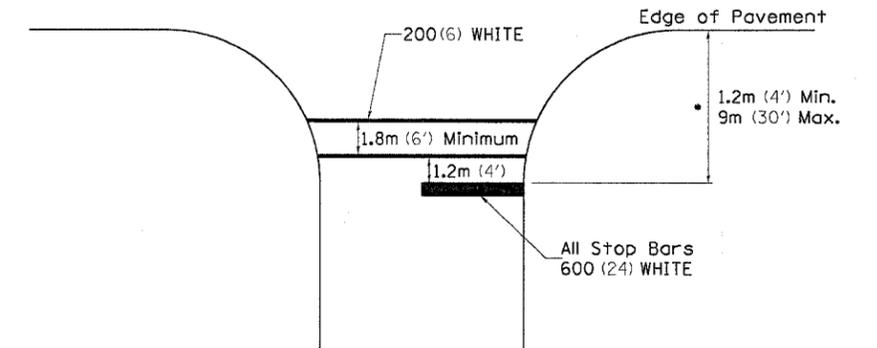
TYPICAL PARKING SPACING



•• ALL DIMENSIONS ARE IN MILLIMETERS (INCHES) UNLESS OTHERWISE NOTED.

STANDARD CROSSWALK MARKING

See Schedules for Locations



• Distance to the nearest edge of the intersecting roadway in the absence of a marked crosswalk.

PLDT DATE: Thu Sep 15 14:08:13 2005
FILE NAME: C:\Users\jessy\Documents\20050915\20050915.dgn
SCALE: 1/16" = 1'-0"
REFERENCE: SHEET 1 OF 10