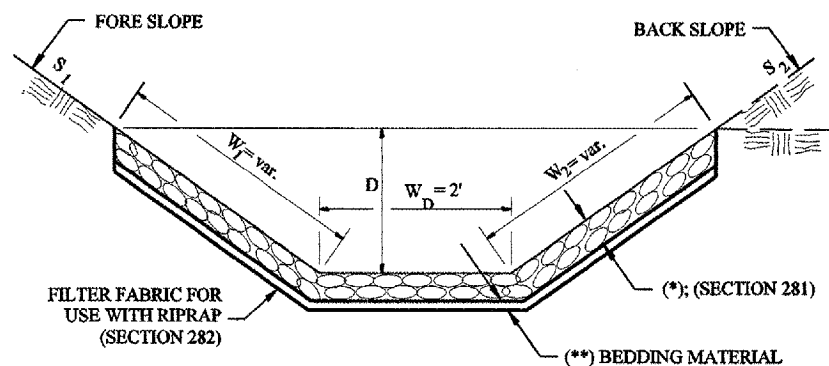


F.A.P. RTE.	SECTION	COUNTY	TOTAL SHEETS	SHEET NO.
687	*	McDonough / Fulton	58	50
STA.		TO STA.		
FED. ROAD DIST. NO.	ILLINOIS	FED. AID PROJECT		

* D4 CULV EXT/ REPAIR 2006

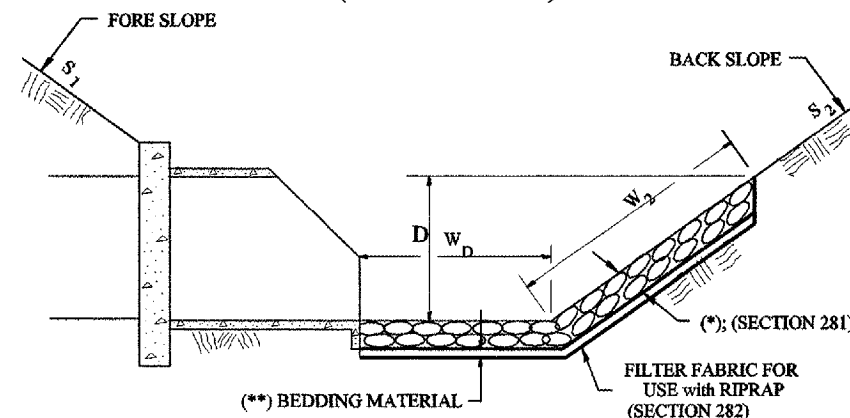
**CASE 1
(DITCH)**



Stone Riprap, Class B-3				
LOCATION	WIDTH (1)	LENGTH	RIPRAP	FABRIC
STA TO STA	lin ft	lin ft	Sq Yd	Sq Yd
Lt Sta. 158+68.70 to 159+87.85	variable	135.44	126	
Lt Sta. 160+05 to 161+00	variable	125.50	119	
Lt Sta. 352+00 to 352+60	variable	128.75	143	
Rt Sta. 350+90 to 352+65	variable	195.50	267	
Lt Sta. 401+75 to 403+28	variable	184.84	184	
Lt Sta. 403+28 to 403+88	variable	79	87	
Rt Sta. 401+25 to 403+61	10	276.83	308	
Rt Sta. 403+61 to 404+37.5	variable	114.60	94	
TOTAL			1,328	

(1) WIDTH = $W_1 + W_2 + W_D$

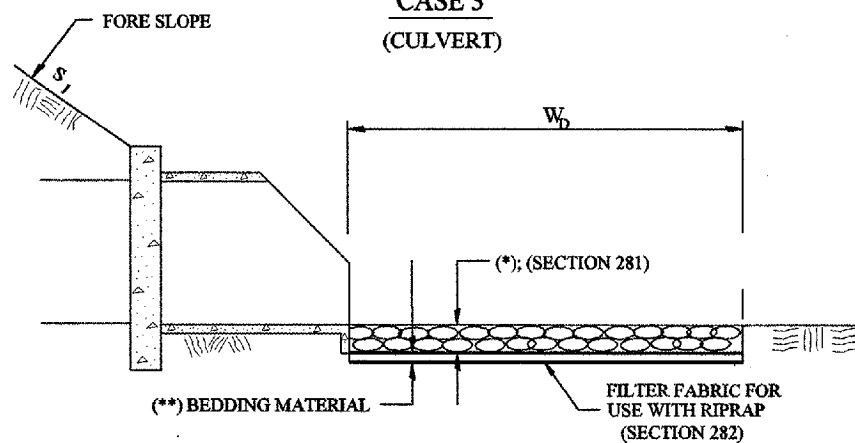
**CASE 2
(CULVERT & SLOPE)**



Stone Riprap, Class A-4				
LOCATION	WIDTH (1)	LENGTH	RIPRAP	FABRIC
STA TO STA	lin ft	lin ft	Sq Yd	Sq Yd
Lt Sta. 403+36	31'-8"	12'	42	42
TOTAL			42	42

(1) WIDTH = $W_2 + W_D$

**CASE 3
(CULVERT)**



Stone Riprap, Class A-4				
LOCATION	WIDTH (1)	LENGTH	RIPRAP	FABRIC
STA TO STA	lin ft	lin ft	Sq Yd	Sq Yd
Lt Sta. 160+00	12'-3"	10'	14	14
Lt Sta. 352+70	9'-6"	10'	11	11
Rt Sta. 352+70	17'-6"	10'	19	19
Rt Sta. 403+36	10'	10'-8"	12	12
TOTAL			56	56

(1) WIDTH = W_D

All slope ratios are expressed as units of vertical displacement to units of horizontal displacement (V:H).

All dimensions are in millimeters (inches) unless otherwise noted.

ILLINOIS DEPARTMENT OF TRANSPORTATION
SPECIAL DETAIL SHEET

RIPRAP DITCH FOR EROSION PROTECTION

CADD DETAIL 281001-D4
SCALE: NOT DRAWN TO SCALE

DRAWN BY CADD
CHECKED BY

DATE	REVISIONS	BY
1-1-97	RENUM. A-12.02, NEW REVISION BOX	T.P.
12-1-97	CORRECT FILTER FABRIC LEADER ARROW	J.A.

- Designer NOTES:
1. Designer to modify this Special Detail Sheet, as needed for inclusion in plans.
 2. (*) Designer to specify pay item including material, quality, and gradation.
 3. (**) Designer to specify thickness of bedding material.
 4. Include District Special Provision if needed.

\$\$\$DATESS