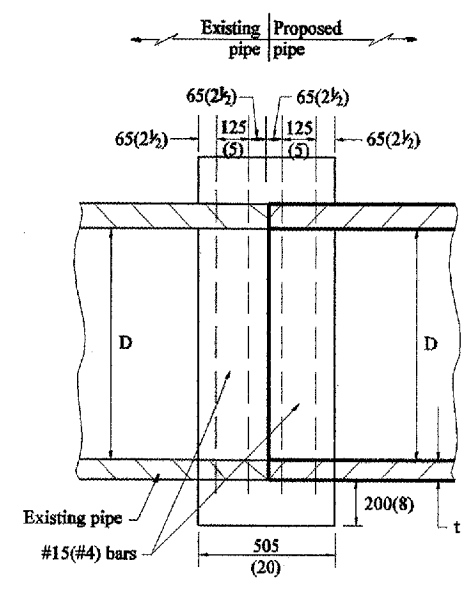
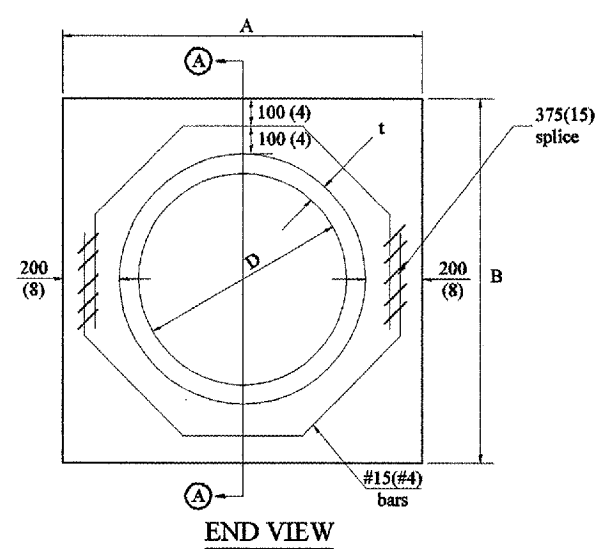


F.A.P. RTE.	SECTION	COUNTY	TOTAL SHEETS	SHEET NO.
687	*	TAZEWELL	58	53
STA.		TO STA.		
FED. ROAD DIST. NO.	ILLINOIS	FED. AID PROJECT		

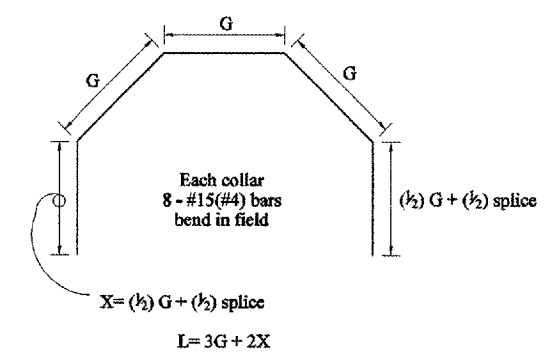
*D4 CULVERT EXT / REPAIR 2006



SECTION A - A



END VIEW



Each Collar								
Reinforcement Bars								
D m (in)	t m (in)	A m (ft)	B m (ft)	CL. SI CONC. m ³ (cu. yd)	G m (ft)	X m (in)	L m (ft)	Weight kg (lbs)
300 (12)	51 (2.00)	0.814 (2.67)	0.814 (2.67)	0.270 (0.4)	253 (9 ¹⁵ / ₁₆)	317 (12 ⁷ / ₁₆)	1.393 (4.57)	11 (24)
375 (15)	57 (2.25)	0.902 (2.96)	0.902 (2.96)	0.315(0.4)	290 (11 ³ / ₈)	335 (13 ³ / ₁₆)	1.541 (5.05)	12 (27)
450 (18)	64 (2.50)	0.991 (3.25)	0.991 (3.25)	0.362 (0.5)	327 (12 ¹³ / ₁₆)	354 (13 ⁷ / ₈)	1.689 (5.54)	14 (30)
525 (21)	70 (2.75)	1.079 (3.54)	1.079 (3.54)	0.411 (0.5)	364 (14 ¹ / ₄)	372 (14 ⁵ / ₈)	1.836 (6.02)	15 (32)
600 (24)	76 (3.00)	1.167 (3.83)	1.167 (3.84)	0.460 (0.6)	401 (15 ¹ / ₁₆)	391 (15 ⁵ / ₁₆)	1.984 (6.51)	16 (35)
675 (27)	83 (3.25)	1.259 (4.13)	1.259 (4.13)	0.516 (0.7)	438 (17 ¹ / ₄)	409 (16 ¹ / ₁₆)	2.131 (6.99)	17 (37)
750 (30)	89 (3.50)	1.347 (4.42)	1.347 (4.42)	0.570 (0.7)	475 (18 ¹ / ₁₆)	428 (16 ³ / ₄)	2.279 (7.48)	18 (40)
825 (33)	95 (3.75)	1.436 (4.71)	1.436 (4.71)	0.624 (0.8)	512 (20 ¹ / ₈)	446 (17 ¹ / ₂)	2.426 (7.96)	19 (43)
900 (36)	102 (4.00)	1.524 (5.00)	1.524 (5.00)	0.682 (0.9)	549 (21 ⁹ / ₁₆)	465 (18 ³ / ₁₆)	2.574 (8.44)	20 (45)
1050 (42)	114 (4.50)	1.701 (5.58)	1.701 (5.58)	0.800 (1.0)	622 (24 ⁷ / ₁₆)	501 (19 ³ / ₄)	2.869 (9.41)	23 (50)
1200 (48)	127 (5.00)	1.881 (6.17)	1.881 (6.17)	0.930 (1.2)	696 (27 ⁵ / ₁₆)	538 (21 ³ / ₁₆)	3.164 (9.41)	25 (55)

GENERAL NOTES

1. THE COLLAR SHALL BE CONSTRUCTED ENTIRELY OF CLASS SI CONCRETE IN ACCORDANCE WITH THE APPLICABLE PORTIONS OF SECTION 503 OF THE STANDARD SPECIFICATIONS. REINFORCEMENT BARS SHALL CONFORM TO SECTION 508.

All dimensions are in millimeters (inches) unless otherwise noted.

QUANTITIES	
CALC. BY:	R.J.D. 2-2-98
CHECKED BY:	R.D.H. 2-6-98
DATE:	DATE:

QUANTITY CALCULATIONS ARE ON FILE AT THE DISTRICT 4 OFFICE; BUREAU OF PROJECT IMPLEMENTATION; DOCUMENTATION SECTION

DATE	REVISIONS	BY
1-1-97	RENUM. B-3.03, NEW REVISION BOX ADDED QUANTITY CALCULATION BOX, REVISED TITLE BOX	T.P.
4-1-97	CORRECT BAR	J.A.
2-10-98	REVISE QUANTITIES	J.A.
9-1-00	CORRECT WEIGHT	J.A.

ILLINOIS DEPARTMENT OF TRANSPORTATION
DISTRICT CADD STANDARD

**PIPE CULVERT
EXTENSION COLLAR
(WITHOUT END SECTION)**
CADD STANDARD 542016-D4
SCALE: NOT DRAWN TO SCALE
DRAWN BY: CADD
CHECKED BY:

SSDATESS

DCN-ONLY