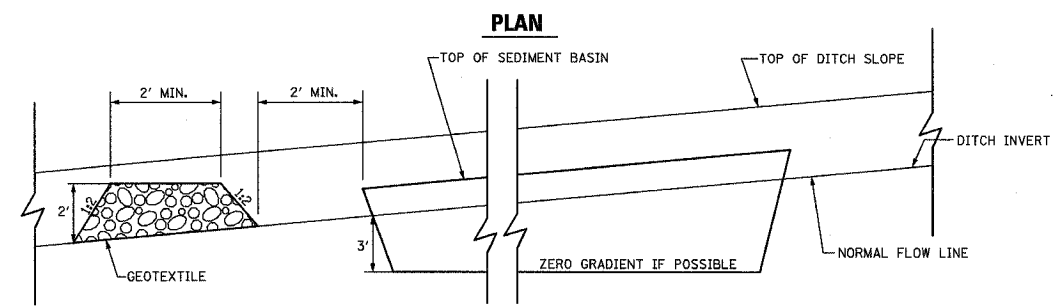
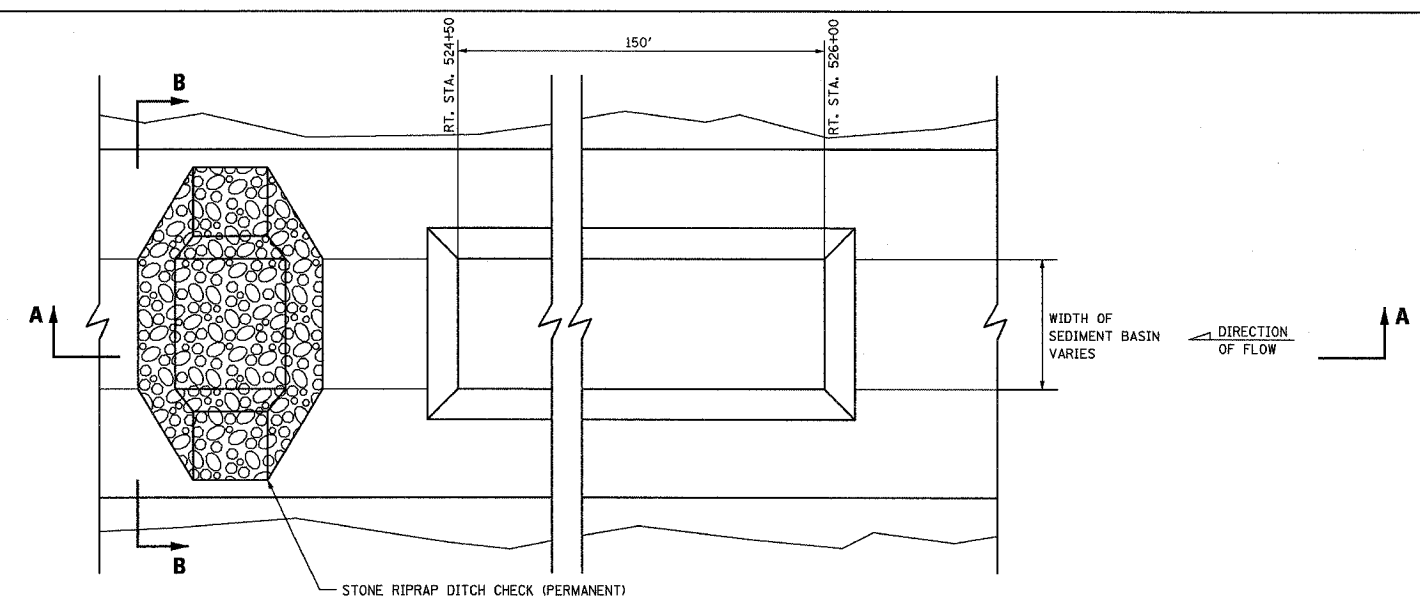
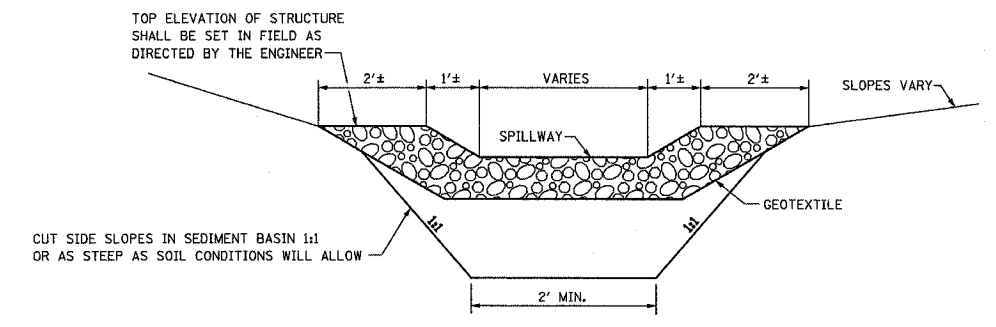


68452

F.A.P. RTE.	SECTION	COUNTY	TOTAL SHEETS	SHEET NO.
315	(55-2)A	McDONOUGH	55	25
STA.		TO STA.		
FED. ROAD DIST. NO. 4		ILLINOIS FED. AID PROJECT		



SECTION A-A



SECTION B-B

- NOTES:
1. THE STONE DITCH CHECK SHALL BE INSPECTED AFTER EACH RAIN, AND THE STONE SHALL BE REPLACED WHEN THE STRUCTURE CEASES TO FUNCTION AS INTENDED DUE TO WASHOUT, CONSTRUCTION TRAFFIC DAMAGE, SILT ACCUMULATION AMONG THE STONE, ETC. HOWEVER, IN ANY CASE, THE SILT SHALL BE CLEANED OUT WHEN BASIN IS 50% FULL.
 2. GEOTEXTILE TO MEET REQUIREMENTS OF ART. 1080.03
 3. GRADATION RR3 OR RR4 SHALL BE USED FOR THE PERMANENT DITCH CHECK.
 4. SEDIMENT BASIN TO REMAIN IN PLACE AT END OF THIS CONTRACT.

SEDIMENT BASIN
RT. STA. 524 + 50 TO STA. 526 + 00
 NOT TO SCALE

REVISIONS	
NAME	DATE

ILLINOIS DEPARTMENT OF TRANSPORTATION
SEDIMENT BASIN DETAILS
RT. STA. 524 + 50 TO STA. 526 + 00
IL. ROUTE 336

DATE: 8/22/90/504
 DRAWN BY: MGM
 CHECKED BY: DMC

11-SEDIMENT BASIN.dgn 02/28/2006 11:46:29 AM