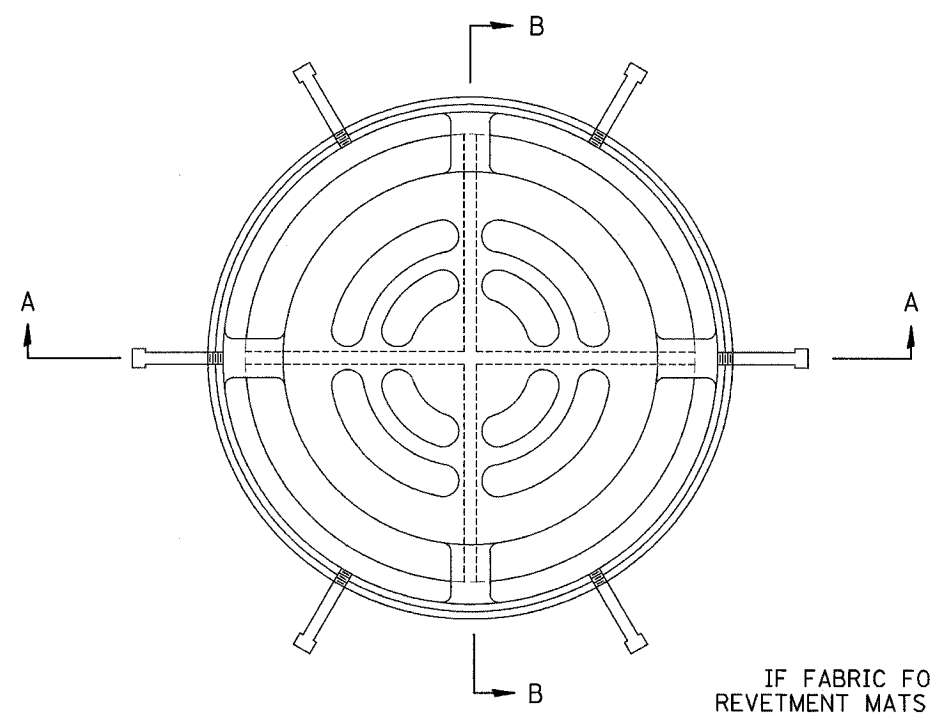
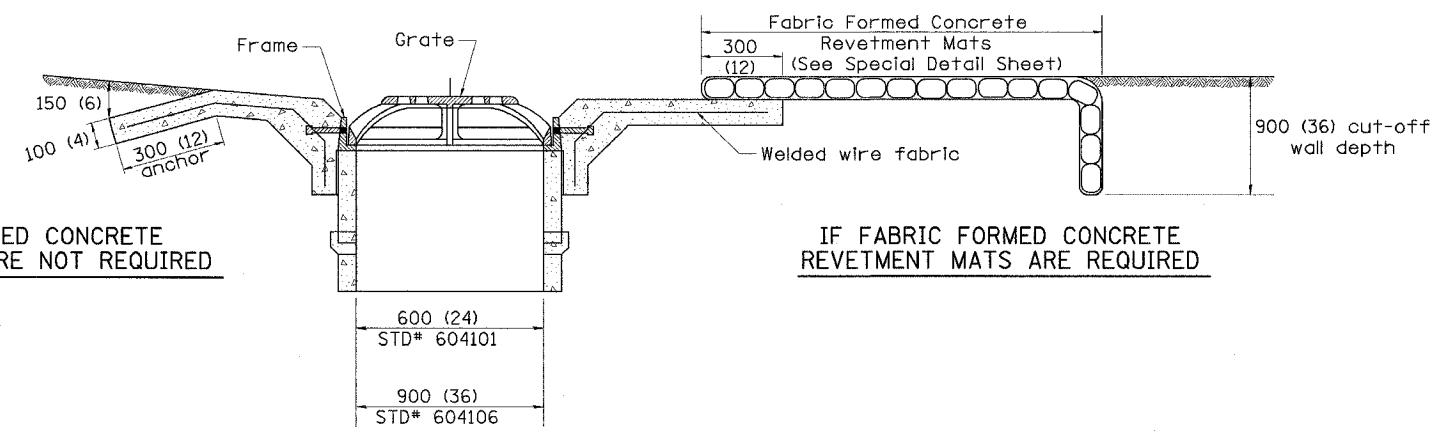


68452

F.A.P. RTE.	SECTION	COUNTY	TOTAL SHEETS	SHEET NO.
315	(55-2)A	MCDONOUGH	55	29
STA.	TO STA.			
FED. ROAD DIST. NO. 4 ILLINOIS FED. AID PROJECT				



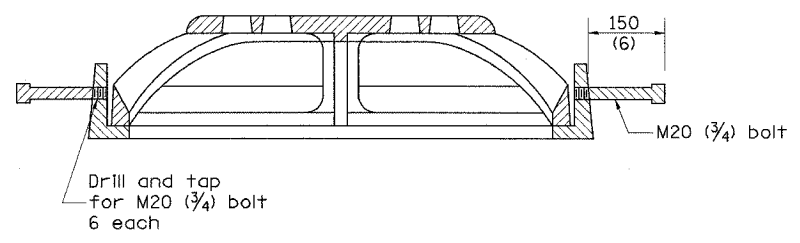
PLAN
(STD# 604101 & 604106)



IF FABRIC FORMED CONCRETE REVETMENT MATS ARE NOT REQUIRED

IF FABRIC FORMED CONCRETE REVETMENT MATS ARE REQUIRED

SECTION B-B
(STD# 604101 & 604106)



SECTION A-A
(STD# 604101 & 604106)

GENERAL NOTES

- The applicable portions of Highway Standards 604101 and/or 604106 shall apply, except as noted herein.

All dimensions are in millimeters (inches) unless otherwise noted.

ILLINOIS DEPARTMENT OF TRANSPORTATION	
DISTRICT CADD STANDARD	
DATE	REVISIONS
1-1-97	RENUM. B-4.09, NEW REVISION BOX, REVISED DESIGNER NOTES.
BY	T.P.
MEDIAN INLET (604101), SPECIAL AND MEDIAN INLET (604106), SPECIAL	
CADD STANDARD 604101-D4	
SCALE NOT TO SCALE	DRAWN BY CADD
DATE **DATE**	CHECKED BY

DATE	REVISIONS	BY
1-1-97	RENUM. B-4.09, NEW REVISION BOX, REVISED DESIGNER NOTES.	T.P.

Designer Notes: 1. This is to be used to supplement Standard 604101 and/or 604106
 2. If fabric formed concrete revetment mats are used, include District CADD drawing.
 3. Include District Special Provision.
 DATE