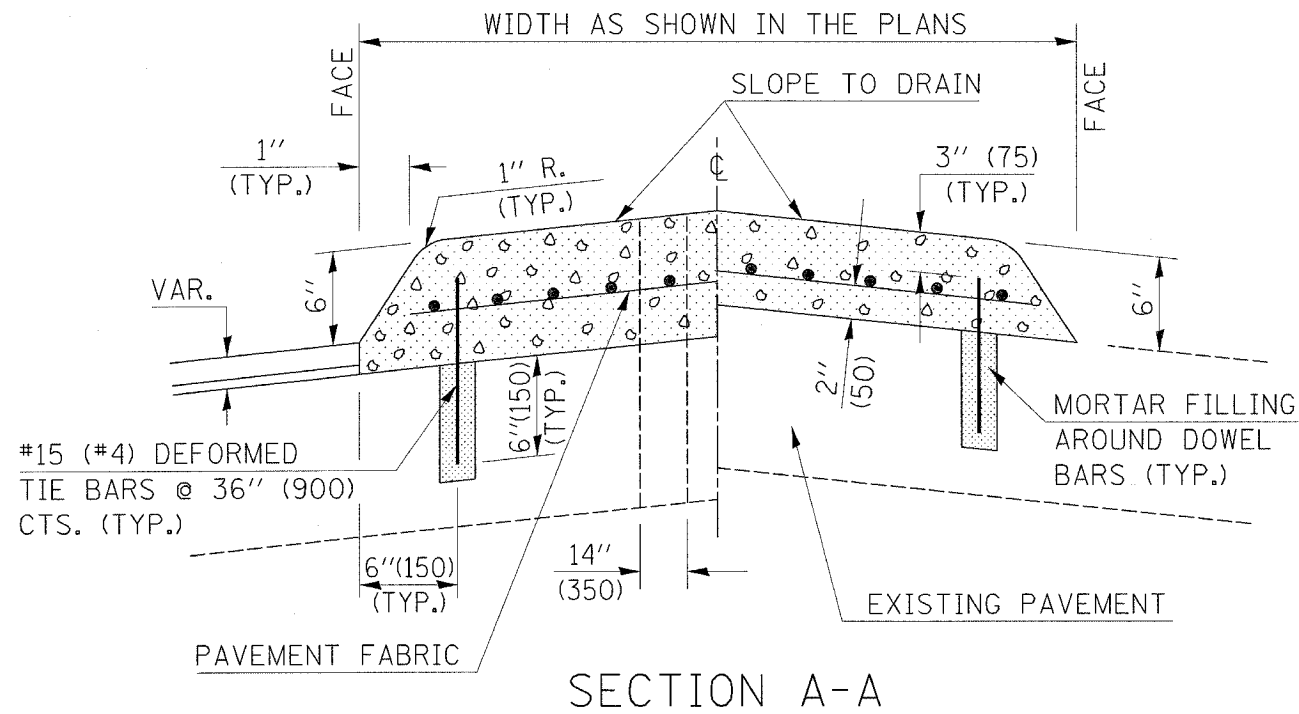


F.A.P. RTE.	SECTION	COUNTY	TOTAL SHEETS	SHEET NO.
804	25R,TS	CHAMPAIGN	19	18

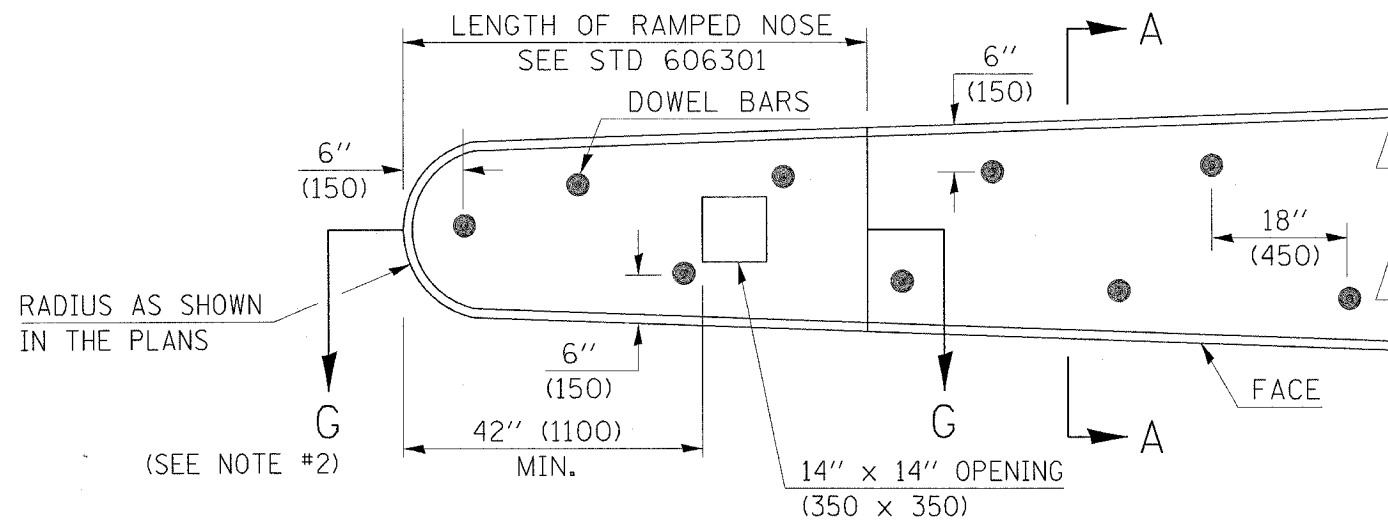
DETAIL OF CONCRETE MEDIAN, TYPE SB-6 (DOWELED)

GENERAL NOTES

1. THE GENERAL NOTES FOR STANDARD 606301 SHALL APPLY.
2. SECTION G-G SHALL BE THE SAME AS SHOWN ON STANDARD 606301.
3. DOWEL BARS @ 36" (900) CTS. OR AS DIRECTED BY THE ENGINEER.
4. THIS WORK WILL BE PAID FOR AT THE CONTRACT UNIT PRICE PER SQ FOOT (m²) FOR CONCRETE MEDIAN, TYPE SB-6 (DOWELED), INCLUDING THE COST OF FURNISHING AND INSTALLING THE DOWEL BARS, MORTAR FILLING, PAVEMENT FABRIC AND THE REMOVAL AND DISPOSAL OF THE EXISTING PAVEMENT FOR THE 14" x 14" (350 x 350) OPENING, IF REQUIRED, AND NO ADDITIONAL COMPENSATION WILL BE ALLOWED.



SECTION A-A



PLAN OF MEDIAN

	NAME	DATE	REVISIONS	
DESIGNED	J.M.H.	1-89	NAME	DATE
CHECKED	F.M.S.	1-89	J.Y.B.	06/02
CADD NO.			K.A.G.	06/03

ALL DIMENSIONS ARE IN INCHES (MILLIMETERS) UNLESS OTHERWISE SHOWN.