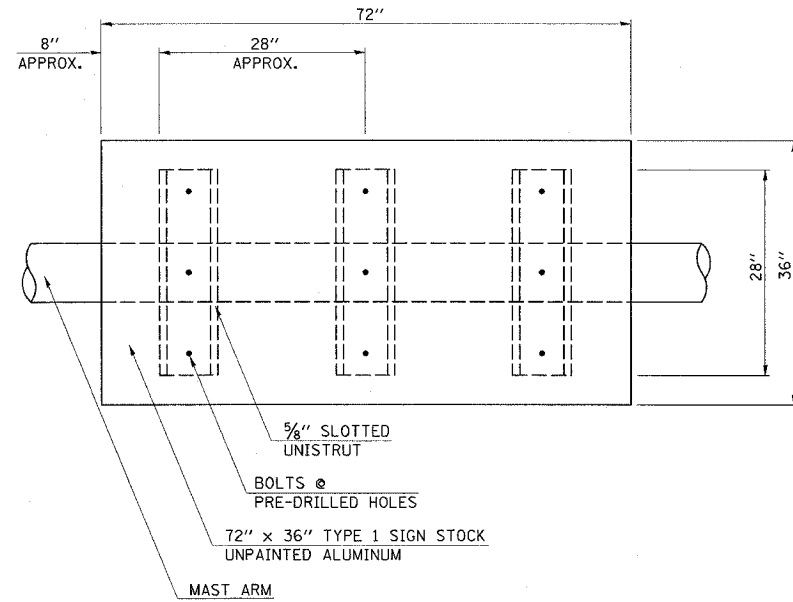


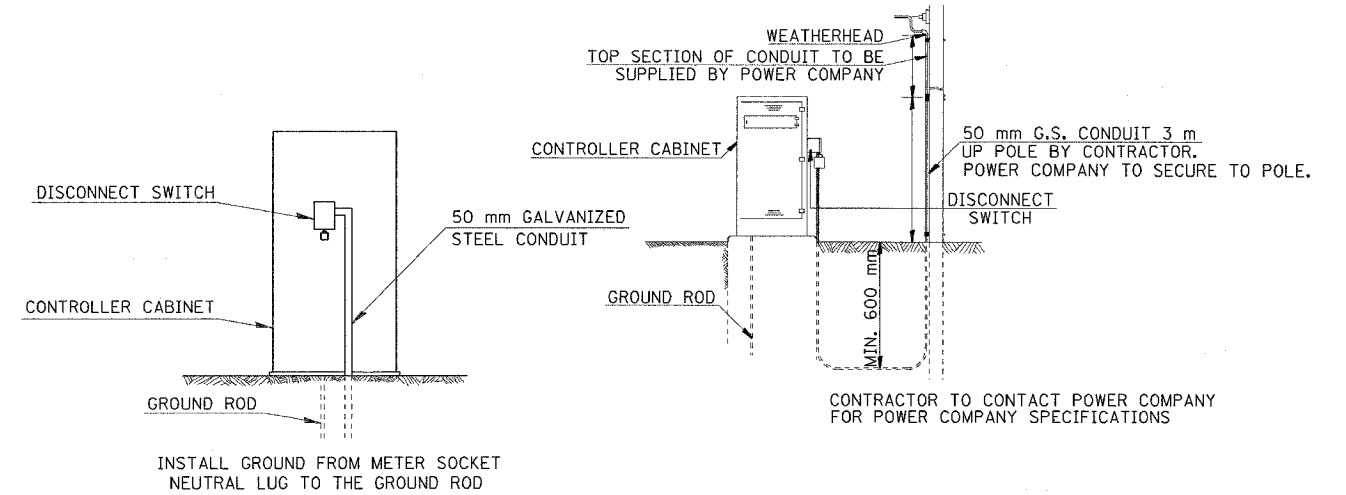
F.A.P. RTE.	SECTION	COUNTY	TOTAL SHEETS	SHEET NO.
804	25R,TS	CHAMPAIGN	19	19

CONTRACT NO. 70476

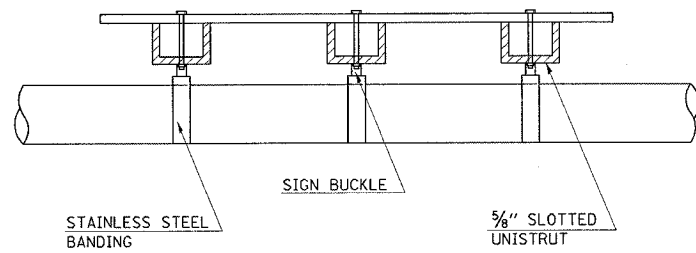
MAST ARM DAMPENING DEVICE MOUNTING DETAIL



PLAN VIEW

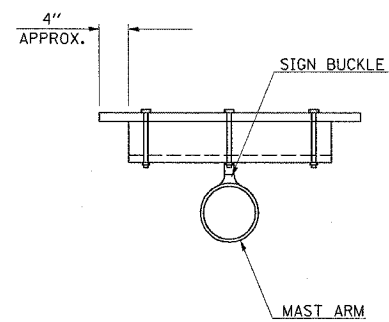


DETAIL OF SERVICE INSTALLATION, TYPE B (MODIFIED)

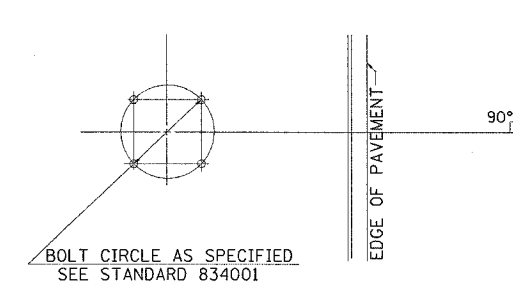


ELEVATION

NOTE: PAINT ENDS OF UNISTRUT WITH SPRAY ON GALVANIZED PAINT



CROSS SECTION



**DETAIL OF MAST ARM FOUNDATION
BOLT PATTERN**