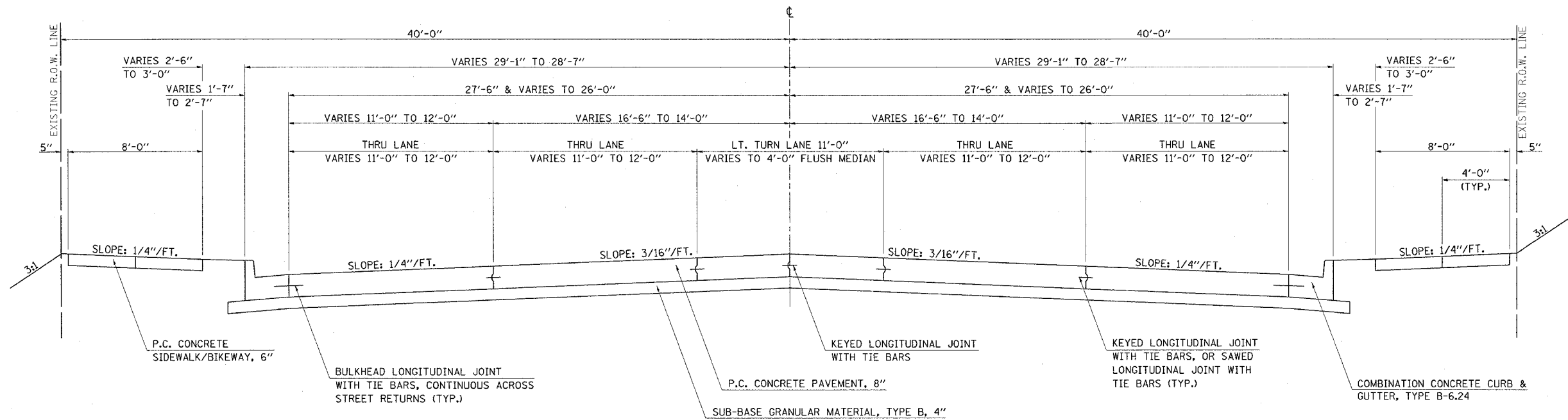


CONTRACT NO. 70476				
F.A.P. RTE.	SECTION	COUNTY	TOTAL SHEETS	SHEET NO.
804	25R,TS	CHAMPAIGN	19	6

### EXISTING TYPICAL CROSS SECTION

WINDSOR ROAD

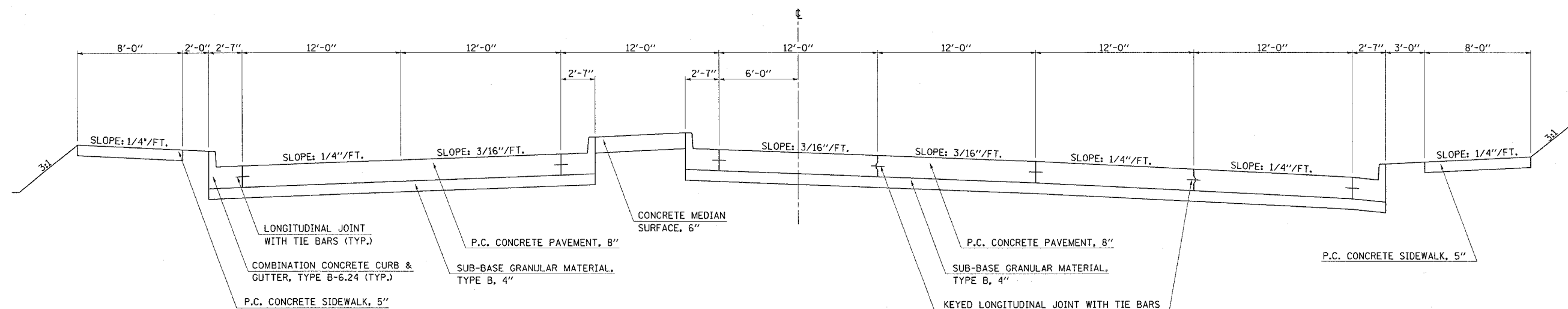
STATION 5+00.00 TO STATION 8+30.00



### EXISTING TYPICAL CROSS SECTION

WINDSOR ROAD

STATION 8+30.00 TO STATION 9+63.00



PLOT DATE = 8/29/2005  
 FILE NAME = 25R,TS.dwg  
 USER NAME = ellanj